

# Inter-M Brake



User's manuals in other languages are available at :  
<http://si.shimano.com>

## IMPORTANT NOTICE

- Contact the place of purchase or a bicycle dealer for information on installation and adjustment of the products which are not found in the user's manual. A dealer's manual for professional and experienced bicycle mechanics is available on our website (<http://si.shimano.com>).
- Do not disassemble or alter this product.

**For safety, be sure to read this user's manual thoroughly before use, and follow them for correct use.**

## Important Safety Information

Guidelines that require replacement, contact the place of purchase or a bicycle dealer.

### WARNING

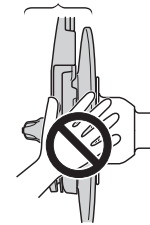
- It is important to completely understand the operation of your bicycle's brake system. Improper use of your bicycle's brake system may result in a loss of control or a fall, which could lead to severe injury. Because each bicycle may handle differently, be sure to learn the proper braking technique (including brake lever pressure and bicycle control characteristics) and operation of your bicycle. This can be done by consulting your professional bicycle dealer and the bicycle's owners manual, and by practicing your riding and braking technique.
- If the front brake is applied too strongly, the wheel may lock and the bicycle may fall forward, and serious injury may result.
- The hub of the Shimano front Inter-M brake has a built-in power modulator. This system controls the braking force so that excessive force is not applied if the braking force reaches the specified value. If the hub is not equipped with the power modulator, the braking force may be excessively applied. For this reason, we recommend using the Shimano front Inter-M brake and the hub as a set. Noise is generated by the operation of the power modulator when the brake is applied, but this is not a sign of a malfunction.
- Always make sure that the front and rear brakes are working correctly before you ride the bicycle.
- If the road surface is wet, the tires will skid more easily. If the tires skid, you may fall off the bicycle. To avoid this, reduce your speed and apply the brakes early and gently.
- After reading the user's manual carefully, keep it in a safe place for later reference.

### CAUTION

- When using the Shimano Inter-M brake system, avoid continuous application of the brakes when riding down long slopes, as this will cause the internal brake parts to become very hot, and this may weaken braking performance. It may also cause a reduction in the amount of brake grease inside the brake, and this can lead to problems such as abnormally sudden braking. The design of the Shimano Inter-M brake system has been carried out based on standards such as ISO 4210 and DIN 79100-2. These standards specify the performance for an overall weight of 100 kg. However, BR-IM86-F is designed with the overall weight assumed to be 130kg. If the overall weight exceeds 100 kg (130kg for BR-IM86-F), the braking force provided by the system may be insufficient for correct braking, and durability of the system may also be reduced.
- If any of the following occur while using the brakes, stop riding immediately and ask the place of purchase to carry out inspection and repairs.
  - 1) If abnormal noise is heard when the brakes are applied
  - 2) If braking force is abnormally strong
  - 3) If braking force is abnormally weak

In the case of 1) and 2), the cause might be not enough brake grease, so ask the place of purchase to grease the mechanism with special roller brake grease.
- If the brakes are used frequently, the components around the brake may become hot. Do not touch the components for at least 30 minutes after you finish riding the bicycle.

Components around the brake



- If the brake cable becomes rusted, braking performance will suffer. If this happens, replace the brake cable with a genuine Shimano brake cable and re-check the braking performance.
- The front brake unit, front hub units should never be disassembled. If they are disassembled, it will no longer work properly.

### Note

- If you apply the front Inter-M brake strongly while the bicycle is stopped and then shake the wheel, you will notice that there is a small amount of play in the brakes. This is normal, and will not cause any problems at all while riding.
- Products are not guaranteed against natural wear and deterioration from normal use and aging.
- For maximum performance we highly recommend Shimano lubricants and maintenance products.

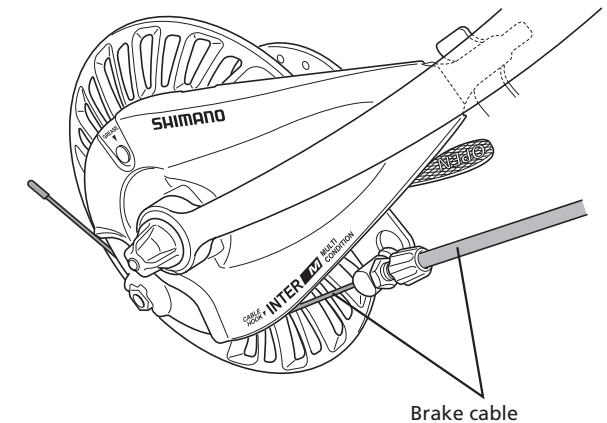
## Regular inspections before riding the bicycle

Before riding the bicycle, check the following items. If any problems are found with the following items, contact the place of purchase or a bicycle dealer.

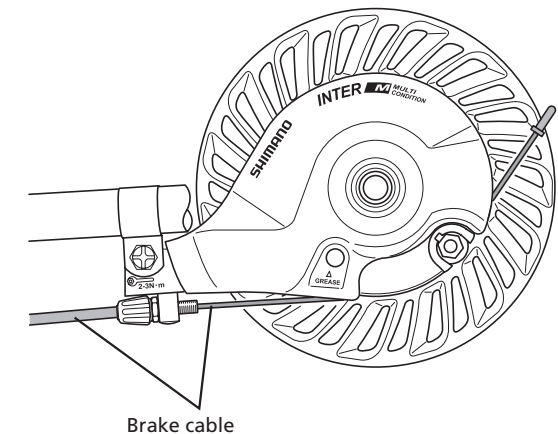
- Do the front and rear brakes work correctly?
- Are there any abnormal noises?
- Is the braking force abnormally strong?
- Is the braking force abnormally weak?
- Is there rust on the brake cable?

## Names of parts

< Front >



< Rear >



# SHIMANO

SHIMANO AMERICAN CORPORATION  
One Holland, Irvine, California 92618, U.S.A. Phone: +1-949-951-5003

SHIMANO EUROPE B.V.  
Industrieweg 24, 8071 CT Nunspeet, The Netherlands Phone: +31-341-272222

SHIMANO INC.  
3-77 Oimatsu-cho, Sakai-ku, Sakai-shi, Osaka 590-8577, Japan

Please note: specifications are subject to change for improvement without notice. (English)  
© Feb. 2014 by Shimano Inc. HTR