

Switch Unit



User's manuals in other languages are available at :
<http://si.shimano.com>

IMPORTANT NOTICE

- Contact the place of purchase or a bicycle dealer for information on installation and adjustment of the products which are not found in the user's manual. A dealer's manual for professional and experienced bicycle mechanics is available on our website (<http://si.shimano.com>).
- Do not disassemble or alter this product.

For safety, be sure to read this user's manual thoroughly before use, and follow it for correct use.

Important Safety Information

For replacement information, contact the place of purchase or a bicycle dealer.

WARNING

- After reading the user's manual carefully, keep it in a safe place for later reference.

Note

- This is a small waterproof connector. Do not keep connecting and disconnecting the small waterproof connector. It may impair the function.
- The components are designed to be fully waterproof and withstand wet weather riding conditions; however, do not deliberately place them into water.
- Do not clean the bicycle in a high-pressure car wash. If water gets into any of the components, operating problems or rusting may result.
- Handle the products carefully, and avoid subjecting them to strong shock.
- Be careful not to let water get into the E-TUBE port.
- Do not use thinners or similar substances to clean the products. Such substances may damage the surfaces.
- Contact the place of purchase for updates of the product software. The most up-to-date information is available on the Shimano website.
- Products are not guaranteed against natural wear and deterioration from normal use and aging.
- For maximum performance we highly recommend Shimano lubricants and maintenance products.

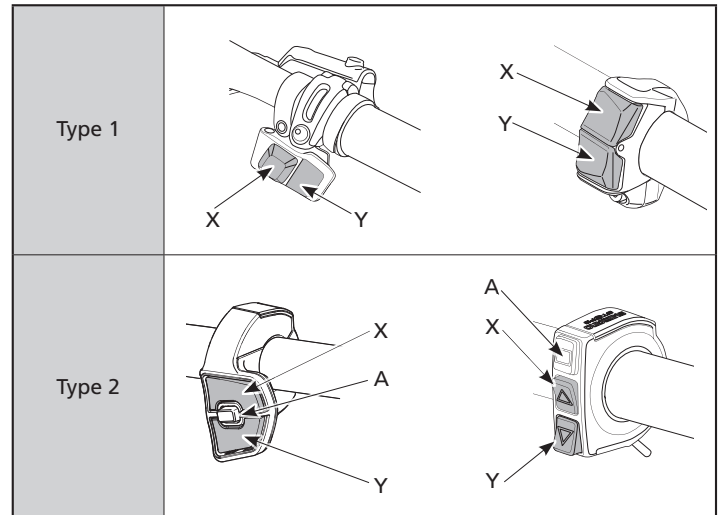
This device complies with part 15 of the FCC Rules. Operation is subject to the following two conditions:
 (1) This device may not cause harmful interference, and (2) this device must accept any interference received, including interference that may cause undesired operation.

Regular inspections before riding the bicycle

Before riding the bicycle, check the following items. If any problems are found with the following items, contact the place of purchase or a bicycle dealer.

- Can it be operated smoothly?
- Is the switch unit securely attached to the handlebar?
- Do any abnormal noises occur during operation?

Names of parts



Switch functions

Switch	Function assignment	Operation
X	Gear shifting	Shifts up each time pressed.
	Assist	Increases assist strength each time pressed.
Y	Gear shifting	Shifts down each time pressed.
	Assist	Decreases assist strength each time pressed.
A	Gear shifting mode switch	Switches between auto and manual gear shifting.
	Display switch	Switches the cycle computer display.

- Default values are listed above. The functions assigned to each switch can be changed.
- Actual behavior may differ depending on the connected components and software version.
- Depending on the model used, settings may need to be changed before use.
- When used as a shifting switch, it can be set to multi shift mode (which shifts between multiple gears) by holding the button down.
- For change of the switch unit setting, ask the shop where purchased.

SHIMANO

SHIMANO NORTH AMERICA BICYCLE, INC.

One Holland, Irvine, California 92618, U.S.A. Phone: +1-949-951-5003

SHIMANO EUROPE B.V.

High Tech Campus 92, 5656 AG Eindhoven, The Netherlands Phone: +31-402-612222

SHIMANO INC.

3-77 Oimatsu-cho, Sakai-ku, Sakai-shi, Osaka 590-8577, Japan

Please note: specifications are subject to change for improvement without notice. (English)
 © Mar. 2018 by Shimano Inc. ITP