

Wireless Unit (EW-WU111)



User's manuals in other languages are available at :
<http://si.shimano.com>

IMPORTANT NOTICE

- Contact the place of purchase or a bicycle dealer for information on installation and adjustment of the products which are not found in the user's manual. A dealer's manual for professional and experienced bicycle mechanics is available on our website (<http://si.shimano.com>).
- Do not disassemble or alter this product.
- The Bluetooth® word mark and logos are registered trademarks owned by the Bluetooth SIG, Inc. and any use of such marks by SHIMANO INC. is under license. Other trademarks and trade names are those of their respective owners.

For safety, be sure to read this user's manual thoroughly before use, and follow them for correct use.

Important Safety Information

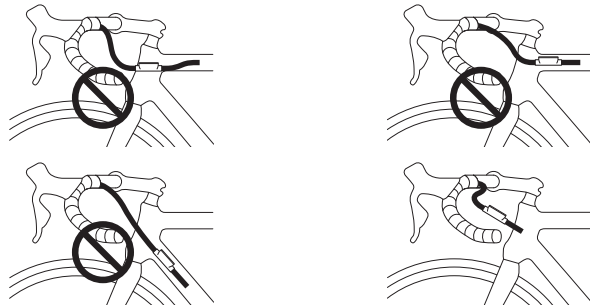
For replacement information, contact the place of purchase or a bicycle dealer.

WARNING

- After reading the user's manual carefully, keep it in a safe place for later reference.

Note

- This is a small waterproof connector. Do not repeat connecting and disconnecting it. It may impair the function.
- The components are designed to be fully waterproofed to withstand wet weather riding conditions; however, do not deliberately place them into water.
- Do not clean the bicycle in a high-pressure car wash. If water gets into any of the components, operating problems or rusting may result.
- Handle the products carefully, and avoid subjecting them to any strong shocks.
- Do not position the unit on the side of the bicycle frame, as in the illustrations. If the bicycle collapses, damage to the unit may result if the unit is caught between the bicycle frame and curbstones etc.



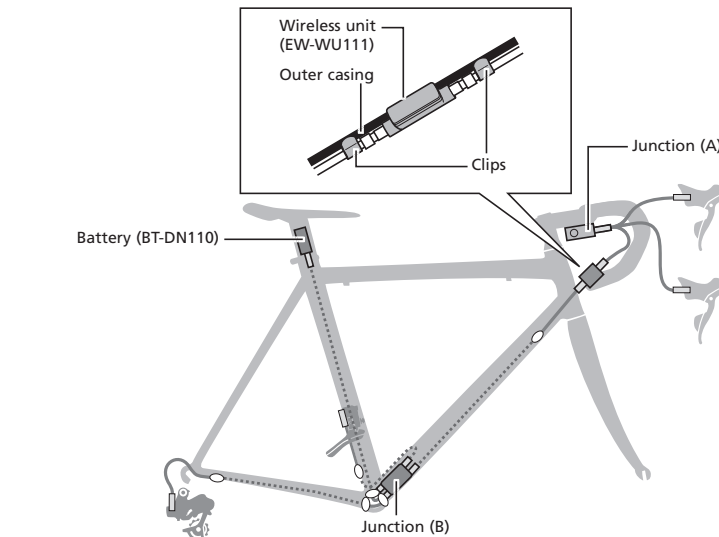
- Contact the place of purchase for updates of the product software. The most up-to-date information is available on the Shimano website.
- Do not use thinners or similar substances to clean the products. Such substances may damage the surfaces.
- Be careful not to let water get into the terminal.
- Store in a safe place out of the reach of small children to avoid letting them swallow by mistake.
- 2.4GHz digital wireless system
2.4GHz-frequency digital wireless technology, which is the same technology used for wireless LAN. However, in a very rare occasions, objects and places may generate strong electromagnetic, waves and interference, which may result in incorrect measurement.
 - * Television, PC, radios, motors/engines, or in car and trains.
 - * Railroad crossings and near railway tracks, around television transmitting stations and radar bases.
 - * Other wireless computers or digitally controlled light.
- Disconnect Bluetooth LE when not using E-TUBE PROJECT for smartphones/tablets. Using the wireless unit without disconnecting Bluetooth LE may result in high battery power consumption.
- Products are not guaranteed against natural wear and deterioration from normal use and aging.
- For maximum performance we highly recommend Shimano lubricants and maintenance products.

Regular inspections before riding the bicycle

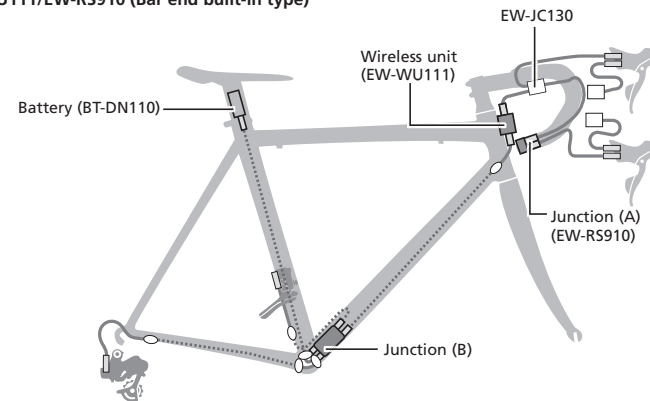
Before riding the bicycle, check the following items. If any problems are found with the following items, contact the place of purchase or a bicycle dealer.

- Is the wireless unit securely attached to the outer casing with clips?
- Is there sufficient charge remaining in the battery?
- Is there any noticeable damage to the electric wires?
- Are the clips cracked or damaged?

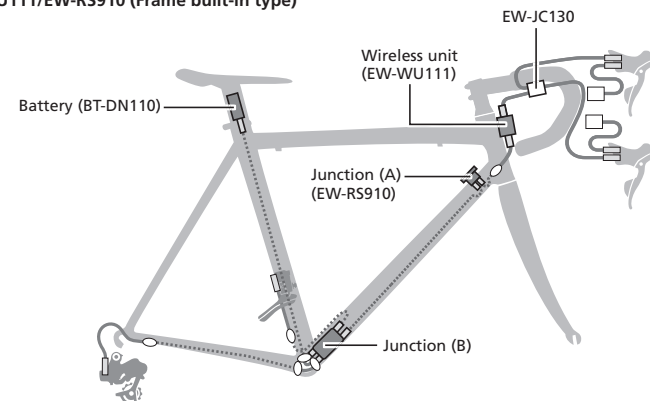
Names of parts



EW-WU111/EW-RS910 (Bar end built-in type)



EW-WU111/EW-RS910 (Frame built-in type)



Functions

ANT connection

The wireless unit transmits the following three types of information to compatible cycle computers or receivers.

- 1) Number of gears (front, rear)
- 2) D12 battery level
- 3) Adjustment mode information

For information on which of the above types of information is to be displayed, refer to the manual for your cycle computer or receiver.

* The latest functions can be checked by updating the software via E-TUBE PROJECT. For details, consult the place of purchase.

Bluetooth® LE connection

E-TUBE PROJECT for smartphones/tablets may be used if a Bluetooth LE connection is established with a smartphone/tablet.

When using the wireless unit, combine it with one of the following units.
External type: BM-DN100, Built-in type: BT-DN110

How to make connections

ANT connection

To make a connection, the cycle computer needs to be in connection mode. For information on how to put the cycle computer into connection mode, refer to the manual for the cycle computer.

- 1) Put the cycle computer into connection mode.
- 2) ■When using an external battery
Check that the electric wires are connected to the wireless unit. Then, remove and remount the external battery.
■When using a built-in battery
Check that the electric wires are connected to the wireless unit. Then, remove the electric wires (two wires) from the wireless unit and reconnect them.
(Connection transmission begins about 30 seconds after the battery is remounted or the electric wires are reconnected to the wireless unit.)
- 3) This completes the connection process.

Check on the cycle computer to see if connection was successful.

If a connection cannot be made in the way described above, refer to the manual for your cycle computer.

For information on how to show the number of gears or the D12 battery level, refer to the manual for the cycle computer.

Bluetooth® LE connection

Before setting up a connection, turn on Bluetooth LE on the smartphone/tablet.

- 1) Open E-TUBE PROJECT and set it to listen for Bluetooth LE signals.
- 2) **Setting up via information display**
Press the mode switch until "C" appears on the display. The cycle computer will begin signal transmission. The unit name displays in E-TUBE PROJECT.



Setting up via junction A

Press the button on junction (A) until the green LED and red LED begin to blink alternately. The unit on the bicycle will begin signal transmission. The unit name displays in E-TUBE PROJECT.

- 3) Select the unit name displayed on screen.
- * To disconnect, cancel the Bluetooth LE connection from the smartphone/tablet. (The cycle computer will exit connection mode and return to regular operation mode.)

Specifications

Frequency band	2,402 – 2,480 MHz
Maximum radio-frequency power	+4 dBm
Firmware version	4.1.1 –

SHIMANO

SHIMANO AMERICAN CORPORATION
One Holland, Irvine, California 92618, U.S.A. Phone: +1-949-951-5003

SHIMANO EUROPE B.V.
High Tech Campus 92, 5656 AG Eindhoven, The Netherlands Phone: +31-402-612222 3-77 Oimatsu-cho, Sakai-ku, Sakai-shi, Osaka 590-8577, Japan

SHIMANO INC.

Please note: specifications are subject to change for improvement without notice. (English)
© Jun. 2017 by Shimano Inc. ITP