

## General Safety Information

### **⚠ WARNING** – To avoid serious injuries:

- Be sure to attach reflectors to the bicycle when riding at night. Do not continue riding the bicycle if the reflectors are dirty or damaged, otherwise it becomes more difficult for oncoming vehicles to see you.
- If you have any questions concerning your pedals, contact a professional dealer.
- Read these Technical Service Instructions carefully, and keep them in a safe place for later reference.

### **NOTE:**

Products are not guaranteed against natural wear and deterioration from normal use and aging.

SI-PD63A-003

# SM-PD63

## Reflector

## Technical Service Instructions

### **Note:**

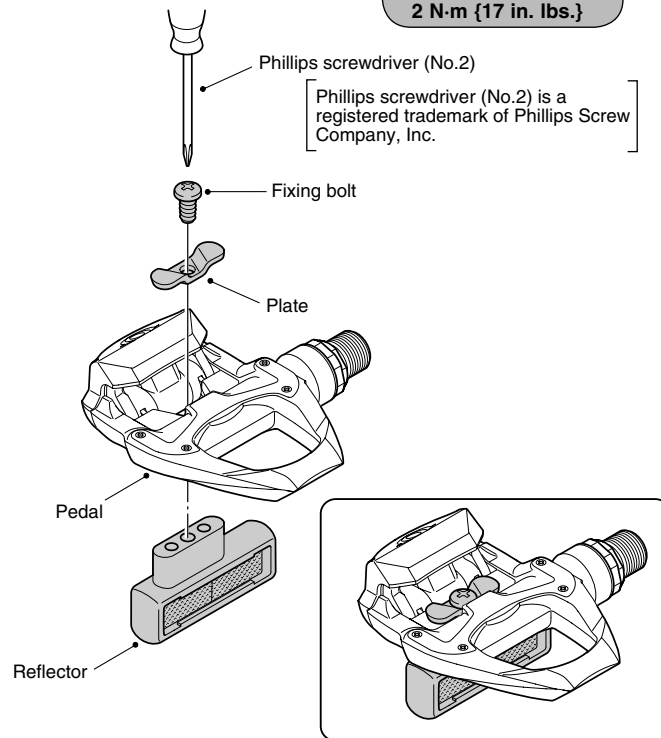
- SM-PD63 is for use with PD-7900/PD-6700-C/PD-9000 only.
- The right and left reflectors must be installed on the respective right and left pedals.

## Installation

Position the reflector on the pedal as shown in the illustration. Secure the reflector with the fixing bolt and plate provided.

\* The illustration shows how to install the reflector on the right pedal.

**Tightening torque:  
2 N·m {17 in. lbs.}**



\* Service Instructions in further languages are available at :  
<http://si.shimano.com>

Please note: Specifications are subject to change for improvement without notice. (English)

# SHIMANO

SHIMANO AMERICAN CORPORATION

One Holland, Irvine, California 92618, U.S.A. Phone: +1-949-951-5003

SHIMANO EUROPE B.V.

Industrieweg 24, 8071 CT Nunspeet, The Netherlands Phone: +31-341-272222

SHIMANO INC.

3-77 Oimatsu-cho, Sakai-ku, Sakai-shi, Osaka 590-8577, Japan