

# SM-MA-R160D / D

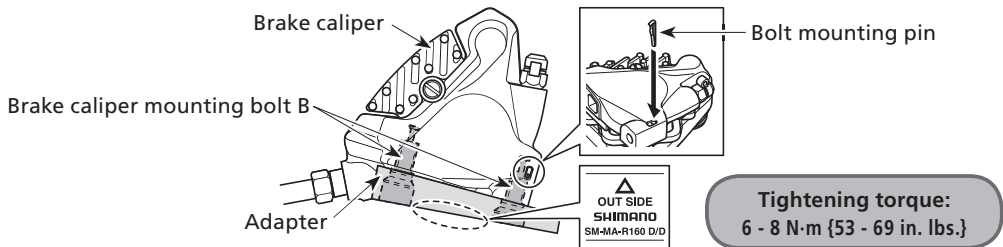
## Disc brake mount adapter (for 160 mm rotor)

Place the adapter onto the brake caliper as shown in the illustration, and then install the adapter to the frame.

### 1. Attach the adapter to the brake caliper.

#### Note:

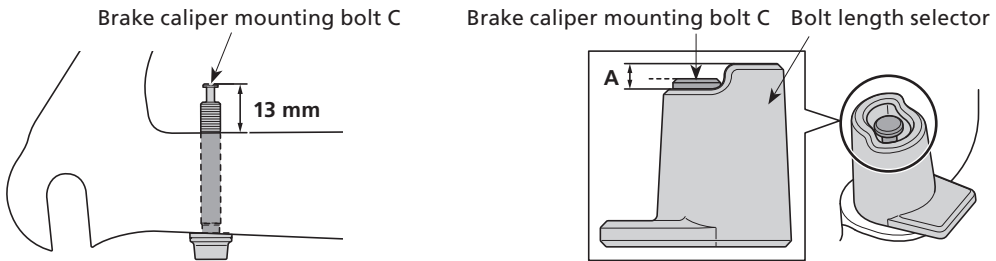
- Observe the direction indicated on the adapter when installing it.
- After installing the adapter using the brake caliper mounting bolt B, to prevent it from falling out, be sure to install the bolt mounting pin.



### 2. Insert the brake caliper mounting bolt C into the frame mount area, and make sure that the length of the protruding part is 13 mm.

#### Note:

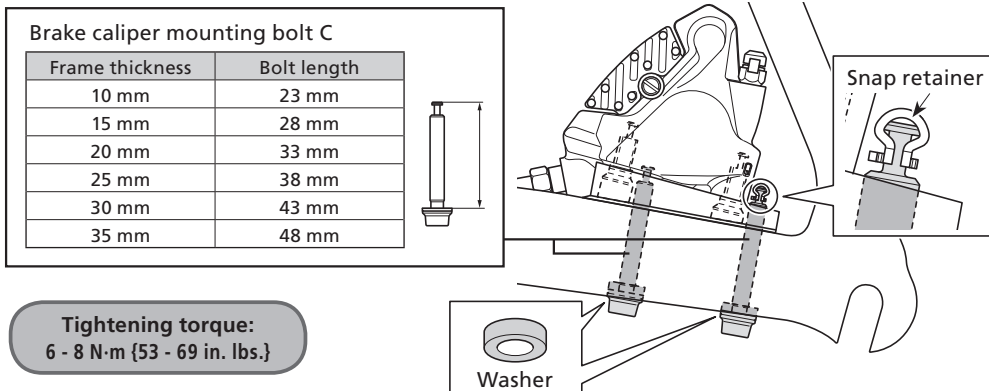
- When using a bolt length selector, make sure that the tip of the brake caliper mounting bolt C fits within range A.
- When checking the length of the brake caliper mounting bolt C, do not use a washer.



### 3. Attach the adapter to the frame.

#### Note:

- Be sure to use the washers when installing the adapter.
- Be sure to attach the snap retainer when attaching the brake caliper mounting bolts C to prevent them from falling out.



# SHIMANO

SHIMANO AMERICAN CORPORATION  
One Holland, Irvine, California 92618, U.S.A.  
Phone: +1-949-951-5003

SHIMANO EUROPE B.V.  
Industrieweg 24, 8071 CT Nunspeet, The Netherlands  
Phone: +31-341-272222

SHIMANO INC.  
3-77 Oimatsu-cho, Sakai-ku, Sakai-shi,  
Osaka 590-8577, Japan

Please note: specifications are subject to change for improvement without notice. (English) © May 2015 by Shimano Inc. HTR