

## WARNING

- Obtain, read and carefully service instructions when installing parts. A loose, worn, or damaged parts may cause injury to the rider. We strongly recommend that only genuine Shimano replacement parts be used.

## CAUTION

- When installing the front chainwheel, check that the serrations of the crank arm and bottom bracket spindle are meshed while the fixing bolts and caps removed. After checking this, tighten the fixing bolts. If you tighten the fixing bolts without checking the above, the crank arm serrations may become damaged.

## SERVICE INSTRUCTIONS

SI-1EF0C

# FC-7701 FC-7703

## Front Chainwheel

Before use, read these instructions carefully, and follow them for correct use.

## Product specifications

Bolt circle diameter	130 mm		130 / 90 mm
Front chainwheel tooth configuration*	FC-7701 For road bicycles	FC-7701 For triathlon bicycles	FC-7703
	A-53 / 42T B-53 / 39T B-52 / 39T	54 / 42T 55 / 42T 56 / 44T	D53 / 39 / 30T
	Crank length		
165 mm, 167.5 mm, 170 mm, 172.5 mm, 175 mm, 177.5 mm, 180 mm			
Pedal threads	B.C. 9/16" x 20T.P.I. (English thread)		
Applicable chain	CN-7701		
Applicable bottom bracket	BB-7701	BB-7703	

# SHIMANO®

These service instructions are printed on recycled paper.

**SHIMANO AMERICAN CORPORATION**  
One Holland Irvine CA 92618 U.S.A. Phone 949-951-5003

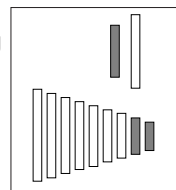
**SHIMANO EUROPA**  
Industrieweg 24 NL-8071 CT Nunspeet Holland Phone 31-341-272222

**SHIMANO INC.**  
77 Oimatsu-cho 3-cho Sakai Osaka 590-8577 Japan Phone 0722-23-3243

Please note: specifications are subject to change for improvement without notice. (English)  
© May, 2001 by Shimano Inc. XBC SZK Printed in Japan

## Note

- \*The available chainrings include the FC-7701 (double) for road bicycles, the FC-7701 (triple) for triathlon bicycles and the FC-7703 (triple) for road bicycles. Make sure that the chainring combination matches the front chainwheel tooth configuration in the Product specifications table. If other combinations are used, the distance between the chainrings will be incorrect and the chain might slip off and get caught in between them.
- When using the FC-7701, the chain may come into contact with the larger chainring and make noise when it is in the position shown in the illustration.

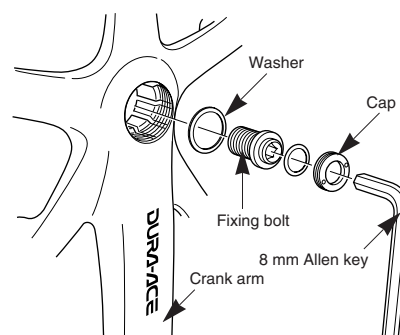


- Be sure to use only the applicable chain and bottom bracket mentioned above.
- For maximum performance we highly recommend Shimano lubricants and maintenance products.
- For any questions regarding methods of handling or maintenance, please contact the place of purchase.

## Installation of the front chainwheel

- Place the crank arm onto the bottom bracket spindle so that the serrations of the crank arm and the spindle are meshed.
- Install the washer and fixing bolt and tighten the fixing bolt.

Tightening torque:  
35 - 50 Nm {305 - 435 in. lbs.}



- Lastly, attach the cap.

Tightening torque:  
5 - 7 Nm {44 - 60 in. lbs.}

## Removal and re-installation of the front chainwheel

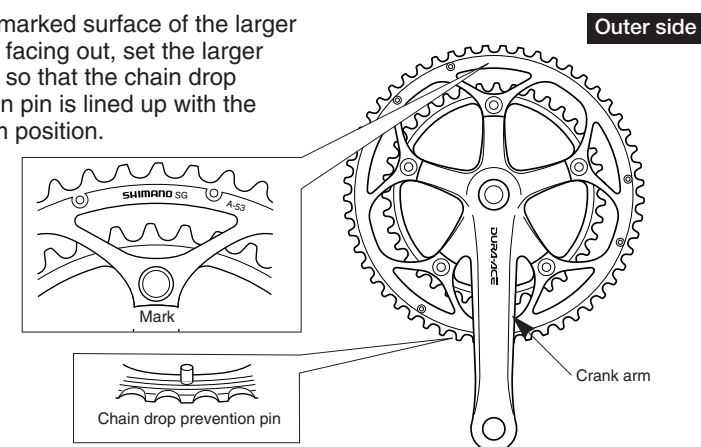
- When removing the crank arm, loosen the fixing bolt by turning it counterclockwise with the cap still attached
- When installing the crank arm, first remove the cap, and then carry out the procedure in "Installation of the front chainwheel".

## Installation of the chainrings

Smooth shifting will not be possible if the chainrings are incorrectly installed, so be sure to install the chainrings in the correct positions.

### <FC-7701>

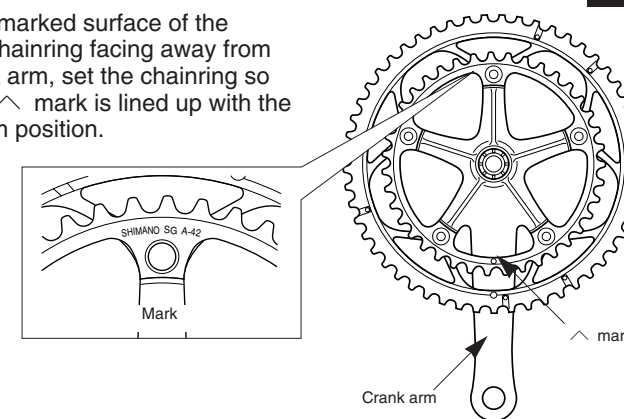
With the marked surface of the larger chainring facing out, set the larger chainring so that the chain drop prevention pin is lined up with the crank arm position.



Outer side

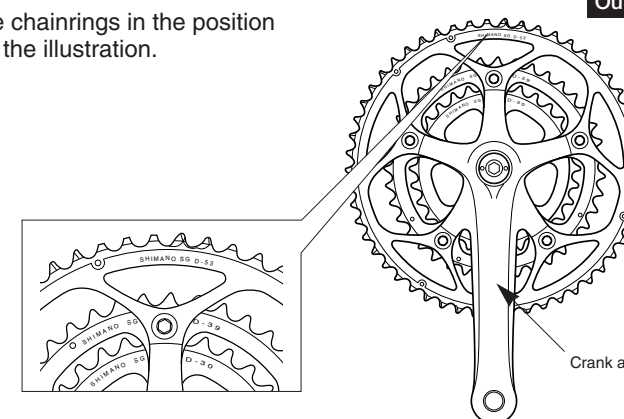
Inner side

With the marked surface of the smaller chainring facing away from the crank arm, set the chainring so that the ^ mark is lined up with the crank arm position.



### <FC-7703>

Install the chainrings in the position shown in the illustration.



Outer side