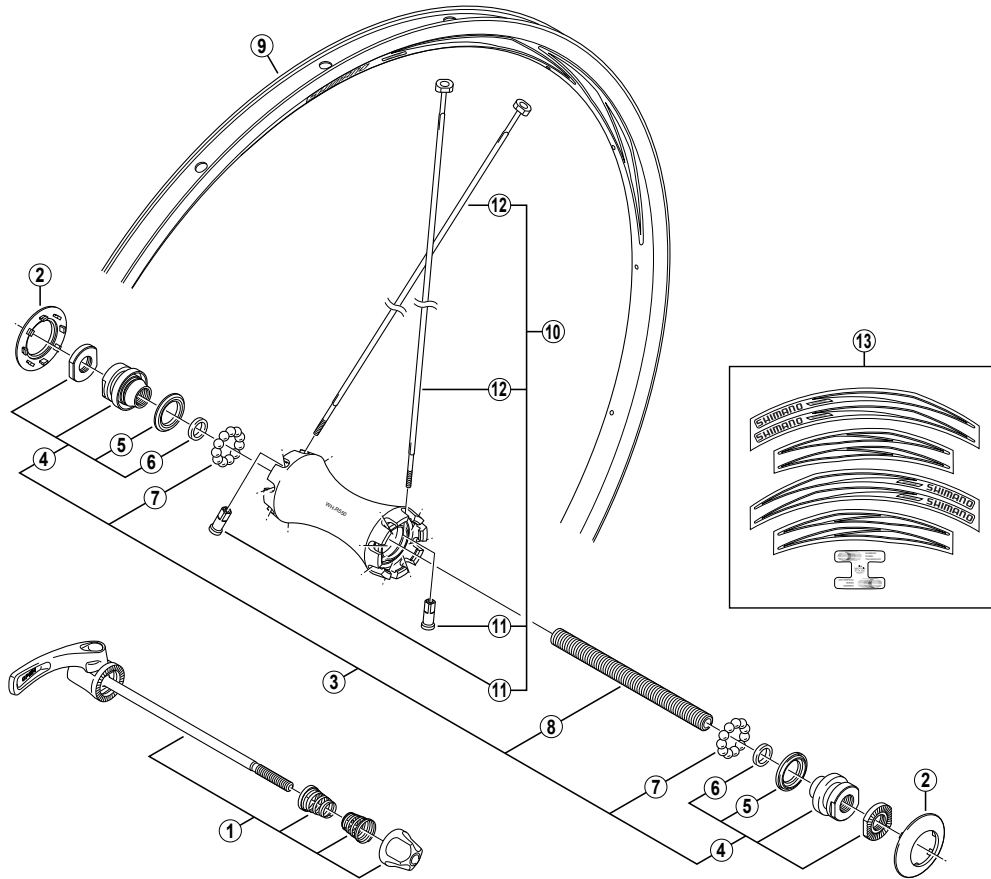


Front Wheel WH-R550-650C-F



• Over Lock Nut Dimension: 100 mm (3-15/16")

ITEM NO.	SHIMANO CODE NO.	DESCRIPTION	INTERCHANGEABILITY
1	Y-22U 90110	Complete Quick Release 133 mm (5-1/4")	A
2	Y-4AC02000	Hub Cap	A
3	Y-4D4 98010	Complete Hub Axle 108 mm (4-1/4")	A
4	Y-4D4 98020	Lock Nut Unit	A
5	Y-214 06000	Seal Ring	A
6	Y-2T8 04000	O-Ring	A
7	Y-4BB98030	Steel Ball (3/16") 22 pcs.	A
8	Y-21C 03100	Hub Axle 108 mm (4-1/4")	A
9	E-WHRIMPFGBC6R	Rim {16H / Black / Anodized / Clincher / Rim Sticker: Red}	
	E-WHRIMPFGBC6M	Rim {16H / Black / Anodized / Clincher / Rim Sticker: Monotone}	
10	E-WHSPOKE1MA1	Spoke Unit {Spoke (260 mm x 16 pcs.) / Spoke Washer (16 pcs.) / Nipple (16 pcs.)}	
11	Y-012 Z4200	Nipple	A
12	Y-4D4 98040	Spoke (260 mm) w/Washer	
13	Y-4D4 98050	Rim Sticker Unit (Red)	
	Y-4D4 98060	Rim Sticker Unit (Monotone)	

A: Same parts.

B: Parts are usable, but differ in materials, appearance, finish, size, etc.

Absence of mark indicates non-interchangeability.

WH-R550

0607-2574

Specifications are subject to change without notice.

SHIMANO