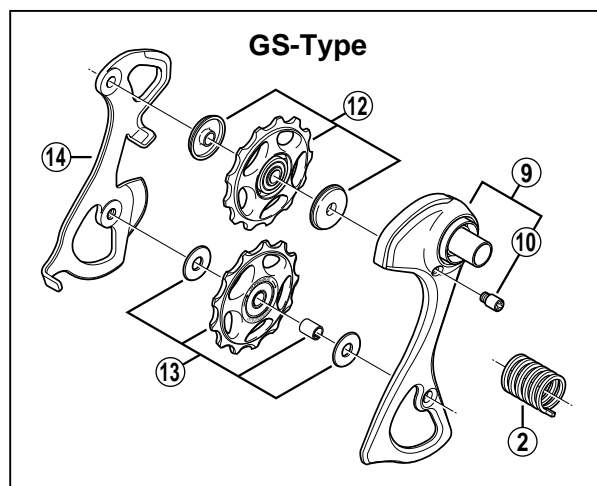
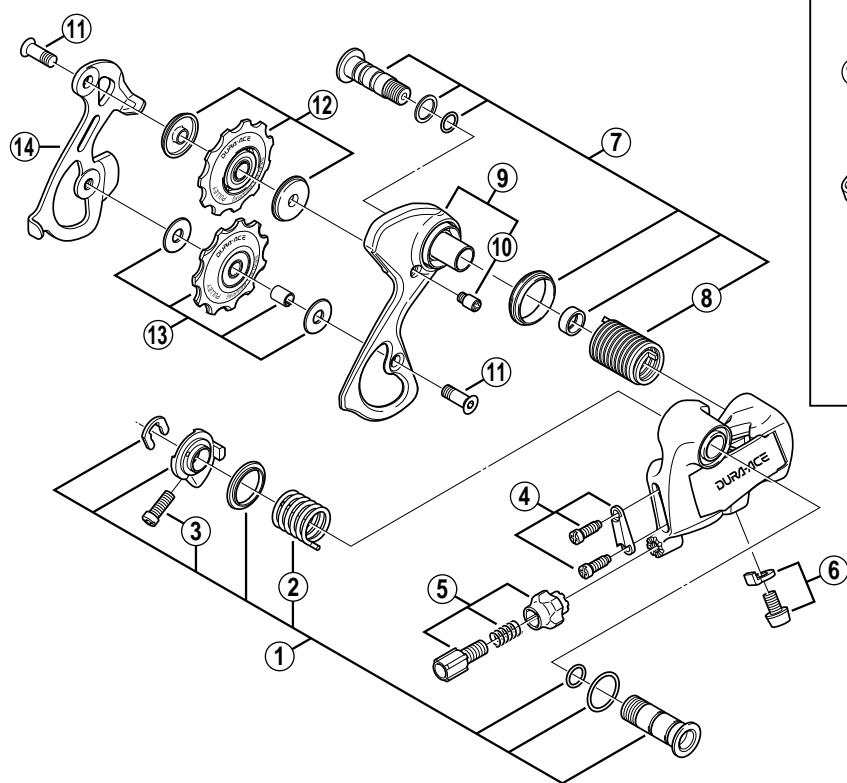


DURA-ACE Rear Derailleur (9-Speed)

**RD-7700-SS** Short Cage

**RD-7700-GS** Long Cage



RD-6500

RD-7402

ITEM NO.	SHIMANO CODE NO.	DESCRIPTION	INTERCHANGEABILITY
1	Y-5TJ 98010	B-Axle Assembly (SS-Type)	B
	Y-5TJ 98110	B-Axle Assembly (GS-Type)	
2	Y-5TJ 27000	B-Tension Spring (SS-Type)	B
	Y-5TJ 30000	B-Tension Spring (GS-Type)	
3	Y-53M 21000	B-Tension Adjusting Screw (M4 x 12)	B
4	Y-5TJ 98020	Stroke Adjusting Screws (M4 x 11.5) & Plate	
5	Y-5TJ 98030	Cable Adjusting Bolt Unit	B B
6	Y-5TJ 98040	Cable Fixing Bolt (M5 x 8) & Plate	
7	Y-5TJ 98050	Plate Axle Assembly	B
8	Y-560 15100	P-Tension Spring	A
9	Y-5TJ 98060	Outer Plate (SS-Type) & Plate Stopper Pin	
	Y-5TJ 98120	Outer Plate (GS-Type) & Plate Stopper Pin	
10	Y-559 19000	Plate Stopper Pin	A
11	Y-53M 24000	Pulley Bolt	A
12	Y-5TJ 98080	Guide Pulley Unit (SS-Type)	
	Y-5TJ 98140	Guide Pulley Unit (GS-Type)	
13	Y-5TJ 98090	Tension Pulley Unit (SS-Type)	
	Y-5TJ 98160	Tension Pulley Unit (GS-Type)	
14	Y-5TJ 08000	Inner Plate (SS-Type)	
	Y-5TJ 09000	Inner Plate (GS-Type)	

A : Same parts.

B : Parts are usable, but differ in materials, appearance, finish, size, etc.

Absence of mark indicates non-interchangeability.

0106-1656A

Specifications are subject to change without notice.

**SHIMANO**<sup>®</sup>



© 2001 by Shimano Inc.