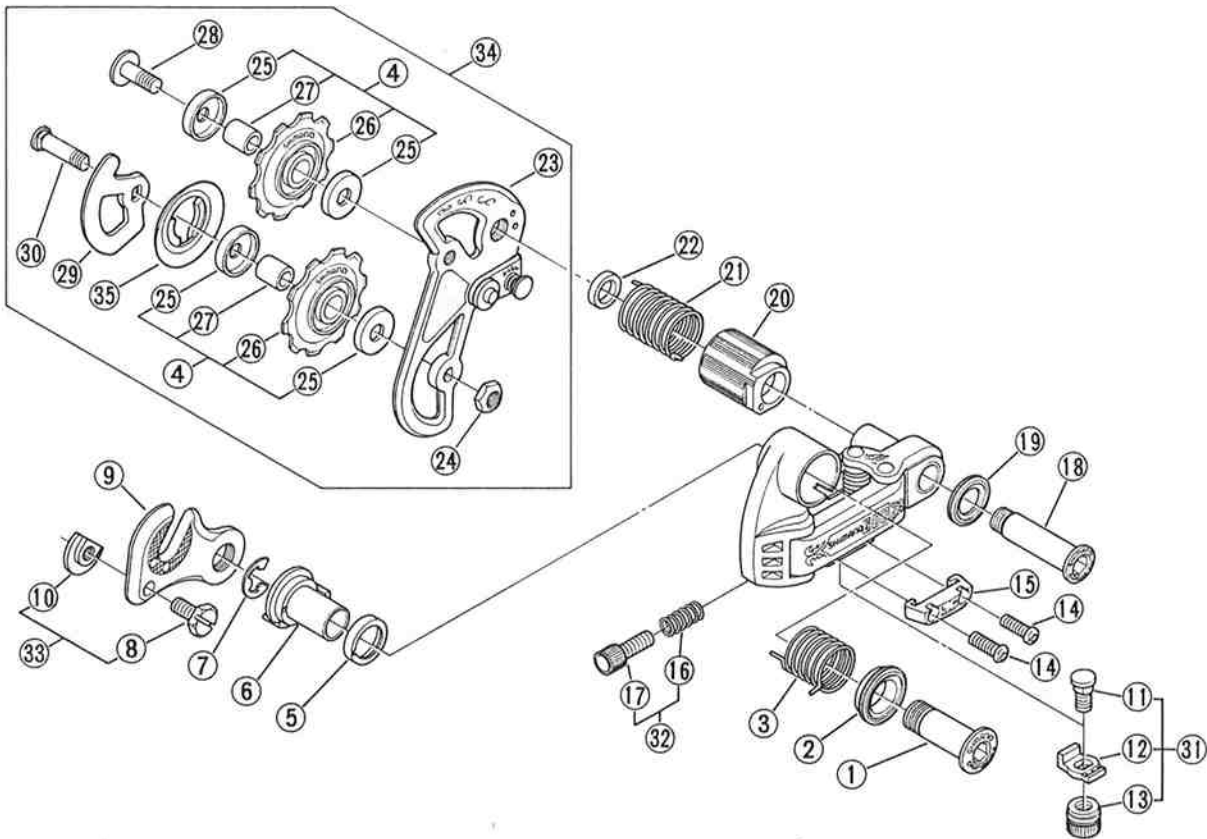


You may photocopy this sheet and use it as an order form.



Model RD-6200 Rear Derailleur SHIMANO 600EX (Short Cage)



ITEM NO.	PART NO.	DESCRIPTION	Q'TY
1	541 0700-1	Adapter Mounting Bolt	
2	541 2201	Adapter Mounting Collar	
3	528 1100	B-Tension Spring	
* 4	3-546 9806	Pulley Unit	
5	541 3500	Adapter Mounting Sleeve	
6	3-541 9004-1	Adapter Bushing	
7	528 1200	Stop Ring (Φ7mm)	
8	000 1104-1	Adapter Screw	
9	541 2701	Adapter	
10	511 3500-1	Adapter Nut	
11	541 3400	Cable Fixing Bolt	
12	541 2300	Cable Fixing Plate	
13	545 2100	Cable Fixing Nut	
14	542 0500	Stroke Adjusting Screw	
15	541 1901	Stroke Adjusting Plate	
16	541 1100	Cable Adjusting Spring	
17	541 1200	Cable Adjusting Barrel	
18	541 0800-1	Plate Mounting Bolt	
19	541 2101	Plate Mounting Collar	
20	541 2601	Spring Cover	
21	541 0900	P-Tension Spring	
22	541 2500	Plate Mounting Bush	
*23	3-542 9012-2	Outer Plate	
24	545 5400	Pulley Nut	
25	511 2701	Pulley Cap	
26	521 3100	Pulley	
27	511 2900	Pulley Bushing	
28	542 1900	Guide Pulley Fixing Screw	
29	542 1501	Inner Plate	
30	534 2200	Tension Pulley Fixing Bolt	
31	3-542 9014	Cable Fixing Bolt Unit	
32	3-541 9002	Cable Adjusting Barrel & Spring	
33	3-525 9069	Adapter Screw & Nut	
34	3-542 9013-1	Pulley Plate Assembly	
*35	534 2500-1	S.B. Cap	