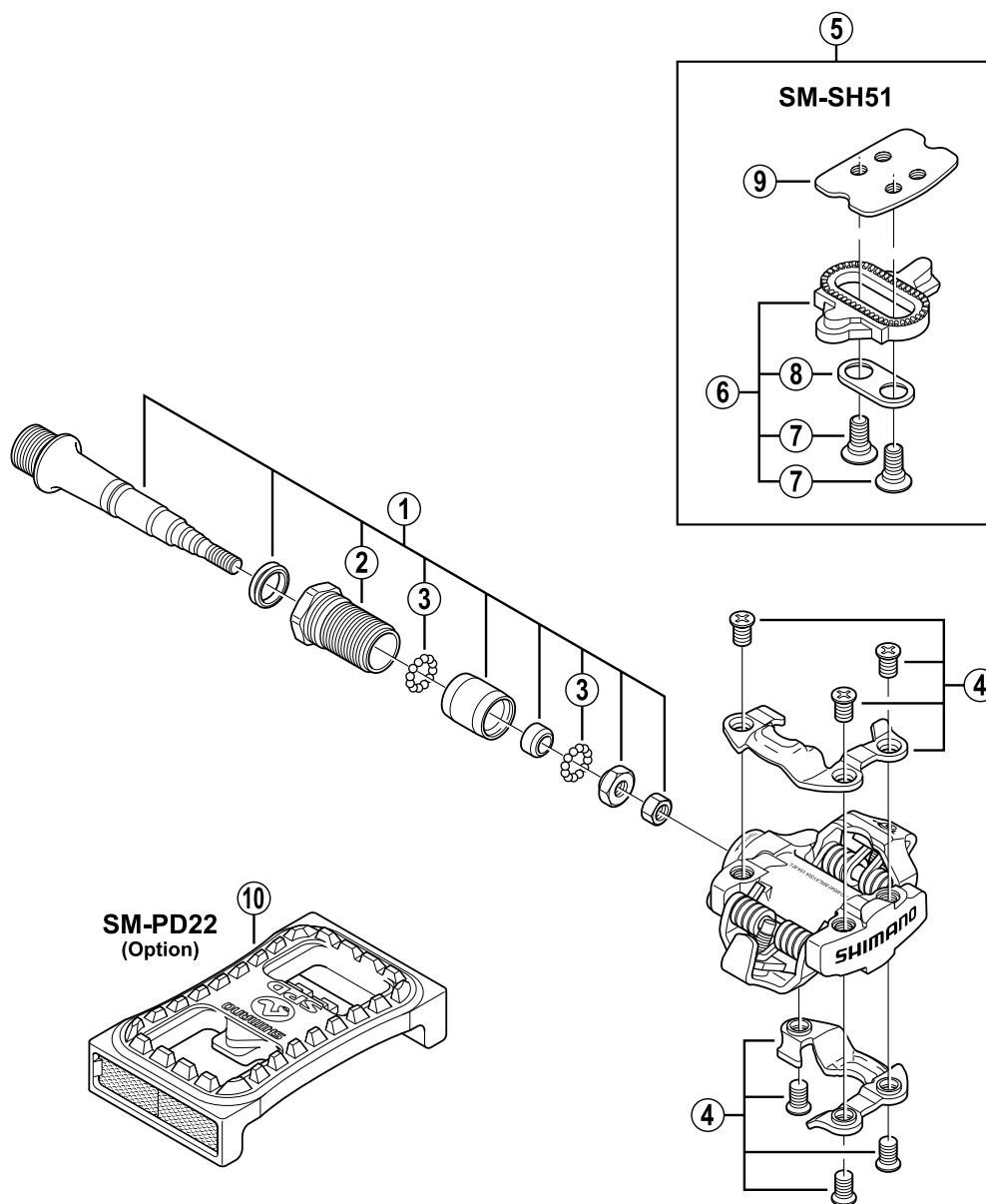


SPD Pedals
PD-M540



Q'TY	ITEM NO.	SHIMANO CODE NO.	DESCRIPTION
	1	Y-45E 98010	Pedal Axle Assembly (Right / B.C. 9/16" x 20T.P.I)
		Y-45E 98020	Pedal Axle Assembly (Left / B.C. 9/16" x 20T.P.I)
	2	Y-45E 98030	Lock Bolt (Right)
		Y-45E 98040	Lock Bolt (Left)
	3	Y-41N 98030	Steel Ball (3/32") 62 pcs.
	4	Y-45D 98010	Body Cover (Right) & Fixing Bolts
		Y-45D 98020	Body Cover (Left) & Fixing Bolts
	5	Y-424 98200	SM-SH51 Cleat Set (Single Release Mode / Pair)
	6	Y-424 98201	SM-SH51 Cleat Set w/o Cleat Nut (Single Release Mode / Pair)
	7	Y-417 04030	Cleat Fixing Bolt (1 pc.)
	8	Y-424 23000	Cleat Adapter (1 pc.)
	9	Y-40N 01000	Cleat Nut (1 pc.)
	10	Y-41R 98070	SM-PD22 Reflector Unit (Pair)
		Y-45C 98040	SM-PD22 Reflector Unit (AS / Pair)