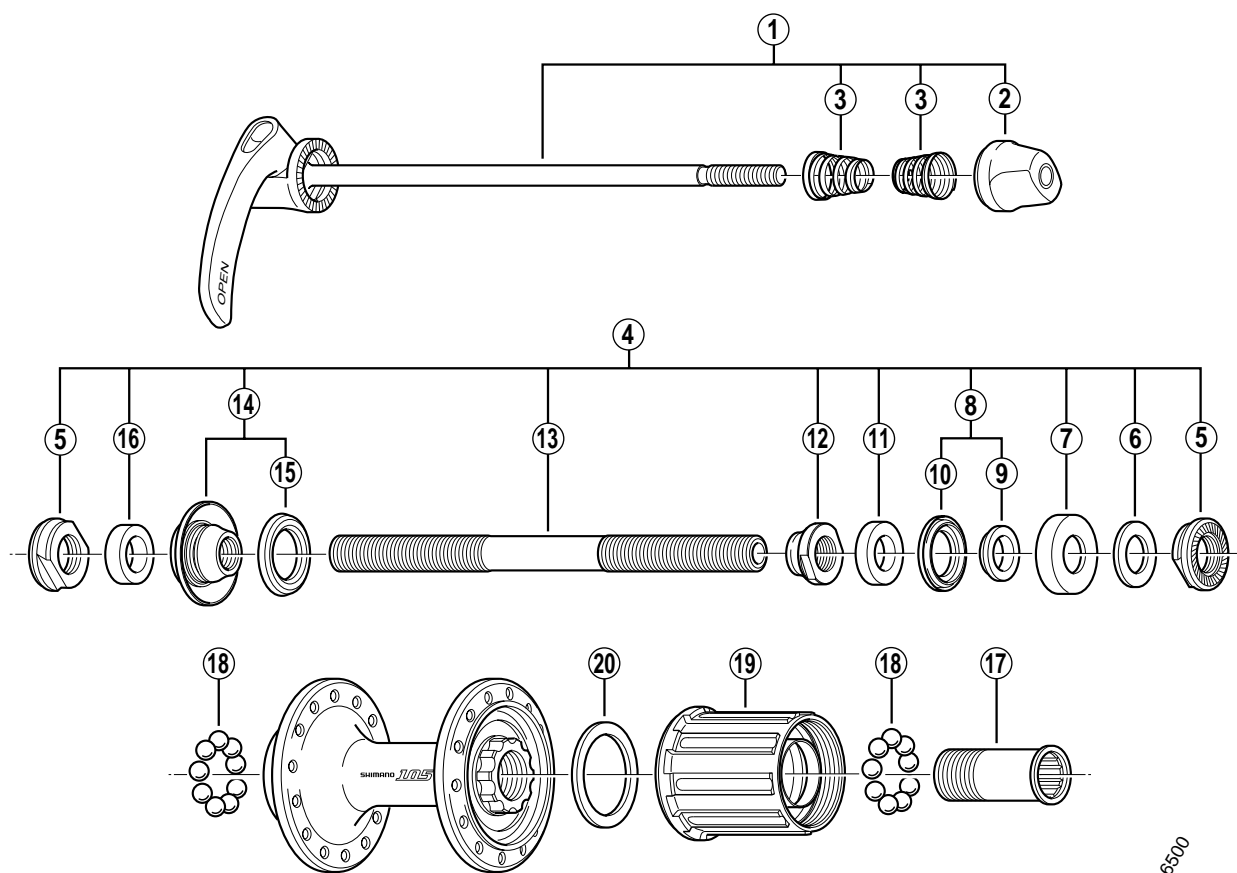


SHIMANO 105 Freehub FH-5500 9-Speed

1999



• Use with CS-HG70-9.

ITEM NO.	SHIMANO CODE NO.	DESCRIPTION	INTERCHANGEABILITY
1	Y-32X 90200	Complete Quick Release 163 mm (6-13/32")	B
2	Y-23W91100	Quick Release Nut	B B
3	Y-231 11000	Volute Spring	A A
4	Y-32X 98010	Complete Hub Axle 141 mm (5-9/16")	
5	Y-3A0 22000	Serrated Lock Nut 4.6 mm	A
6	Y-301 08100	Right Hand Washer 1.2 mm	A
7	Y-3A0 05100	Right Hand Dust Cap	A
8	Y-32X 98020	Right Hand Axle Spacer & Seal Ring	
9	Y-31V 03000	Right Hand Axle Spacer 3.7 mm	A
10	Y-214 06000	Right Hand Seal Ring	A
11	Y-32X 14000	Right Hand Axle Spacer 3.75 mm	
12	Y-3AE 03000	Right Hand Cone (M10 x 9 mm)	
13	Y-301 05100	Hub Axle 141 mm (5-9/16")	B B
14	Y-32X 98030	Left Hand Cone (M10 x 16 mm) w/Dust Cover & Seal Ring	B
15	Y-377 10000	Left Hand Seal Ring	A A
16	Y-32X 13000	Left Hand Axle Spacer 4.8 mm	B
17	Y-359 04000	Body Fixing Bolt	A A
18	Y-000 91310	Steel Ball (1/4") 18 pcs.	A A
19	Y-32X 98040	Complete Freewheel Body w/Right Hand Dust Cap	
20	Y-375 04000	Freewheel Body Washer	A A

FH-6500
FH-1056-8

Over Lock Nut Dimension: 130 mm (5-1/8")

9808-1734

The table indicates the adaptability of conventional parts to FH-5500.

A: Same parts

B: Parts are usable, but differ in materials, appearance, finish, size, etc.

Absence of mark indicates non-interchangeability.

Specifications are subject to change without notice.

SHIMANO



5r