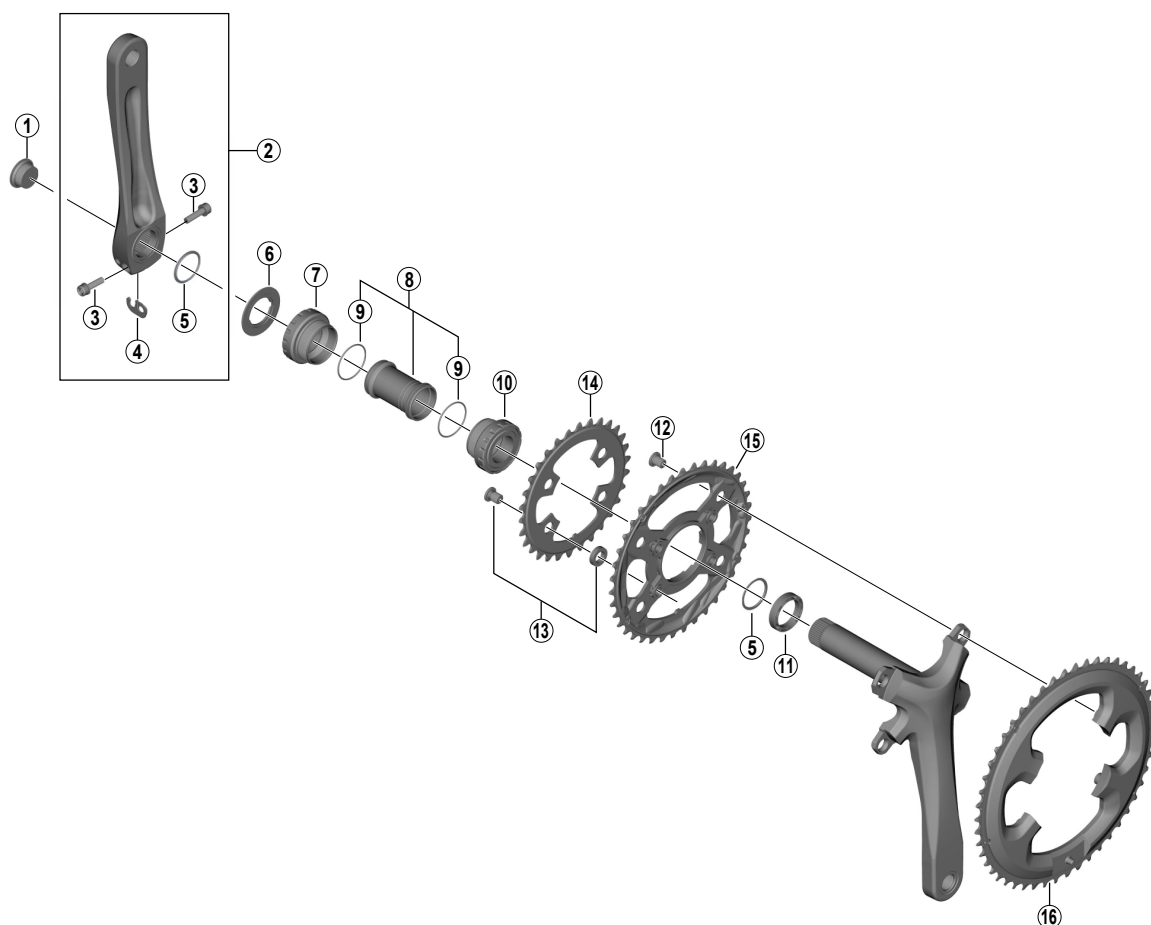


# TIAGRA Crankset FC-4703 BB-RS500



• Chaining teeth combinations: 50-39-30T

• Bolt circle diameter: 110 mm...(For outer gear and middle gear), 74 mm...(For inner gear)

FC-4603

ITEM NO.	SHIMANO CODE NO.	DESCRIPTION	INTERCHANGEABILITY		
1	Y1P417000	Crank Arm Fixing Bolt	B		
2	Y1RC98010	Left Hand Crank Arm Unit 165 mm	B		
	Y1RC98020	Left Hand Crank Arm Unit 170 mm	B		
	Y1RC98030	Left Hand Crank Arm Unit 172.5 mm	B		
	Y1RC98040	Left Hand Crank Arm Unit 175 mm	B		
* 3	Y1GS00030	Clamp Bolt (M6 x 19)			
4	Y1GE98050	Plate	A		
5	Y1F316000	Ring	A		
6	Y1MD14100	Spacer	A		
7	Y1RF98010	Left Hand Adapter (B.C.1.37" x 24T) English Thread (BB-RS500)	B		
	Y1RF98020	Left Hand Adapter (M36 x 24T) Italian Thread (BB-RS500)	B		
8	Y1RF98050	Inner Cover & O-Ring	A		
9	Y1TF21000	O-Ring	A		
10	Y1RF98030	Right Hand Adapter (B.C.1.37" x 24T) English Thread (BB-RS500)	B		
	Y1RF98040	Right Hand Adapter (M36 x 24T) Italian Thread (BB-RS500)	B		
11	Y1F913000	Spacer (6.5 mm)	A		
12	Y1FM98030	Gear Fixing Bolt (M8 x 8.5 / 1 Unit = 4 pcs.)	A		
* 13	Y1RD98040	Inner Gear Fixing Bolt (M8 x 9.6 / 1 Unit = 4 pcs.) & Spacer (1 Unit = 4 pcs.)			
14	Y1RD30000	Chaining 30T-MM			
* 15	Y1RD98050	Chaining 39T-MM w/Nut & Holder			
16	Y1RD98030	Chaining 50T-MM			

A: Same parts.

B: Parts are usable, but differ in materials, appearance, finish, size, etc.

Absence of mark indicates non-interchangeability.

Specifications are subject to change without notice.

Mar.-2016-3934A

© Shimano Inc. I

# SHIMANO