

DEORE XT Disc Brake

BR-M8000 Brake Caliper

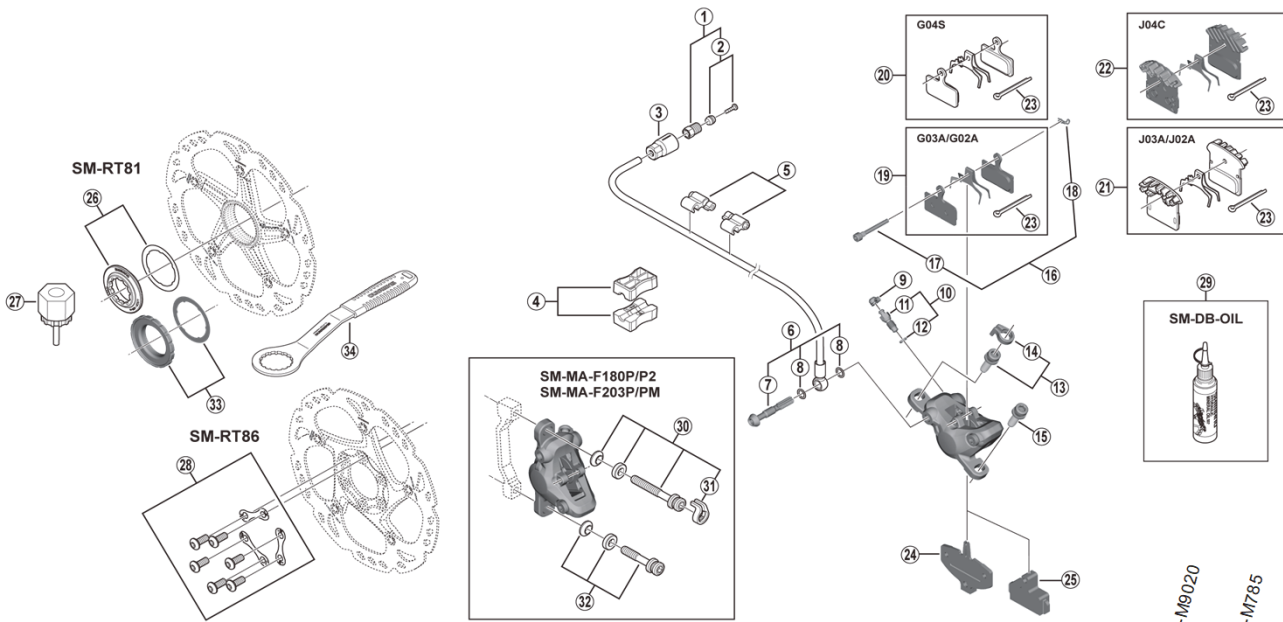
SM-BH90-SB Brake Hose

SM-RT81 Disc Rotor/Center Lock

SM-RT86 Disc Rotor/6-Bolt

Disc Rotor/Center Lock

Disc Rotor/6-Bolt



ITEM NO.	SHIMANO C CODE NO.	DESCRIPTION	INTERCHANGE-ABILITY	
			BR-M9020	BR-M785
1	Y8JA98010	Flare Nut Unit	A	A
2	Y8JA98020	Olive & Connector Insert	A	A
3	Y8JA07000	Cover	A	B
4	Y8H198030	TL-BH61 Shimano original tool (2 pcs.)	A	A
5	Y83098040	SM-HANG Hose Supporter A & B	A	A
6	Y8JA98030	Banjo Screw & O-Ring	B	A
7	Y8JA04000	Banjo Screw	B	A
8	Y8SY28000	O-Ring	A	A
9	Y8B214000	Bleed Nipple Cap	A	A
10	Y8CL98050	Bleed Nipple & Seal Ring	A	A
11	Y8CL24200	Bleed Nipple	A	A
12	Y8B511001	O-Ring for Bleed Nipple	A	A
* 13	Y2F398020	Caliper Fixing Screw (M6 x 18.7) & Snap Ring		
* 14	Y2RT06000	Snap Ring		
15	Y8C509020	Caliper Fixing Screw (M6 x 18.7)	B	A
16	Y8JZ98010	Pad Axle & Snap Retainer	B	A
17	Y8JZ05000	Pad Axle	B	A
18	Y8J716000	Snap Retainer	A	A
* 19	Y8LV98010	Resin Pad (G03A) & Spring w/Split Pin		
	Y8LW98020	Resin Pad (G02A) & Spring w/Split Pin	A	B
20	Y8MY98010	Metal Pad (G04S) & Spring w/Split Pin	B	B
* 21	Y8ZZ98010	Resin Pad (J03A) w/Fin & Spring w/Split Pin		
	Y8LW98040	Resin Pad (J02A) w/Fin & Spring w/Split Pin	A	B
22	Y8LW98030	Metal Pad (J04C) w/Fin & Spring w/Split Pin	A	B
23	Y8DB06100	Split Pin	B	B
24	Y8J709000	Pad Spacer	A	A
25	Y8J712000	Bleeding Spacer	A	A
26	Y8K198010	Lock Ring & Washer	A	A
27	Y12009230	TL-LR15 Lock Ring Removal Tool	A	A
28	Y8J298030	Rotor Fixing Screw & Lock Washer	A	A
* 29	Y83998020	Mineral Oil (100 ml)	A	A
* 29	Y83998030	Mineral Oil (500 ml)	A	A
* 30	Y2RT98020	Caliper Fixing Screw Unit (M6 x 37.9) for SM-MA-F180P/P2		
* 30	Y2RT98030	Caliper Fixing Screw Unit (M6 x 40.2) for SM-MA-F203P/PM		
* 31	Y2RT07000	Snap Ring		
32	Y8G498030	Caliper Fixing Screw Unit (M6 x 32.1) for SM-MA-F180P/P2	B	A
	Y8J498020	Caliper Fixing Screw Unit (M6 x 34.4) for SM-MA-F203P/PM	B	A
33	Y26L98030	Lock Ring & Washer (External spline type)	A	
34	Y13098000	TL-FC36 Lock Ring Removal Tool	A	

A: Same parts.

B: Parts are usable, but differ in materials, appearance, finish, size, etc.

Absence of mark indicates non-interchangeability.

Specifications are subject to change without notice.

Feb.-2020-3857D

© Shimano Inc. I

SHIMANO