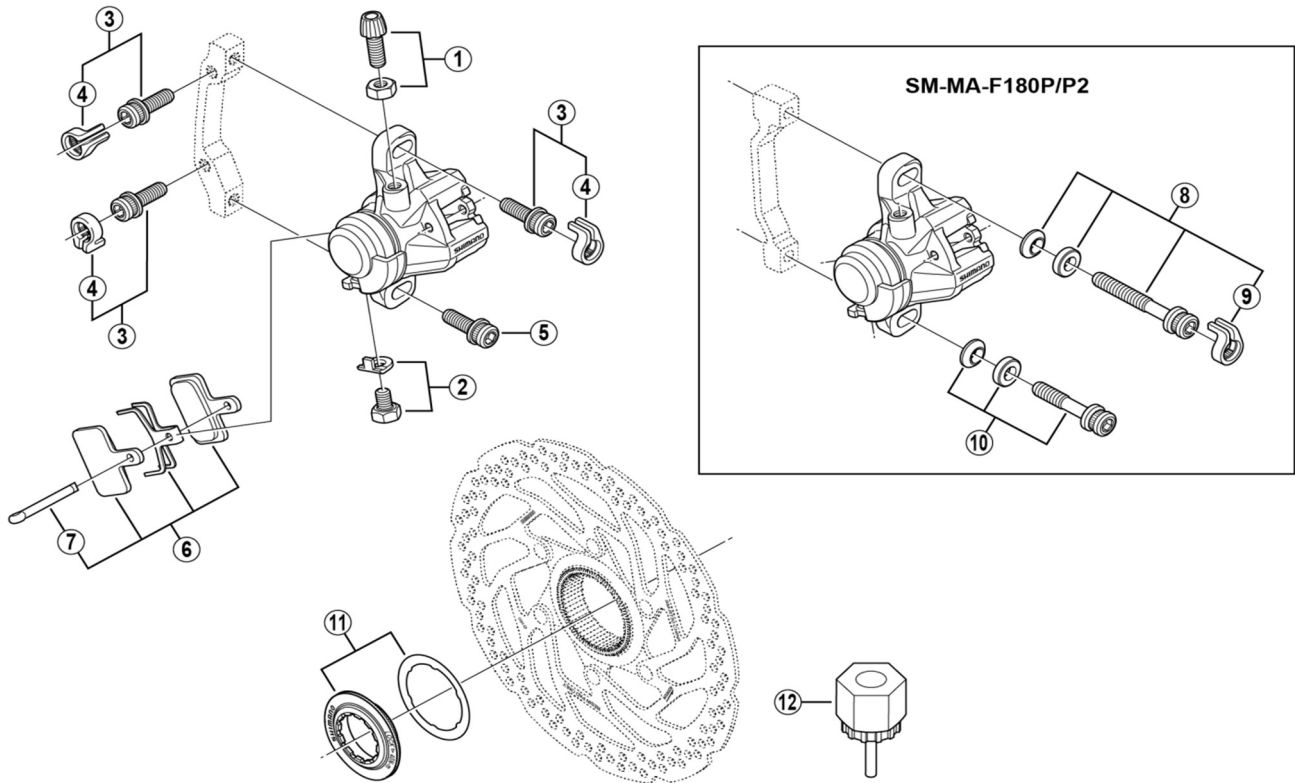


Front Disc Brake
BR-M375 Brake Caliper
SM-RT30 Disc Rotor



| ITEM NO. | SHIMANO CODE NO. | DESCRIPTION | INTERCHANGEABILITY | | |
|----------|------------------|---|--------------------|---------|---------|
| | | | BR-M416A | BR-M416 | BR-M445 |
| 1 | Y8JW98010 | Cable Adjusting Bolt & Nut | | | |
| 2 | Y8JW98020 | Cable Fixing Bolt (M6 x 9) & Plate | | | |
| 3 | Y8DS98010 | Caliper Fixing Bolt (M6 x 18.7) & Stop Ring | A | A | A |
| 4 | Y8C511000 | Stop Ring | A | A | A |
| 5 | Y8C509020 | Caliper Fixing Bolt (M6 x 18.7) | A | A | A |
| 6 | Y8FH98030 | Resin Pad (B01S) & Spring w/Split Pin | A | A | |
| 7 | Y8C505000 | Split Pin | A | A | |
| 8 | Y8G498020 | Caliper Fixing Bolt Unit (M6 x 37.9) | | | |
| 9 | Y81703000 | Snap Ring | | | |
| 10 | Y8G498030 | Caliper Fixing Bolt Unit (M6 x 32.1) | | | |
| * 11 | Y8PW98020 | Lock Ring & Washer | B | B | B |
| 12 | Y12009230 | TL-LR15 Lock Ring Removal Tool | A | A | A |

A: Same parts.

B: Parts are usable, but differ in materials, appearance, finish, size, etc.

Absence of mark indicates non-interchangeability.

Specifications are subject to change without notice.

Dec.-2017-3229A

© Shimano Inc. I

SHIMANO