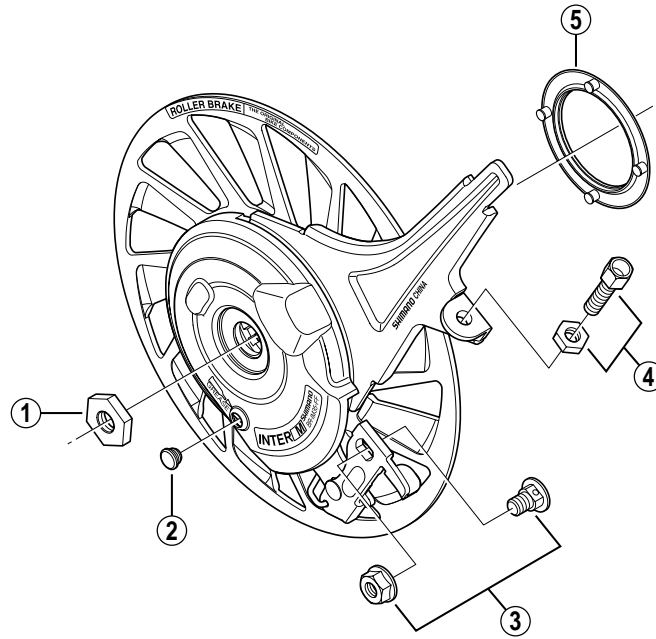
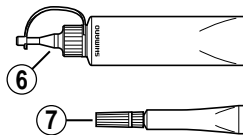


Front Roller Brake BR-IM35-FF

SKC



Roller Brake Grease



ITEM NO.	SHIMANO CODE NO.	DESCRIPTION	INTERCHANGEABILITY
1	Y-22V 05020	Brake Unit Fixing Nut (M9 x 3.5)	A
2	Y-75F 11000	Grease Hole Cap	A
3	Y-75D 98010	Inner Cable Fixing Bolt & Nut	A
4	Y-75D 98020	Brake Cable Adjusting Bolt & Nut	A
5	Y-75P 17000	Seal Ring	A
6	Y-041 20400	Roller Brake Grease (Net. 100g)	A
7	Y-041 40020	Roller Brake Grease (Net. 10g)	A

A: Same parts.

B: Parts are usable, but differ in materials, appearance, finish, size, etc.

Absence of mark indicates non-interchangeability.

BR-IM31-F

0711-2776

Specifications are subject to change without notice.

SHIMANO