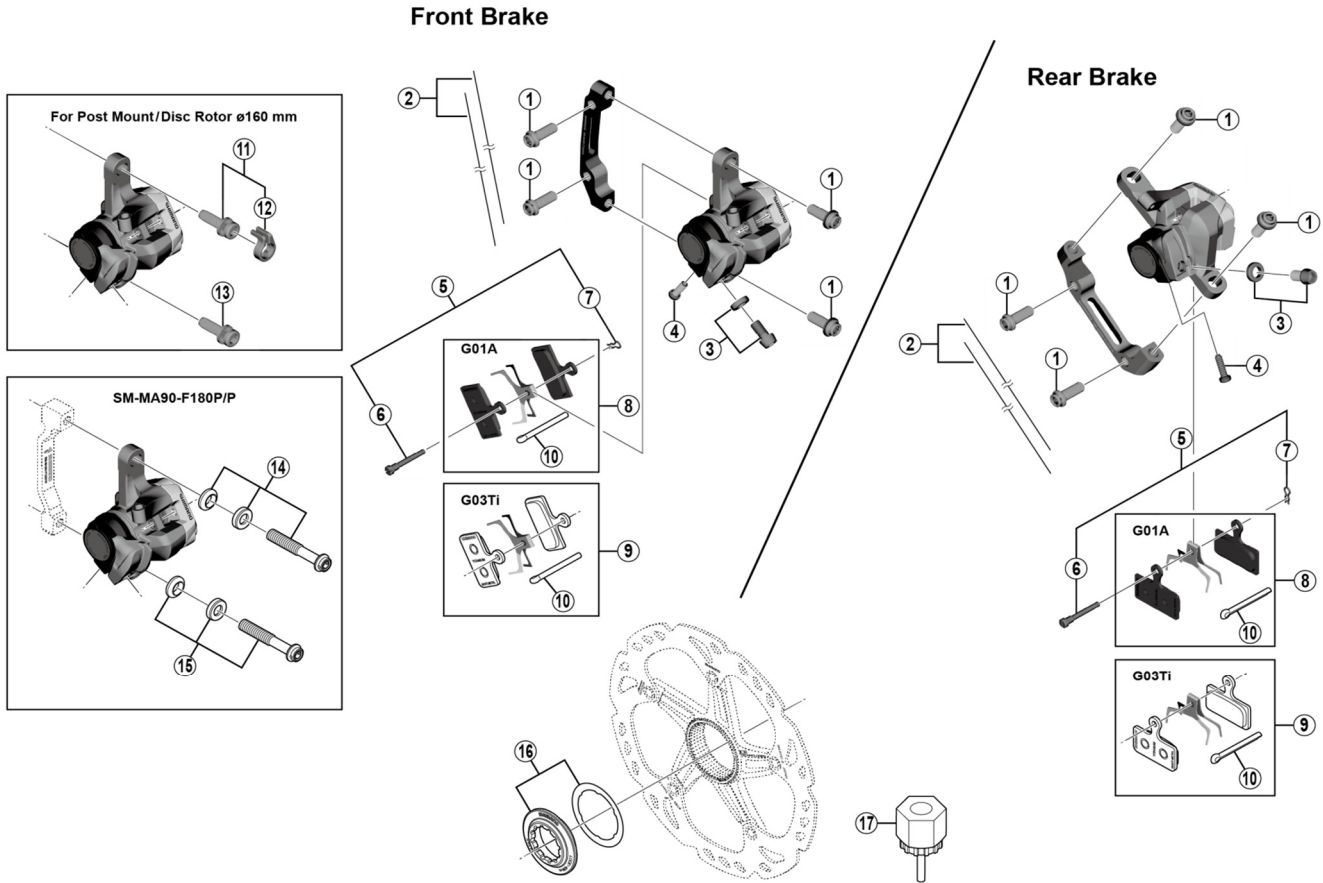


Disc Brake

BR-CX77 Brake Caliper

SM-RT81 Disc Rotor



ITEM NO.	SHIMANO CODE NO.	DESCRIPTION	INTERCHANGEABILITY	
			BR-R517	BR-M985
1	Y8J721000	Caliper Fixing Bolt (M6 x 15.2)		A
2	Y8B298010	Wire (2 pcs.)		A
3	Y8KZ98010	Cable Fixing Bolt (M6 x 10.5) & Plate	A	
4	Y8KZ14000	Arm Adjusting Bolt	A	
5	Y8L498010	Pad Axle & Snap Retainer	B	
6	Y8L410000	Pad Axle	B	
7	Y8B212000	Snap Retainer	A	
8	Y8J79803A	Resin Pad (G01A) & Spring w/Split Pin	B	A
9	Y8J79804A	Metal Pad (G03Ti) & Spring w/Split Pin	B	A
10	Y8DB06100	Split Pin	A	
11	Y8DS98010	Caliper Fixing Bolt (M6 x 18.7) & Snap Ring	A	
12	Y8C511000	Snap Ring	A	
13	Y8C509020	Caliper Fixing Bolt (M6 x 18.7)	A	
* 14	Y8LF98040	Caliper Fixing Bolt Unit (M6 x 36.3)		A
* 15	Y8LF98050	Caliper Fixing Bolt Unit (M6 x 30.5)		A
16	Y8K198010	Lock Ring & Washer	B	B
17	Y12009230	TL-LR15 Lock Ring Removal Tool	A	A

A: Same parts.

B: Parts are usable, but differ in materials, appearance, finish, size, etc.

Absence of mark indicates non-interchangeability.

Specifications are subject to change without notice.

Jan.-2018-3644A

© Shimano Inc. I

SHIMANO