

## Dealer's Manual

ROAD	MTB	Trekking
City Touring/ Comfort Bike	URBAN SPORT	E-BIKE

# Shifting lever

### DEORE XT

SL-T8000

### DEORE

SL-T6000

# CONTENTS

<b>IMPORTANT NOTICE.....</b>	<b>3</b>
<b>TO ENSURE SAFETY.....</b>	<b>4</b>
<b>LIST OF TOOLS TO BE USED.....</b>	<b>7</b>
<b>INSTALLATION .....</b>	<b>9</b>
Installation to the handlebar .....	9
<b>MAINTENANCE .....</b>	<b>11</b>
Replacing the inner cable .....	11
Replacement and reassembly of the indicator unit .....	13
Replacement and assembly of the shifting lever unit .....	17

## IMPORTANT NOTICE

- **This dealer's manual is intended primarily for use by professional bicycle mechanics.**

Users who are not professionally trained for bicycle assembly should not attempt to install the components themselves using the dealer's manuals. If any part of the information on the manual is unclear to you, do not proceed with the installation. Instead, contact your place of purchase or a local bicycle dealer for their assistance.

- Make sure to read all instruction manuals included with the product.
- Do not disassemble or modify the product other than as stated in the information contained in this dealer's manual.
- All dealer's manuals and instruction manuals can be viewed on-line on our website (<http://si.shimano.com>).
- Please observe the appropriate rules and regulations of the country, state or region in which you conduct your business as a dealer.

**For safety, be sure to read this dealer's manual thoroughly before use, and follow it for correct use.**

The following instructions must be observed at all times in order to prevent personal injury and physical damage to equipment and surroundings. The instructions are classified according to the degree of danger or damage which may occur if the product is used incorrectly.



Failure to follow the instructions will result in death or serious injury.




Failure to follow the instructions could result in death or serious injury.



Failure to follow the instructions could cause personal injury or physical damage to equipment and surroundings.

# TO ENSURE SAFETY

## ⚠ WARNING

- **Be sure to follow the instructions provided in the manuals when installing the product.**  
It is recommended to use genuine Shimano parts only. If parts such as bolts and nuts become loose or damaged, the bicycle may suddenly fall over, which may cause serious injury.  
In addition, if adjustments are not carried out correctly, problems may occur, and the bicycle may suddenly fall over, which may cause serious injury.
-  Be sure to wear safety glasses or goggles to protect your eyes while performing maintenance tasks such as replacing parts.
- After reading the dealer's manual thoroughly, keep it in a safe place for later reference.

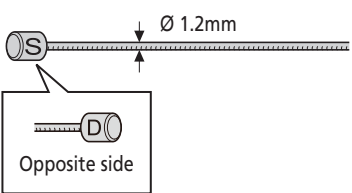
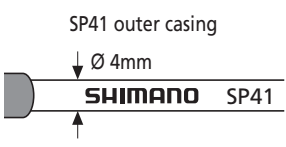
## NOTE

**Be sure to also inform users of the following:**

- Be sure to keep turning the crank during the shifting lever operation.
- If gear shifting operations do not feel smooth, wash the derailleur and lubricate all moving parts.
- Products are not guaranteed against natural wear and deterioration from normal use and aging.
- For maximum performance we highly recommend Shimano lubricants and maintenance products.

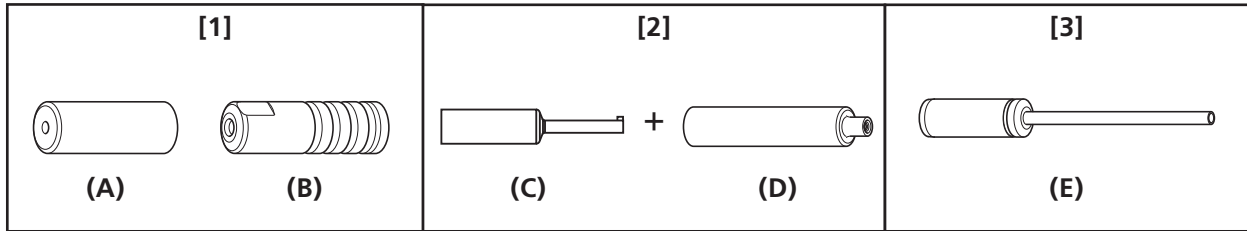
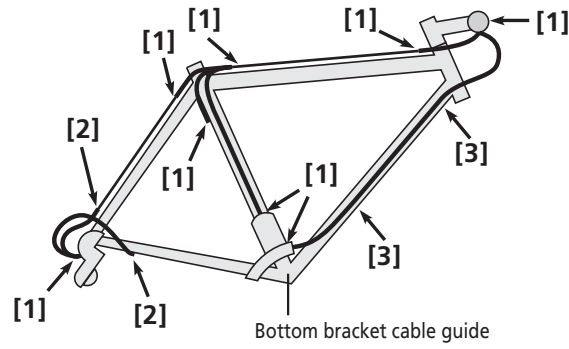
**For Installation to the Bicycle, and Maintenance:**

- Using a frame with internal cable routing is strongly discouraged as it has tendencies to impair the SIS shifting function due to its high cable resistance.
- Grease the inner cable and the inside of the outer casing before use to ensure that they slide properly. If the grease on the inner cable is wiped off, the application of SIS SP41 grease (Y04180000) is recommended. Do not let soil and dirt adhere to the inner cable.
- Use an outer casing [OT-SP41] and a cable guide (SM-SP17/SP18) for smooth operation.
- A special grease is used for the gear shifting cable. Do not use premium grease or other types of grease, otherwise they may cause deterioration in gear shifting performance.
- Use an outer casing which still has some length to spare even when the handlebars are turned all the way to both sides. Furthermore, check that the shifting lever does not touch the bicycle frame when the handlebars are turned all the way.
- If gear shifting adjustments cannot be carried out, check that the rear fork ends are aligned. Check whether the cable is lubricated and clean, and if the outer casing is too long or short.
- List of cables used

	Dedicated inner cable	Recommended outer casing
<p>SL-T8000 SL-T6000</p>	 <p>Ø 1.2mm</p> <p>Opposite side</p>	 <p>SP41 outer casing</p> <p>Ø 4mm</p> <p><b>SHIMANO</b> SP41</p>

\* Refer to the list of recommended outer caps.  
\* Do not let dust adhere on the inner cable. If the grease on the inner cable is wiped off, the application of SIS SP41 grease (Y04180000) is recommended.

• Chart of recommended outer caps







Type of cap			Remarks
<b>[1]</b>	<b>(A)</b>	Sealed outer cap (aluminum type)	FD/RD side
	<b>(B)</b>	Sealed outer cap (resin type)	FD/RD/Shifting lever side
<b>[2]</b>	<b>(C)</b>	Sealed outer cap with tongue	Outer casing holder on frame side
	<b>(D)</b>	Rubber shield	
<b>[3]</b>	<b>(E)</b>	Outer cap with long tongue	Applies if the outer cable angle is large in the case of built-in frame routing If the inner cable is in contact with metallic parts of the frame in the case of a frame with built-in cable routing

The actual product may differ from the illustration because this manual is intended mainly to explain the procedures for using the product.

# **LIST OF TOOLS TO BE USED**

## LIST OF TOOLS TO BE USED

The following tools are needed for installation, adjustment, and maintenance purposes.

Tool		Tool	
	4mm hexagon wrench		Screwdriver[#2]
	Screwdriver[#1]		Screwdriver

# INSTALLATION

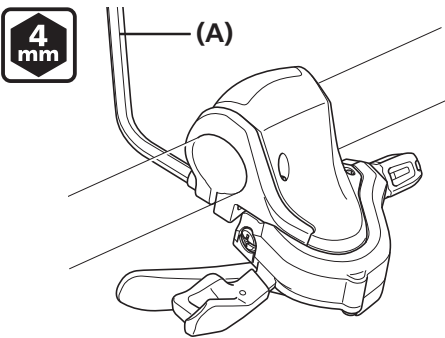


# INSTALLATION

## ■ Installation to the handlebar

### NOTE


- When installing components to a carbon frame (handlebars), there is a risk of causing damage to the frame (handlebars) or inadequate fixing force, even at the recommended tightening torque. Verify the appropriate torque to apply with the bicycle or frame (handlebar) manufacturer.
- Install in a position where brake and gear shifting operations are not obstructed. Do not use in a combination which causes brake operation to be obstructed.



Use a handlebar grip with the following maximum outer diameter.

DEORE XT: Ø32mm or less  
 DEORE: Ø36mm or less

**(A)** 4mm hexagon wrench

Tightening torque	
	<b>3 - 4 N·m</b>

# MAINTENANCE

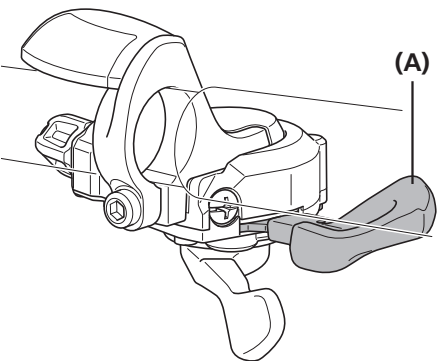
# MAINTENANCE

## ■ Replacing the inner cable

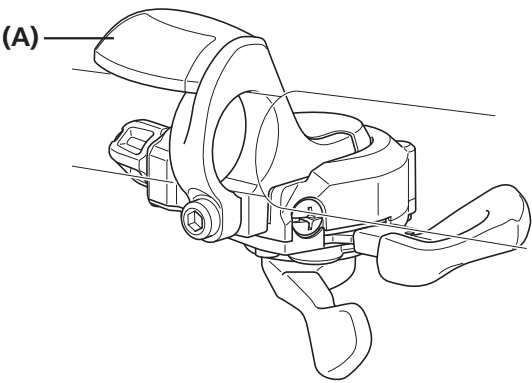
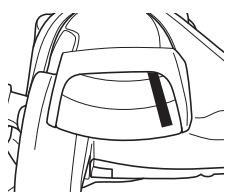
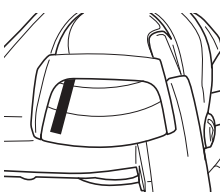
Refer to the SIS adjustment section in General Operations for information on installation to the derailleur and necessary adjustments.

### Replacement procedure

\* The illustration is of the rear lever.

1		<p>Operate the release lever to set the chain on the smallest chainring / smallest sprocket.</p>
---	---	--

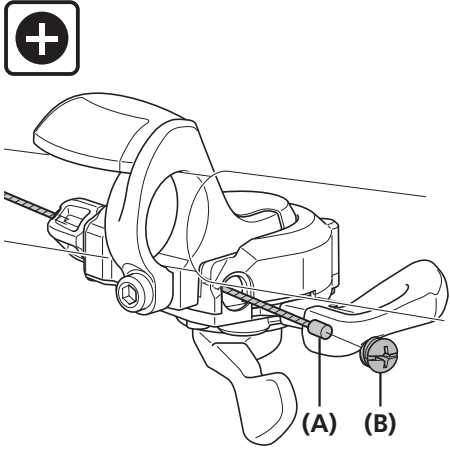
(A) Release lever

2	<p>When there is an indicator, check the position of the pointer on the indicator.</p>	
		
	<p><b>Front: right end</b></p> 	<p><b>Rear: left end</b></p> 

(A) Indicator

▶ Replacing the inner cable

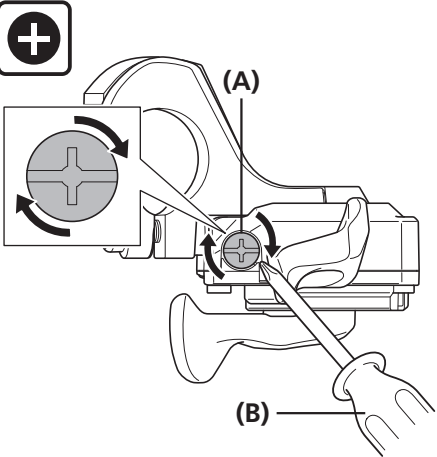
**3**



Then remove the wire end hooking cap and install the cable.

(A) Inner cable  
(B) Wire end hooking cap

**4**



Install the wire end hooking cap by turning it as shown in the illustration until it stops.

Do not turn it any further than this otherwise it may damage the thread on the cap.

(A) Wire end hooking cap  
(B) Screwdriver

## ■ Replacement and reassembly of the indicator unit

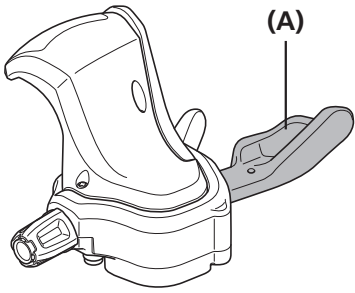
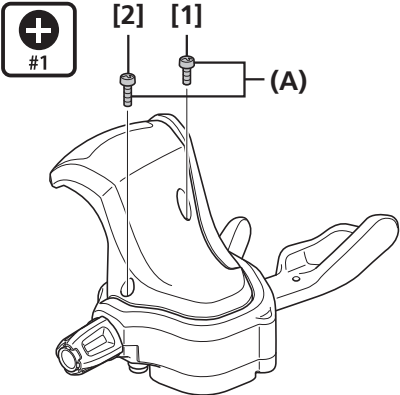
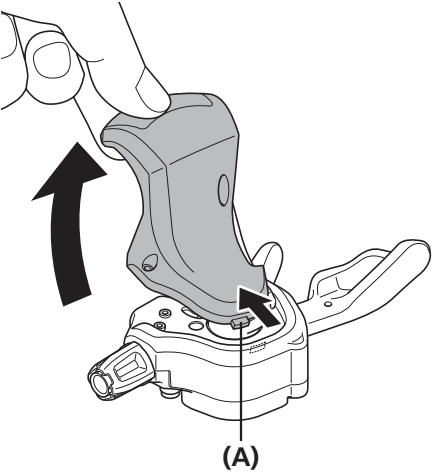
### NOTE

Disassembly and assembly should only be carried out when removing or replacing the indicator unit.

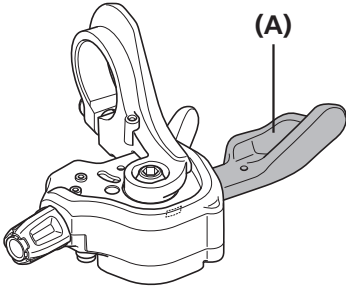
### DEORE XT

\* The illustration is of the front lever.

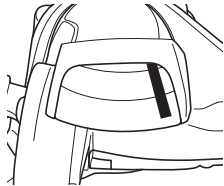
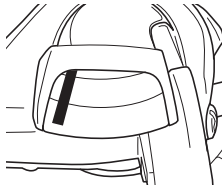
#### Disassembly procedure

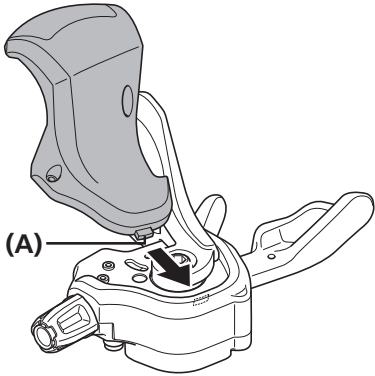
<p>1</p>		<p>Operate the release lever 3 or more times (9 or more times for the rear).</p>	<p>(A) Release lever</p>
<p>2</p>		<p>Remove the indicator fixing screws [1] and [2] which are securing the indicator unit.</p>	<p>(A) Indicator fixing screw</p> <p><b>NOTE</b></p> <p>Do not mix up screws [1] and [2]. If they are mixed up, damage may result.</p>
<p>3</p>		<p>Lift up the lens of the indicator unit to disengage the catch as shown in the illustration and then remove it upward.</p>	<p>(A) Hook</p>

**Assembly procedure**

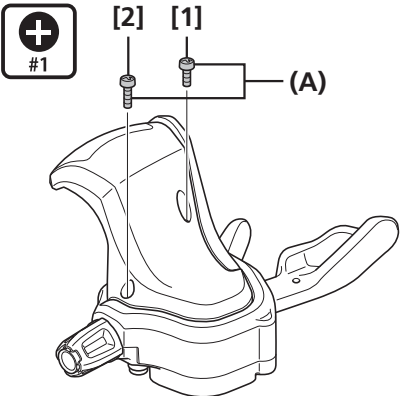
<b>1</b>		<p>Operate the release lever 3 or more times (9 or more times for the rear).</p>
----------	---	--

**(A)** Release lever


<p>Check the position of the pointer on the indicator.</p>		
<b>2</b>	<p><b>Front: right end</b></p> 	<p><b>Rear: left end</b></p> 

<b>3</b>		<p>Install the indicator unit by first engaging the catch.</p>
----------	--	--

**(A)** Hook

<b>4</b>		<p>Secure it by tightening indicator fixing screws [1] and [2].</p>
----------	---	---

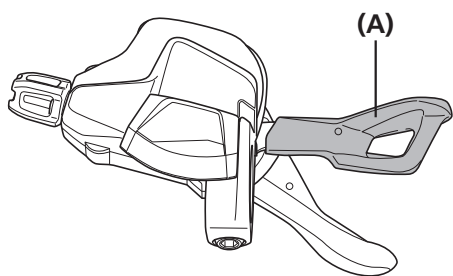
**(A)** Indicator fixing screw

Tightening torque	
	0.15 - 0.2 N·m

<b>5</b>	<p>Check that it is operating correctly.</p> <p>If it does not operate correctly, reassemble while paying particular attention to steps <b>1</b> and <b>2</b>.</p>
----------	--

DEORE

1

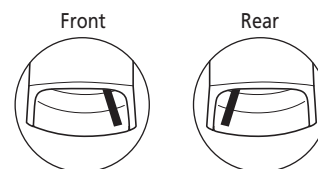


Operate the release lever 3 or more times (10 or more times for the rear).

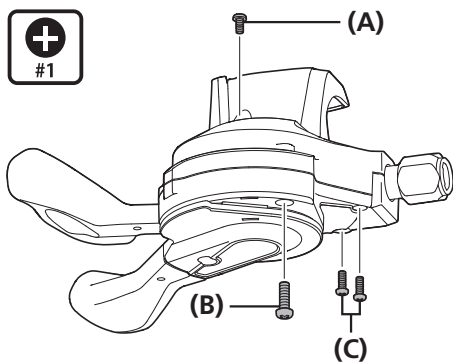
(A) Release lever

**NOTE**

- The illustration is of the front lever.
- Make sure that the indicator needle is in the position shown in the illustration.



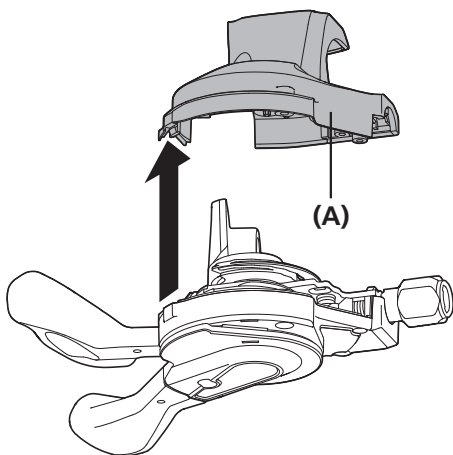
2



Remove the 4 indicator fixing screws.

- (A) Indicator fixing screw
- (B) Shifting lever unit mounting screw (medium)
- (C) Shifting lever unit mounting screw (small)

3

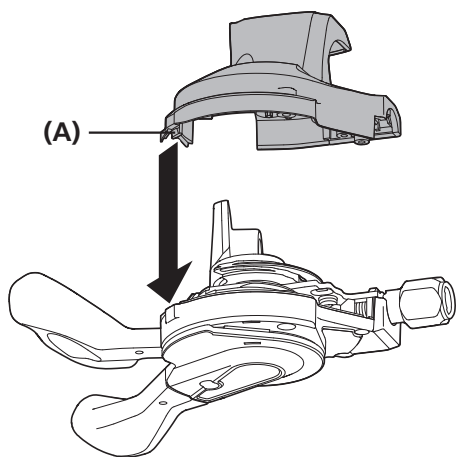


Remove the indicator unit in the direction of the arrow.

(A) Indicator unit

Replacement and reassembly of the indicator unit

4

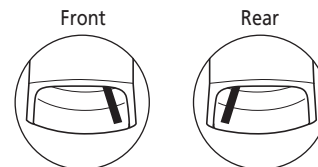


Install the indicator unit by first engaging the hook.

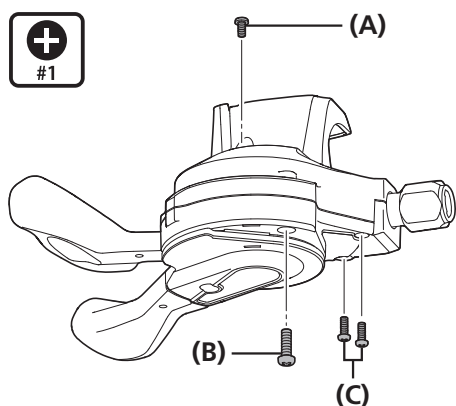
(A) Hook

**NOTE**

- Before assembly, operate the release lever 3 or more times (10 or more times for the rear).
- Make sure that the indicator needle is in the position shown in the illustration.



5



Secure with the indicator fixing screw. Operate it to check the operation. If it does not operate correctly, reassemble the unit while paying attention to the operation of the lever and the position of the indicator needle.

- (A) Indicator fixing screw
- (B) Shifting lever unit mounting screw (medium)
- (C) Shifting lever unit mounting screw (small)

Tightening torque (A) (C)

	0.15 - 0.2 N·m
--	----------------

Tightening torque (B)

	0.1 - 0.15 N·m
--	----------------



## ■ Replacement and assembly of the shifting lever unit

### NOTE

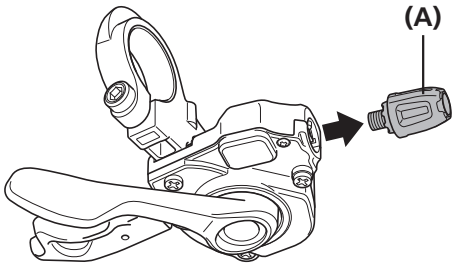
Disassembly and assembly should only be carried out when replacing the shifting lever unit.

### DEORE XT

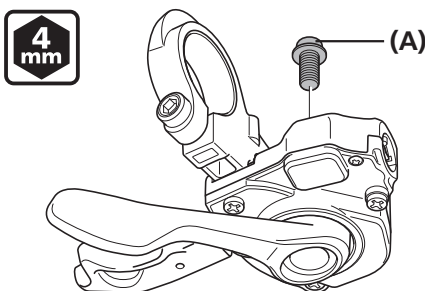
#### Disassembly procedure

**1** Loosen the cable fixing bolt (nut) of the front derailleur or rear derailleur, and then pull the inner cable out of the shifting lever unit in the same way as when installing the inner cable.

**2** Follow the disassembly procedure in "Replacement of the indicator unit" and remove the indicator unit.

<b>3</b>		Remove the adjustment bolt.
----------	--	-----------------------------

**(A)** Adjustment bolt

<b>4</b>		Remove the unit fixing bolt.
----------	---	------------------------------

**(A)** Unit fixing bolt (M5×9.5mm)

▶ Replacement and assembly of the shifting lever unit

**5**

Remove the 4 shifting lever unit fixing screws.

- (y) Screwdriver[#1]
- (z) Screwdriver[#2]

(A) Shifting lever fixing screw (small)  
 (B) Shifting lever fixing screw (large)  
 (C) Shifting lever fixing screw (large)

- (A) Shifting lever fixing screw (small)
- (B) Shifting lever fixing screw (large)
- (C) Shifting lever fixing screw (large)

**NOTE**

Be careful not to mix up screws (A), (B), and (C).

**6**

Remove the shifting lever unit as shown in the illustration.

**7**

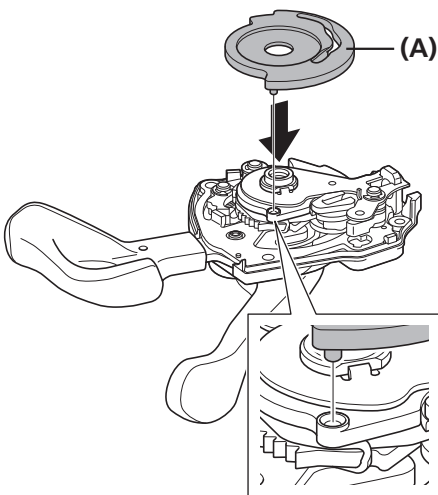
Remove the pin plate from the shifting lever unit.

(A) Pin plate

- (A) Pin plate

Assembly procedure

**1**

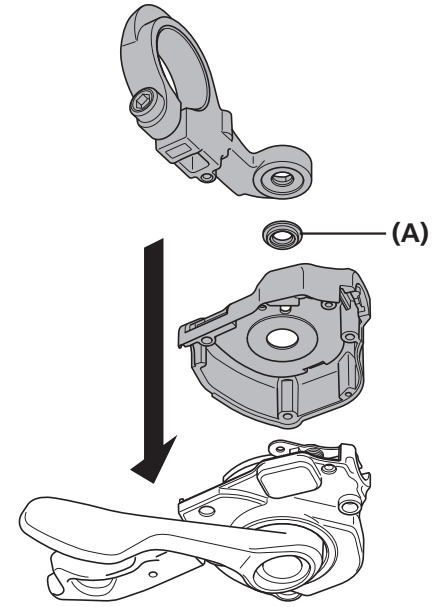


Install the pin plate to the newly-assembled shifting lever unit.

Insert the projections on the pin plate into the holes in the shifting lever unit as shown in the illustration.

**(A)** Pin plate

**2**



Set in place by aligning the shifting lever unit and the bracket.

**(A)** M5 bolt spacer

**NOTE**

Make sure to use the M5 bolt spacer.

Replacement and assembly of the shifting lever unit

**3**

Secure with 4 shifting lever unit fixing screws.

- (A) Shifting lever fixing screw (small)
- (B) Shifting lever fixing screw (large)
- (C) Shifting lever fixing screw (large)

(A) Tightening torque	
	0.08 - 0.1 N·m

(B) Tightening torque	
	0.15 - 0.2 N·m

(C) Tightening torque	
	0.5 - 0.7 N·m

**4**

Tighten the unit fixing bolt.

- (A) Unit fixing bolt (M5×9.5mm)

Tightening torque	
	2.5 - 3.5 N·m

**5**

Install the adjustment bolt.

- (A) Adjustment bolt

**6** Follow the assembly procedure in "Replacement of the indicator unit" and install the indicator unit.

# SHIMANO

**SHIMANO AMERICAN CORPORATION**

One Holland, Irvine, California 92618, U.S.A. Phone: +1-949-951-5003

**SHIMANO EUROPE B.V.**

High Tech Campus 92, 5656 AG Eindhoven, The Netherlands Phone: +31-402-612222

**SHIMANO INC.**

3-77 Oimatsu-cho, Sakai-ku, Sakai-shi, Osaka 590-8577, Japan

Please note: specifications are subject to change for improvement without notice. (English)

© Mar. 2017 by Shimano Inc. ITP