

## Dealer's Manual

ROAD	MTB	Trekking
City Touring/ Comfort Bike	URBAN SPORT	E-BIKE

# Shifting Lever

**RAPIDFIRE Plus**

**11-speed**

SL-RS700

# CONTENTS

<b>IMPORTANT NOTICE</b> .....	<b>3</b>
<b>TO ENSURE SAFETY</b> .....	<b>4</b>
<b>LIST OF TOOLS TO BE USED</b> .....	<b>6</b>
<b>INSTALLATION</b> .....	<b>8</b>
Installation to the handlebar (Normal type) .....	8
Installation to the handlebar (I-spec II).....	9
<b>MAINTENANCE</b> .....	<b>11</b>
Replacing the inner cable .....	11
Replacement of the shifting lever unit.....	12

## IMPORTANT NOTICE

- **This dealer's manual is intended primarily for use by professional bicycle mechanics.**

Users who are not professionally trained for bicycle assembly should not attempt to install the components themselves using the dealer's manuals. If any part of the information on the manual is unclear to you, do not proceed with the installation. Instead, contact your place of purchase or a local bicycle dealer for their assistance.

- Make sure to read all instruction manuals included with the product.
- Do not disassemble or modify the product other than as stated in the information contained in this dealer's manual.
- All dealer's manuals and instruction manuals can be viewed on-line on our website (<http://si.shimano.com>).
- Please observe the appropriate rules and regulations of the country, state or region in which you conduct your business as a dealer.

**For safety, be sure to read this dealer's manual thoroughly before use, and follow it for correct use.**

The following instructions must be observed at all times in order to prevent personal injury and physical damage to equipment and surroundings. The instructions are classified according to the degree of danger or damage which may occur if the product is used incorrectly.



Failure to follow the instructions will result in death or serious injury.




Failure to follow the instructions could result in death or serious injury.



Failure to follow the instructions could cause personal injury or physical damage to equipment and surroundings.

## TO ENSURE SAFETY

### WARNING

- **When installing components, be sure to follow the instructions that are given in the instruction manuals.**  
It is recommended that you use only genuine Shimano parts. If parts such as bolts and nuts become loose or damaged, the bicycle may suddenly fall over, which may cause serious injury.  
In addition, if adjustments are not carried out correctly, problems may occur, and the bicycle may suddenly fall over, which may cause serious injury.
-  Be sure to wear safety glasses or goggles to protect your eyes while performing maintenance tasks such as replacing parts.
- After reading the dealer's manual thoroughly, keep it in a safe place for later reference.

### NOTE

#### **Be sure to also inform users of the following:**

- Be sure to keep turning the crank during the lever operation.
- If gear shifting operations do not feel smooth, wash the derailleur and lubricate all moving parts.
- Products are not guaranteed against natural wear and deterioration from normal use and aging.
- For maximum performance we highly recommend Shimano lubricants and maintenance products.

#### **For Installation to the Bicycle, and Maintenance:**




- Grease the inner cable and the inside of the outer casing before use to ensure that they slide properly.
- For smooth operation, use the specified outer casing (OT-SP41) and the bottom bracket cable guide (SM-SP17/SP18).
- A special grease is used for the gear shifting cable. Do not use Premium grease or other types of grease, otherwise they may cause deterioration in gear shifting performance.
- Use an outer casing which still has some length to spare even when the handlebars are turned all the way to both sides. Furthermore, check that the shifting lever does not touch the bicycle frame when the handlebars are turned all the way.
- If gear shifting adjustment cannot be carried out, check the degree of parallelism at the rear end of the bicycle. Also check if the cable is lubricated and if the outer casing is too long or too short.

The actual product may differ from the illustration because this manual is intended chiefly to explain the procedures for using the product.

# LIST OF TOOLS TO BE USED

## LIST OF TOOLS TO BE USED

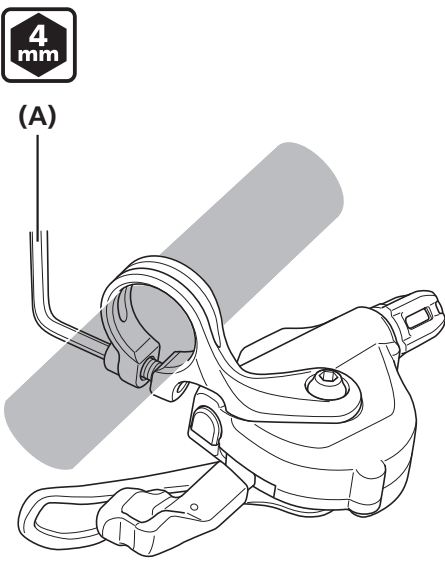
The following tools are needed to assemble this product.

Tool		Tool	
	2mm hexagon wrench		Screwdriver[#1]
	4mm hexagon wrench		

# INSTALLATION

# INSTALLATION


## ■ Installation to the handlebar (Normal type)



(A)

Use a handlebar grip with a maximum outer diameter of 32mm.

(A) 4mm hexagon wrench

Tightening torque	
	3 N·m

### NOTE

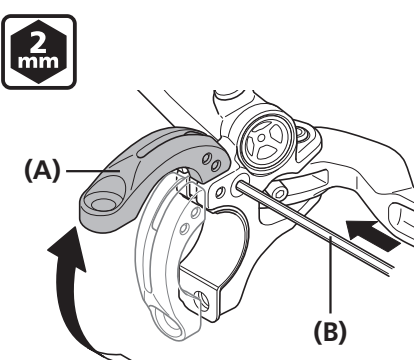
When installing the components to carbon frame/handle bar surfaces, verify with the manufacturer of the carbon frame/parts for their recommendation on tightening torque in order to prevent over tightening that can cause damage to the carbon material and/or under tightening that can cause lack of fixing strength for the components.

- Install the shifting lever in a position where it will not obstruct brake operation and gear shifting operation.
- Do not use in a combination which causes brake operation to be obstructed.



■ Installation to the handlebar (I-spec II)

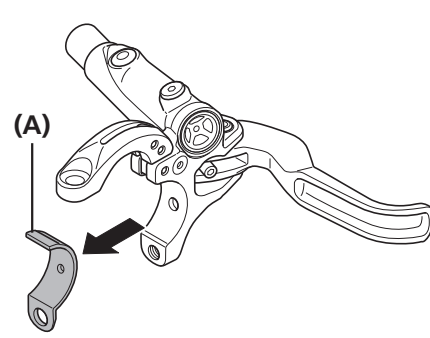
**1**



Use a hexagon wrench to open the clamp band of the brake lever as shown in the illustration.

- (A) Clamp band
- (B) 2mm hexagon wrench

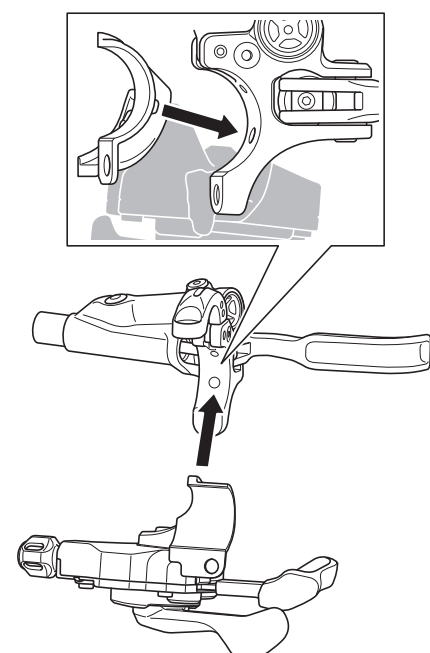
**2**



Remove the adapter attached to the inside of the clamp band. Remove any remaining adhesive.

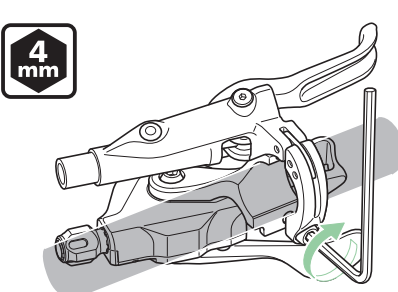
- (A) Adapter

**3**




Insert the protrusion on the shifting lever bracket into the hole in the brake lever bracket.

**4**



Secure the clamp band of the brake lever with a hexagon wrench.

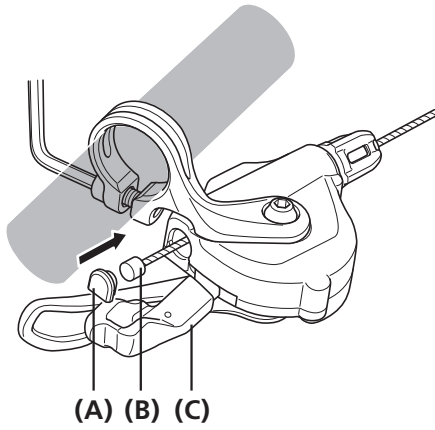
Tightening torque	
	6 - 8 N·m

# MAINTENANCE

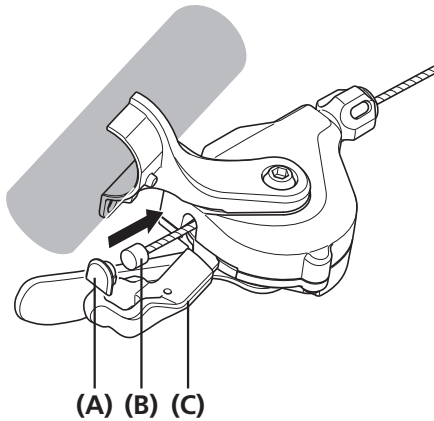
# MAINTENANCE

## ■ Replacing the inner cable

For normal type



For I-spec II



Operate (C) shown in the illustration to set the chain to the smallest chainring/ sprocket, then attach the inner cable. Then remove the wire end hooking cap and install the cable.

\* The illustration shows the rear lever.

- (A) Wire end hooking cap
- (B) Inner cable
- (C) Lever

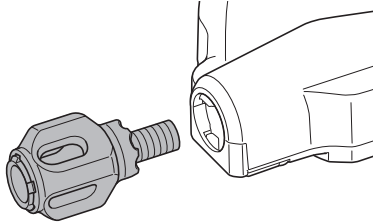
Specifications	Lever operation count
2-speed	1 times or more
11-speed	10 times or more

## ■ Replacement of the shifting lever unit

Disassembly and reassembly should only be carried out when replacing the shifting lever unit.

- 1 Loosen the cable fixing bolt (nut) of the front derailleur or rear derailleur, and then pull the inner cable out of the shifting lever unit in the same way as when installing the inner cable.

2



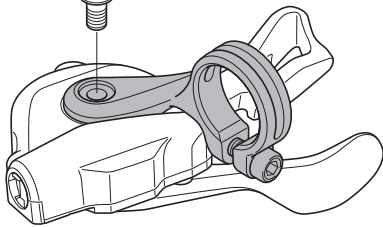
Remove the adjustment barrel.

3

For normal type



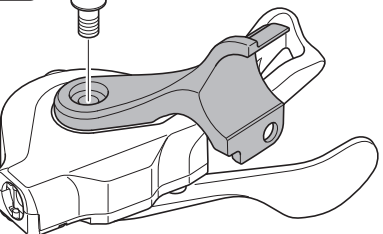
(A)



For I-spec II



(A)



Remove the unit fixing bolt.

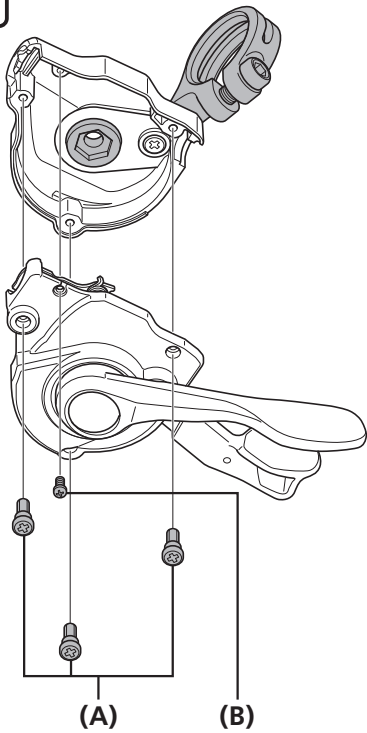
(A) Unit fixing bolt

Tightening torque



2.5 N·m

For normal type



Remove the four shifting lever unit mounting screws, and then remove the shifting lever unit as shown in the illustration.

\* When installing a shifting lever unit, reverse the procedure.

- (A) Shifting lever unit mounting screw (Large)
- (B) Shifting lever unit mounting screw (Small)

< Shifting lever unit mounting screw (Large) >

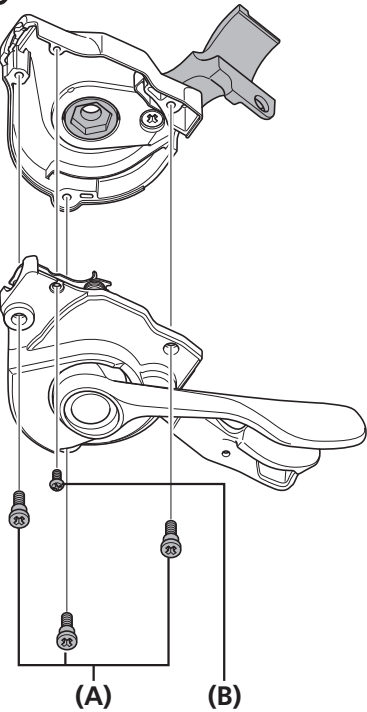
Tightening torque	
	0.15 N·m

< Shifting lever unit mounting screw (Small) >

Tightening torque	
	0.08 N·m

4

For I-spec II



# SHIMANO

**SHIMANO AMERICAN CORPORATION**

One Holland, Irvine, California 92618, U.S.A. Phone: +1-949-951-5003

**SHIMANO EUROPE B.V.**

High Tech Campus 92, 5656 AG Eindhoven, The Netherlands Phone: +31-402-612222

**SHIMANO INC.**

3-77 Oimatsu-cho, Sakai-ku, Sakai-shi, Osaka 590-8577, Japan

Please note: specifications are subject to change for improvement without notice. (English)

© Feb. 2017 by Shimano Inc. ITP