

Dealer's Manual

| | | |
|-------------------------------|-------------|----------|
| ROAD | MTB | Trekking |
| City Touring/ Comfort Bike | URBAN SPORT | E-BIKE |

Front Hub/Freehub (Standard type)

HB-TX500

FH-TX500

FH-TY500

CONTENTS

| | |
|--|-----------|
| IMPORTANT NOTICE | 3 |
| TO ENSURE SAFETY..... | 4 |
| LIST OF TOOLS TO BE USED..... | 6 |
| INSTALLATION..... | 8 |
| Front hub..... | 8 |
| Freehub..... | 9 |
| MAINTENANCE..... | 11 |
| Front hub..... | 11 |
| Freehub..... | 12 |
| Replacement of the freewheel body..... | 13 |

IMPORTANT NOTICE

- **This dealer's manual is intended primarily for use by professional bicycle mechanics.**

Users who are not professionally trained for bicycle assembly should not attempt to install the components themselves using the dealer's manuals. If any part of the information on the manual is unclear to you, do not proceed with the installation. Instead, contact your place of purchase or a local bicycle dealer for their assistance.

- Make sure to read all instruction manuals included with the product.
- Do not disassemble or modify the product other than as stated in the information contained in this dealer's manual.
- All dealer's manuals and instruction manuals can be viewed on-line on our website (<http://si.shimano.com>).
- Please observe the appropriate rules and regulations of the country, state or region in which you conduct your business as a dealer.

For safety, be sure to read this dealer's manual thoroughly before use, and follow it for correct use.

The following instructions must be observed at all times in order to prevent personal injury and physical damage to equipment and surroundings. The instructions are classified according to the degree of danger or damage which may occur if the product is used incorrectly.

 **DANGER**

Failure to follow the instructions will result in death or serious injury.

 **WARNING**


Failure to follow the instructions could result in death or serious injury.

 **CAUTION**

Failure to follow the instructions could cause personal injury or physical damage to equipment and surroundings.

TO ENSURE SAFETY

WARNING

- **Be sure to follow the instructions provided in the manuals when installing the product.**
It is recommended to use genuine Shimano parts only. If parts such as bolts and nuts become loose or damaged, the bicycle may suddenly fall over, which may cause serious injury.
In addition, if adjustments are not carried out correctly, problems may occur, and the bicycle may suddenly fall over, which may cause serious injury.
-  Be sure to wear safety glasses or goggles to protect your eyes while performing maintenance tasks such as replacing parts.
- After reading the dealer's manual thoroughly, keep it in a safe place for later reference.

Be sure to also inform users of the following:

- **Check that the wheels are fastened securely before riding the bicycle. If the wheels are loose in any way, they may come off the bicycle and serious injury may result.**
- Failure to properly install this quick release hub (wheel) onto your bicycle may cause the wheel to become detached from the bicycle while you are riding and result in serious bodily injury.
- Make sure to read the instruction manual for the quick release lever.

For Installation to the Bicycle, and Maintenance:

- Use a front fork which is equipped with a wheel retention mechanism.

NOTE

Be sure to also inform users of the following:

- Do not lubricate the internal parts of the hub. Otherwise, grease will flow out.
- Products are not guaranteed against natural wear and deterioration from normal use and aging.
- For maximum performance we highly recommend Shimano lubricants and maintenance products.

For Installation to the Bicycle, and Maintenance:






- If the wheel becomes stiff and difficult to turn, lubricate it with grease.

The actual product may differ from the illustration because this manual is intended mainly to explain the procedures for using the product.

LIST OF TOOLS TO BE USED

LIST OF TOOLS TO BE USED

The following tools are needed for installation, adjustment, and maintenance purposes.

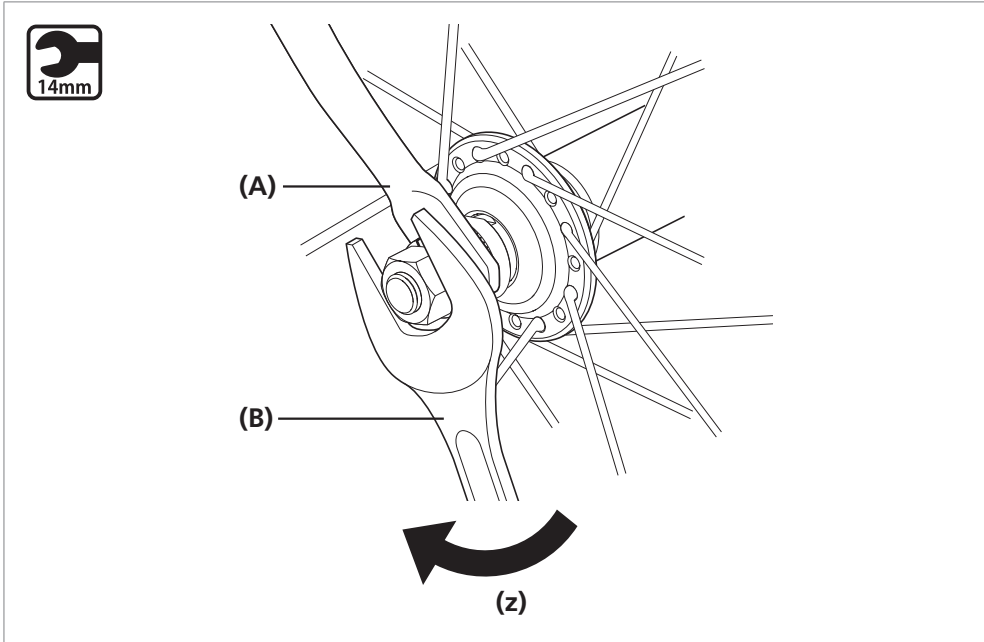
| Tool | | Tool | |
|--|----------------------|---|---------------|
|  | 12 mm Hexagon wrench |  | 15 mm spanner |
|  | 13 mm spanner |  | 17 mm spanner |
|  | 14 mm spanner | | |

INSTALLATION

INSTALLATION

■ Front hub

Nut type



(z) Tighten

(A) Front fork

(B) 14 mm spanner

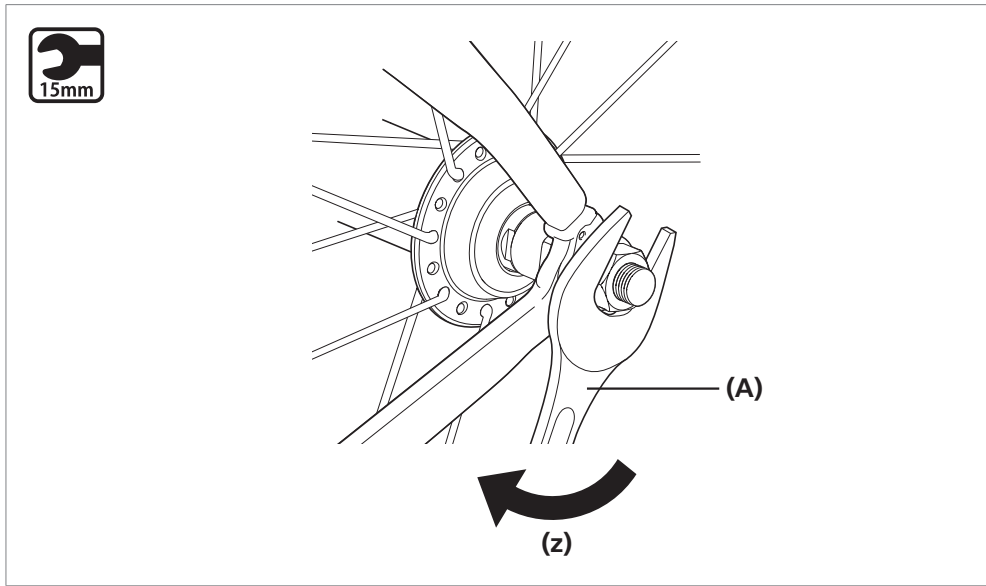
Tightening torque



20 - 25 N·m

■ Freehub

Nut type



(z) Tighten

(A) 15 mm spanner

Tightening torque



30 - 45 N·m

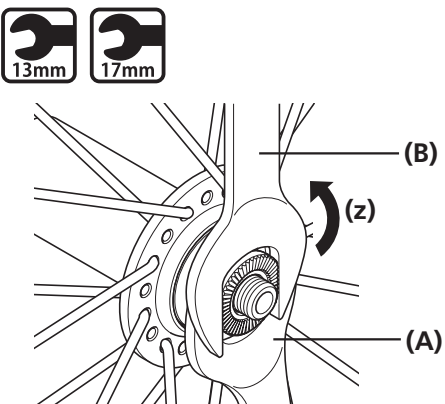
MAINTENANCE

MAINTENANCE

■ Front hub

Quick release type



1



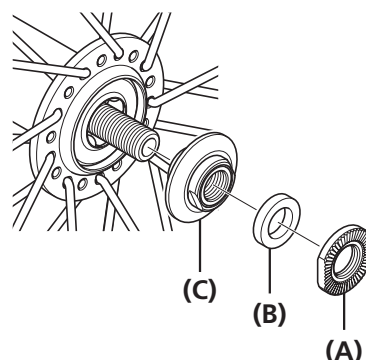
Use the spanner to loosen the lock nut on the double-lock section.

(z) Disassembly

- (A) 13 mm spanner
- (B) 17 mm spanner

| Tightening torque | |
|---|-------------|
|  13mm | 15 - 17 N·m |
|  17mm | |

2



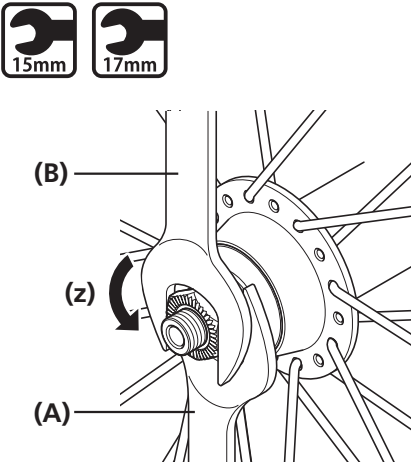
Remove as shown in the illustration.

- (A) Lock nut
- (B) Washer
- (C) Cone

Freehub

Quick release type



1



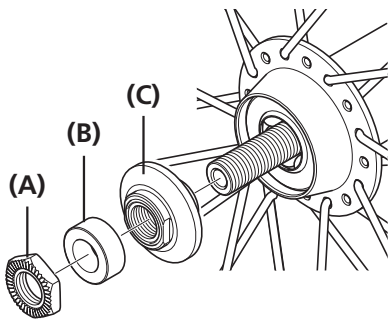
Use the spanner to loosen the lock nut on the double-lock section.

(z) Disassembly

- (A) 15 mm spanner
- (B) 17 mm spanner

| Tightening torque | |
|---|-------------|
|  | 10 - 15 N·m |
|  | |

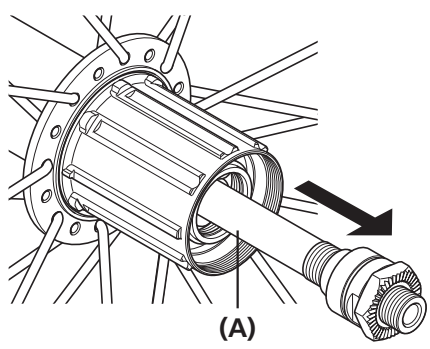
2



Remove as shown in the illustration.

- (A) Lock nut
- (B) Axle spacer
- (C) Cone

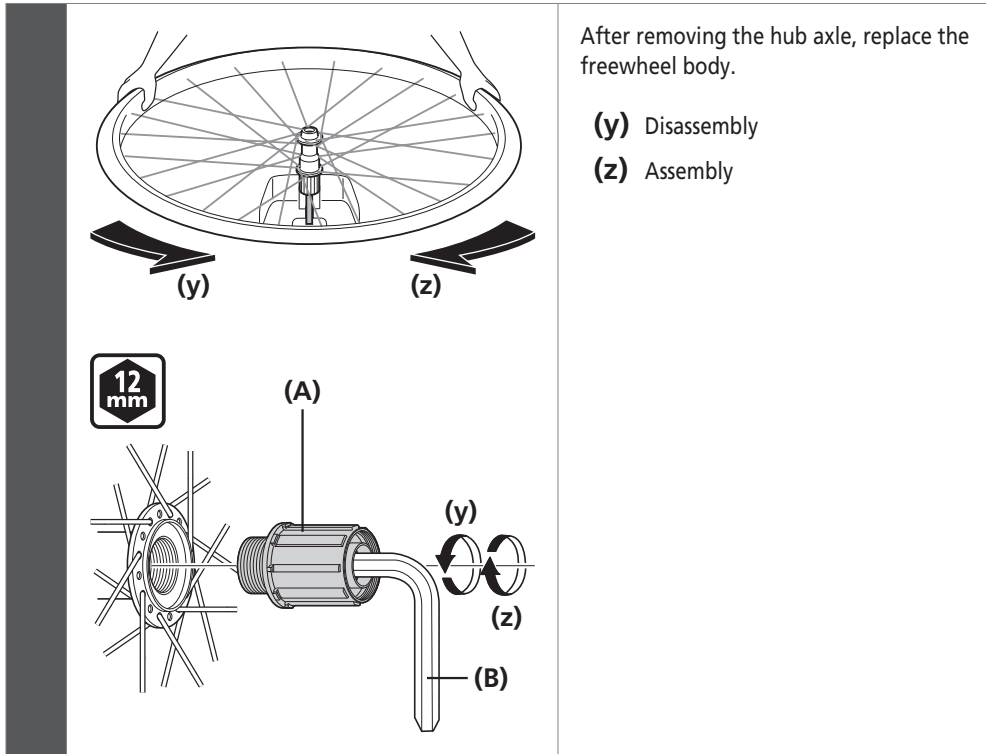
3



Pull out the hub axle from the freewheel body.

- (A) Hub axle


■ Replacement of the freewheel body



After removing the hub axle, replace the freewheel body.

- (y) Disassembly
- (z) Assembly

- (A) Freewheel body
- (B) 12 mm Hexagon wrench

| Tightening torque | |
|---|---------------|
|  | 147 - 200 N·m |

NOTE

Do not attempt to disassemble the freewheel body, because it may result in a malfunction.

SHIMANO

SHIMANO NORTH AMERICA BICYCLE, INC.

One Holland, Irvine, California 92618, U.S.A. Phone: +1-949-951-5003

SHIMANO EUROPE B.V.

High Tech Campus 92, 5656 AG Eindhoven, The Netherlands Phone: +31-402-612222

SHIMANO INC.

3-77 Oimatsu-cho, Sakai-ku, Sakai-shi, Osaka 590-8577, Japan

Please note: specifications are subject to change for improvement without notice. (English)

© Oct. 2017 by Shimano Inc. ITP