

Dealer's Manual

ROAD	MTB	Trekking
City Touring/ Comfort Bike	URBAN SPORT	E-BIKE

Front light

NEXUS

LP-C2200
LP-C2201
LP-C2207
LP-C2250

CONTENTS

IMPORTANT NOTICE	3
TO ENSURE SAFETY.....	4
LIST OF TOOLS TO BE USED.....	6
INSTALLATION.....	8
Light.....	8
Installing the front light.....	9
Connecting to the hub dynamo.....	14
Connecting cables and the connector	15
How to secure the cord in place (handlebar type).....	17

IMPORTANT NOTICE

- **This dealer's manual is intended primarily for use by professional bicycle mechanics.**

Users who are not professionally trained for bicycle assembly should not attempt to install the components themselves using the dealer's manuals. If any part of the information on the manual is unclear to you, do not proceed with the installation. Instead, contact your place of purchase or a local bicycle dealer for their assistance.

- Make sure to read all instruction manuals included with the product.
- Do not disassemble or modify the product other than as stated in the information contained in this dealer's manual.
- All dealer's manuals and instruction manuals can be viewed on-line on our website (<http://si.shimano.com>).
- Please observe the appropriate rules and regulations of the country, state or region in which you conduct your business as a dealer.

For safety, be sure to read this dealer's manual thoroughly before use, and follow it for correct use.

The following instructions must be observed at all times in order to prevent personal injury and physical damage to equipment and surroundings. The instructions are classified according to the degree of danger or damage which may occur if the product is used incorrectly.

 **DANGER**

Failure to follow the instructions will result in death or serious injury.

 **WARNING**


Failure to follow the instructions could result in death or serious injury.

 **CAUTION**

Failure to follow the instructions could cause personal injury or physical damage to equipment and surroundings.

TO ENSURE SAFETY

WARNING

- **Be sure to follow the instructions provided in the manuals when installing the product.**
It is recommended to use genuine Shimano parts only. If parts such as bolts and nuts become loose or damaged, the bicycle may suddenly fall over, which may cause serious injury.
In addition, if adjustments are not carried out correctly, problems may occur, and the bicycle may suddenly fall over, which may cause serious injury.
-  Be sure to wear safety glasses or goggles to protect your eyes while performing maintenance tasks such as replacing parts.
- After reading the dealer's manual thoroughly, keep it in a safe place for later reference.

CAUTION

- Hub dynamos generate large amounts of power. When riding or rotating the wheels, never touch the connection terminals of the hub dynamo. Doing so may result in electric shock.

Be sure to also inform users of the following:

- Check that the front light is on during night riding.

NOTE

Be sure to also inform users of the following:

- Connect and use a hub dynamo that is compatible with the light.
- Check that the hub dynamo connection terminal is securely connected before using the hub dynamo.
- The light may flicker at speeds between 4 and 10 km/h.
- The front light is always turned on when riding.
- The light bulb for the LED-equipped front and tail light cannot be replaced; replace the device.
- This product supports only 6 V, 0.9 W hub dynamos. Use a 0.9 W Shimano hub dynamo.
- Make sure that the front light does not dazzle oncoming persons.

For Installation to the Bicycle, and Maintenance:



- Also read the manual for the hub dynamo.
- Products are not guaranteed against natural wear and deterioration from normal use and aging.
- For maximum performance we highly recommend Shimano lubricants and maintenance products.

The actual product may differ from the illustration because this manual is intended mainly to explain the procedures for using the product.

LIST OF TOOLS TO BE USED

LIST OF TOOLS TO BE USED

The following tools are needed for installation, adjustment, and maintenance purposes.

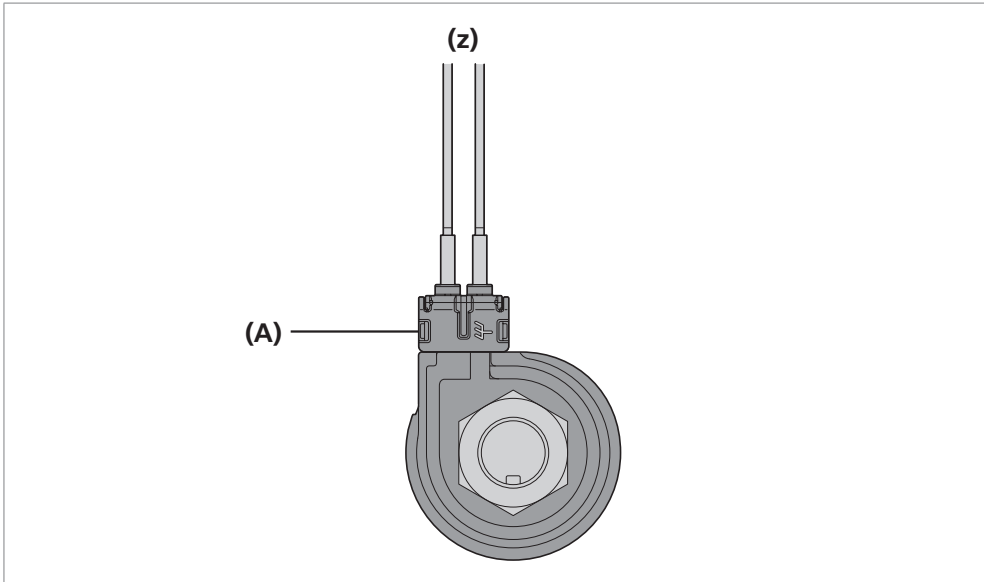
Tool		Tool	
 10mm	10 mm spanner	 #2	Screwdriver[#2]

INSTALLATION

INSTALLATION

■ Light

- These lights adhere to Japanese Industrial Standards (JIS) when used within the system.
- 6 V-0.9 W hub dynamos with the J2-A terminal, such as DH-C2100, are supported.



(z) J2-A terminal

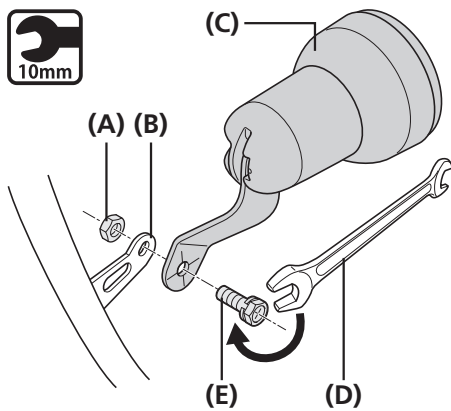
(A) Connector

INSTALLATION

▶▶ Installing the front light

■ Installing the front light

Light stay type



Install the LED light to the dynamo mount stay of the front fork as shown in the illustration.

- (A) Fixing nut
- (B) Dynamo mount stay
- (C) LED light
- (D) 10 mm spanner
- (E) Fixing bolt with spring washer

Tightening torque

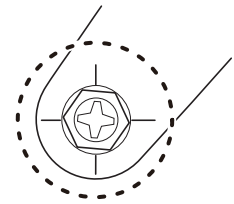


5 - 6 N·m

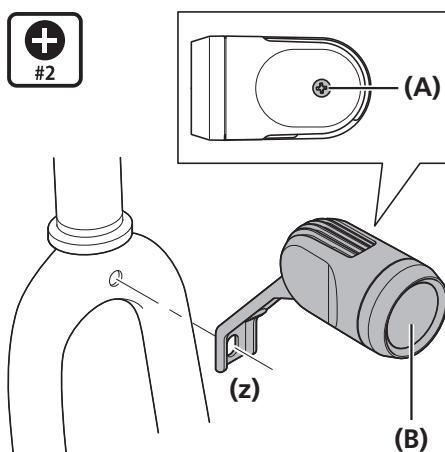


TECH TIPS

When installing, make sure that the lines on the installation section of the LED light are parallel and perpendicular to the ground.



Center mount type



Install as shown in the illustration.

(z) Hole diameter : 6.5 x 10

- (A) Angle adjustment bolt
- (B) Sensor-equipped LED light

Angle adjustment bolt tightening torque



2.5 - 3 N·m

NOTE

Mounting bolt units are not supplied with Shimano products.

Fixing bolt tightening torque

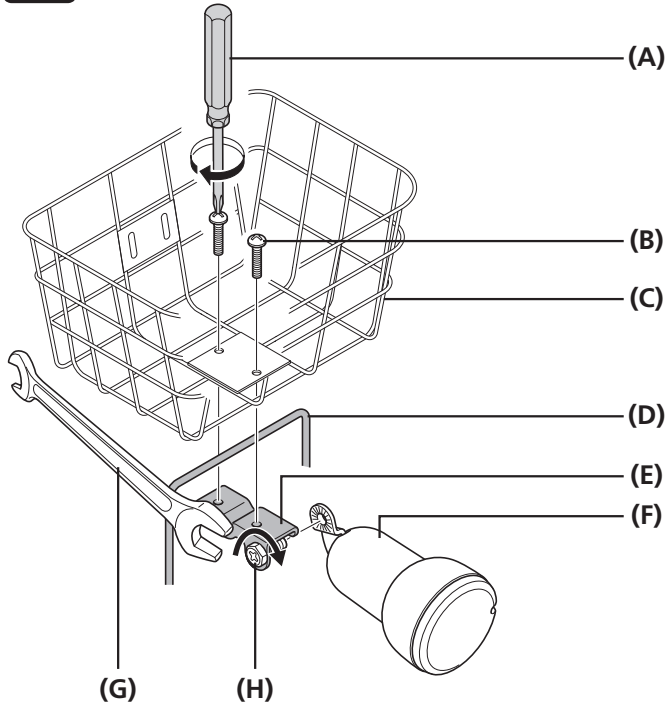
5 - 6 N·m

Under basket mount type

LP-C2200/LP-C2201

Install the LED light in the order shown in the illustration.

At that time, install the LED light so that the light does not shift between the basket stay and the front basket.



- (A) Screwdriver[#2]
- (B) Front basket mounting bolt (M5)
- (C) Front basket
- (D) Basket stay
- (E) Fixing plate
- (F) LED light
- (G) 10 mm spanner
- (H) Angle adjustment bolt

Tightening torque



3 - 4 N·m

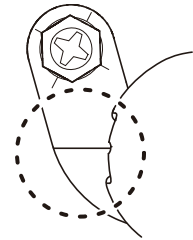
NOTE

The cable and tire may come into close proximity. When installing, ensure that there is sufficient distance from the tire.



TECH TIPS

After installation, adjust the light so that the line on the installation section of the LED light is parallel to the ground.



Tightening torque



6 - 7 N·m

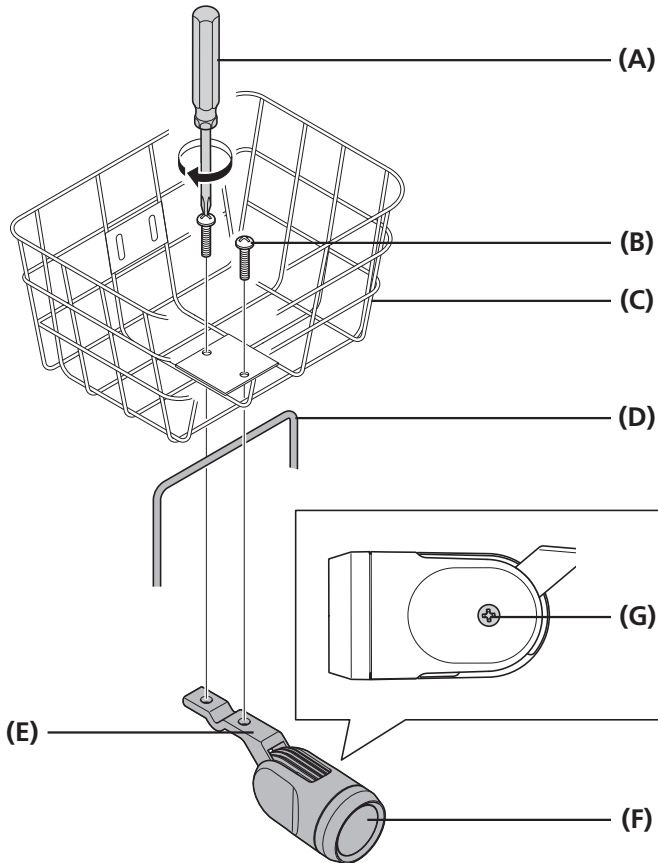
INSTALLATION

▶▶ Installing the front light

LP-C2207

Install the LED light in the order shown in the illustration.

At that time, install the LED light so that the light does not shift between the basket stay and the front basket.



- (A) Screwdriver[#2]
- (B) Front basket mounting bolt (M5)
- (C) Front basket
- (D) Basket stay
- (E) Fixing plate
- (F) LED light
- (G) Angle adjustment bolt

Tightening torque



3 - 4 N·m

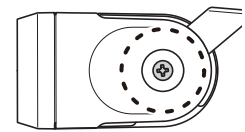
NOTE

The cable and tire may come into close proximity.
When installing, ensure that there is sufficient distance from the tire.



TECH TIPS

Adjust the LED light so that it can illuminate 5 m ahead.



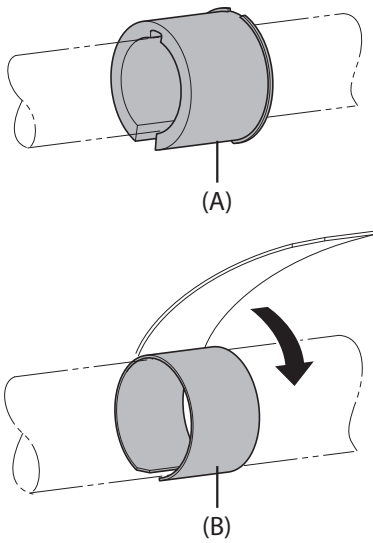
Tightening torque



2.5 - 3 N·m

Handlebar type

1



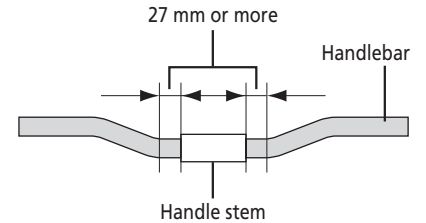
Handlebar diameter of $\varnothing 22.2/\varnothing 25.4$
Install an adapter that accommodates the handlebar depth ($\varnothing 22.2/\varnothing 25.4$) to the handlebar.
As shown in the illustration, install the adapter so that the unmarked side is on the right side of the light and the notch is on the bottom.

Handlebar diameter of $\varnothing 31.8$
Wind the adapter (rubber sheet) around the handlebar.

- (A) Adapter ($\varnothing 22.2/\varnothing 25.4$)
- (B) Adapter (rubber sheet, $\varnothing 31.8$)

NOTE

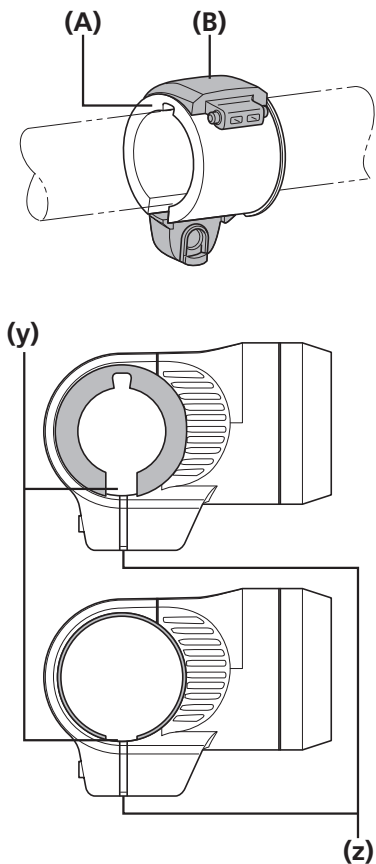
Use a handlebar where the straight sections on both ends of the handle stem are 27 mm or longer.



TECH TIPS

Use $\varnothing 22.0$ to $\varnothing 22.4$ ($\varnothing 22.2$ adapter), $\varnothing 25.2$ to $\varnothing 25.6$ ($\varnothing 25.4$ adapter), or $\varnothing 31.6$ to $\varnothing 32.0$ ($\varnothing 31.8$ adapter), according to the diameter of the handlebar on which to install the light.

2



Adjust the angle of the stay, then install it to the adapter.

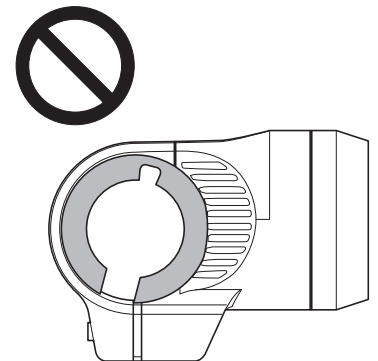
Make sure that the matching surfaces of the stay and LED light overlap the gap in the adapter.

- (y) Gap in adapter
- (z) Stay and LED light matching surfaces

- (A) Adapter
- (B) Stay

NOTE

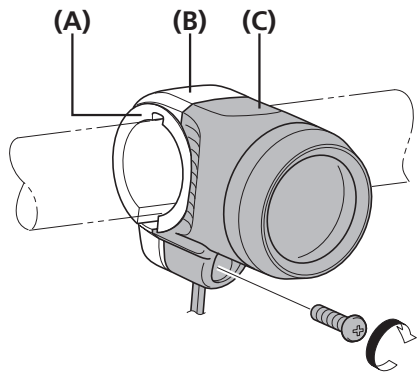
If installed in an orientation like that shown in the illustration, the cord and adapter could be pinched.



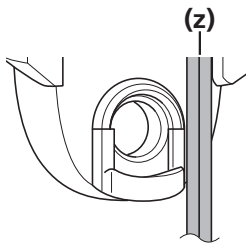
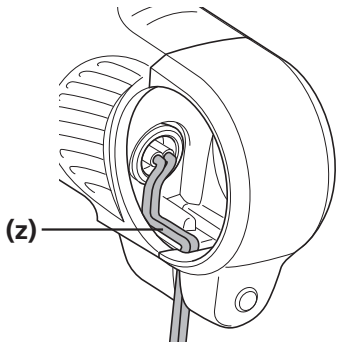
INSTALLATION

▶▶ Installing the front light

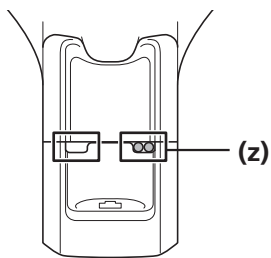
3



Rear side



Bottom side



Install the LED light to the stay.
Before installing, place the LED light cord inside the groove on the LED light and stem side of the stay. (z)
Do not secure in place with the cord pulled.

- (A) Adapter
- (B) Stay
- (C) LED light

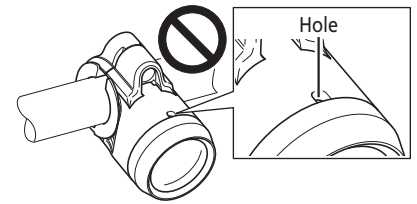
Tightening torque



0.3 - 0.4 N·m

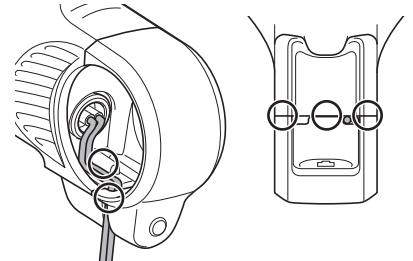
NOTE

The hole in the bottom of the light acts as a drain for water such as rain. Installation in the opposite direction, as shown in the illustration, may cause water to enter and the light becoming defective.



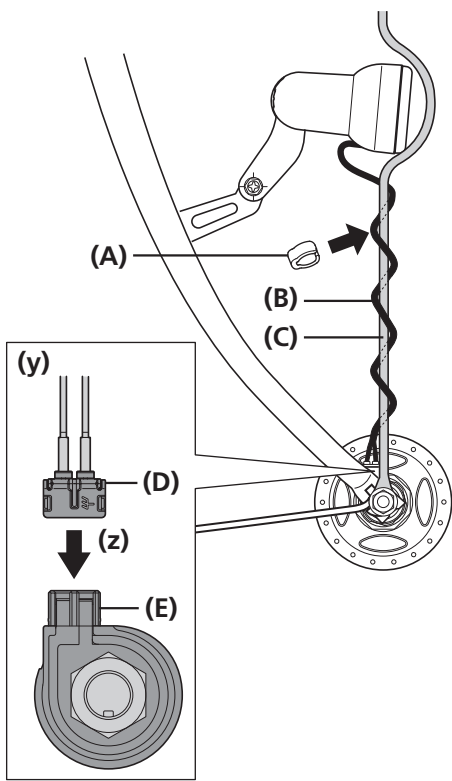
TECH TIPS

Hold the cord down with your hand as you tighten the screw, so that the section of the cord circled in the illustration below is not pinched. Be careful not to pinch your hand.



■ Connecting to the hub dynamo

When a basket stay is fitted

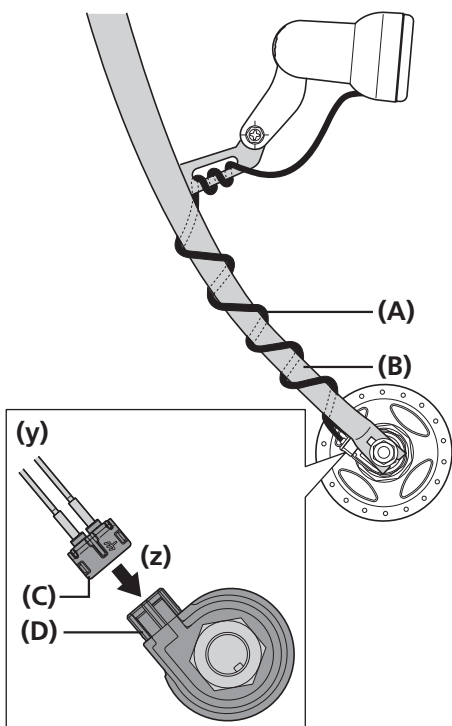


Wind the LED light cable around the basket stay, and then attach the connector to the connection terminal for the hub dynamo.

- (y) J2-A terminal
- (z) Connect

- (A) Cable fixing clip
- (B) Cable
- (C) Basket stay
- (D) Connector
- (E) Connection terminal

When a basket stay is not fitted



Wind the LED light cable around the front fork, and then attach the connector to the connection terminal for the hub dynamo.

- (y) J2-A terminal
- (z) Connect

- (A) Cable
- (B) Front fork
- (C) Connector
- (D) Connection terminal

NOTE

Route the cable so that it does not get caught in the wheel etc., cut it at the appropriate length, and secure it in place. After routing, attach the connector to the end. If routing the cable internally, remove the coating from the end after routing.



TECH TIPS

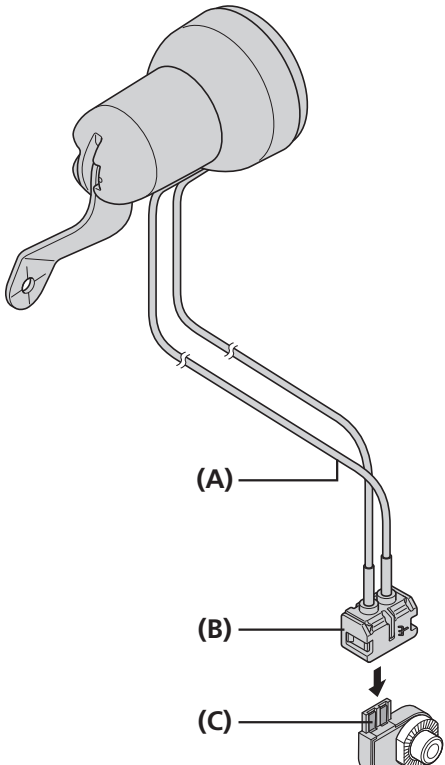
If the cable loosens, fix it with a zip tie.

■ Connecting cables and the connector

If you wish to replace the connector or change the length of the cable, perform the following procedure.

1

Hub dynamo connection terminal



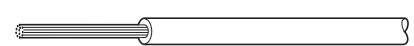
(A) Mark
(B) Connector
(C) Connection terminal

Twist the conducting wires of the cable together before connecting them so that they stay together.

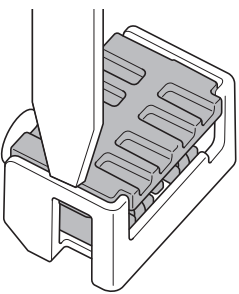
- (A)** Mark
- (B)** Connector
- (C)** Connection terminal

 **TECH TIPS**

Conducting wire specifications:
 Conducting wire size (AWG) 22
 Diameter: approx. 0.8 mm

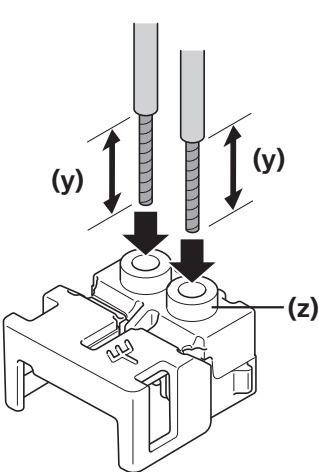


2



Open the connector using a slotted screwdriver or similar tool as shown in the illustration.

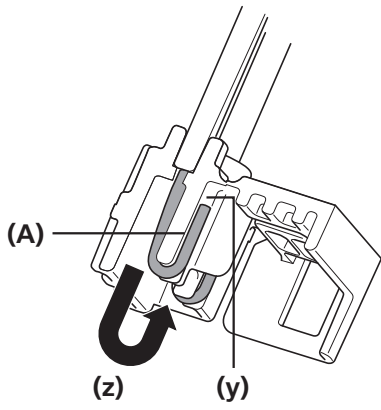
3



(y) Approx. 15 mm
(z) Ground side

Insert the cable with the marking into the ground side of the connector.

4



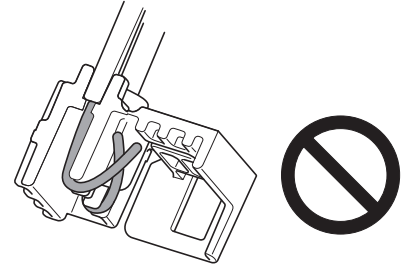
Twist the conducting wires of the cable, pass them through the connector, and then bend to insert them into the grooves.

- (y) Insert
- (z) Bend

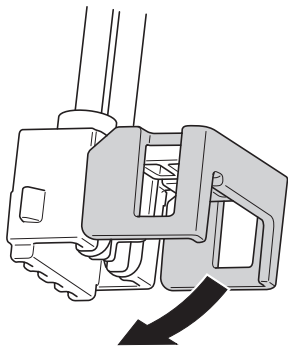
(A) Groove

NOTE

Make sure that the conducting wires are not in contact with each other.



5

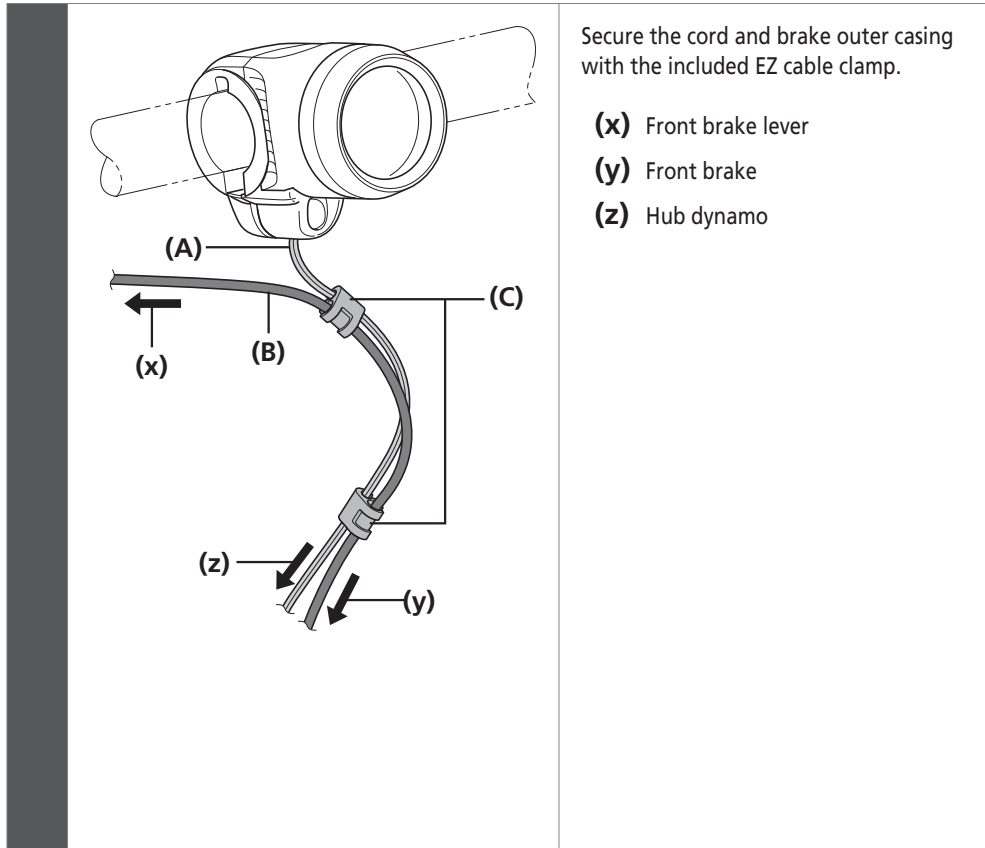


Close the connector until you hear a click.

INSTALLATION

▶▶ How to secure the cord in place (handlebar type)

■ How to secure the cord in place (handlebar type)

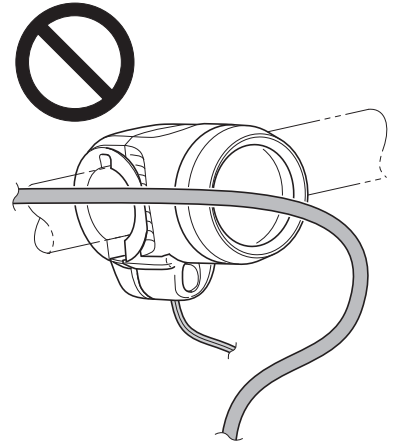


- (A) Cable
- (B) Brake outer casing
- (C) EZ cable clamp



TECH TIPS

Make sure that the brake cable and shift cable do not obstruct the light illumination surface (as shown in the illustration).



SHIMANO

SHIMANO NORTH AMERICA BICYCLE, INC.

One Holland, Irvine, California 92618, U.S.A. Phone: +1-949-951-5003

SHIMANO EUROPE B.V.

High Tech Campus 92, 5656 AG Eindhoven, The Netherlands Phone: +31-402-612222

SHIMANO INC.

3-77 Oimatsu-cho, Sakai-ku, Sakai-shi, Osaka 590-8577, Japan

Please note: specifications are subject to change for improvement without notice. (English)

© Oct. 2017 by Shimano Inc. ITP