

# CONTENTS

## **Compatibility** (in English only)

Cautions regarding LINKGLIDE 11-speed specifications

LINKGLIDE cassette sprocket and FREEHUB compatibility (C-649)

Drivetrain for MTB, LIFESTYLE components

Rear drivetrain compatibility

- 9,10,11-speed rear drivetrain compatibility
- 11-speed rear drivetrain
- 10-speed rear drivetrain
- 9-speed rear drivetrain

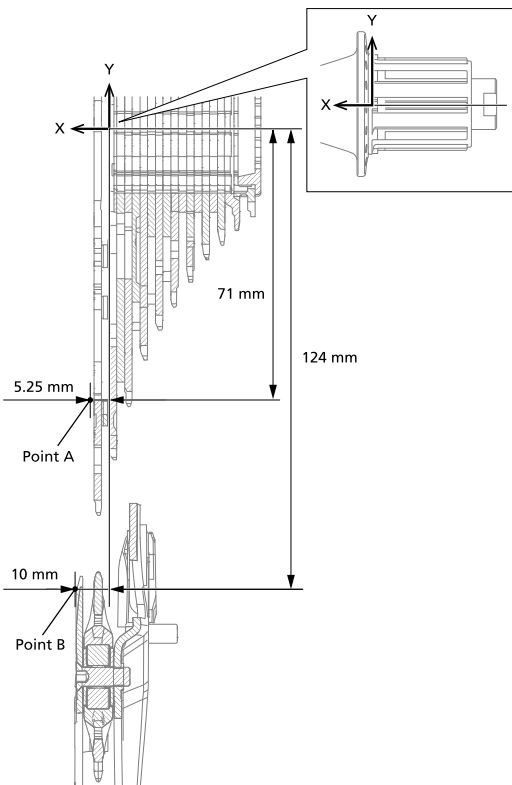
Front drivetrain compatibility

- 11-speed front drivetrain
- 10-speed front drivetrain
- 9-speed front drivetrain

# Compatibility

## Cautions regarding LINKGLIDE 11-speed specifications

When using 11-speed specification LINKGLIDE, interference may occur with the rear derailleur and spokes. Check dimensions beforehand, and check that points A and B do not interfere with the spokes or other parts.



### TECH TIPS

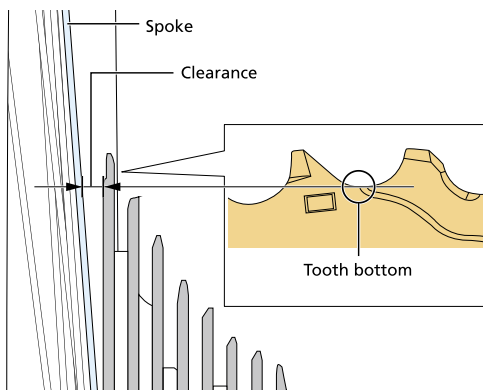
It is also possible to check for interference by using the cassette sprockets listed below and measuring the clearance between the largest sprocket and the spokes, etc.

HG 11-speed 11-51T (CS-M5100): 8.5 mm or more

HG 11-speed 11-46T (CS-M8000/CS-M7000): 7.5 mm or more

LG 11-speed 11-50T (CS-LG600): 6.5 mm or more

\* The latest model information can be accessed on our website (<https://productinfo.shimano.com/#/>).



# LINKGLIDE cassette sprocket and FREEHUB compatibility

LINKGLIDE cassette sprockets are not compatible with MICRO SPLINE FREEHUB.

Freewheel body type	FREEHUB spec.	Model No.	CS-LG700-11 CS-LG600-11 CS-LG400-11	CS-LG600-10 CS-LG400-10 CS-LG300-10	CS-LG400-9 CS-LG300-9
HG spline M (10/9/8-speed, MTB 11-speed)	O.L.D. 148 mm, E-THRU type	FH-M8010-B	✓	✓	✓
		FH-M6010-B			
		<a href="#">FH-TC600-HM-B</a>			
		<a href="#">FH-TC500-HM-B</a>			
		FH-MT400-B			
	O.L.D. 141 mm, Quick release type	FH-MT200-B			
	O.L.D. 150 mm, E-THRU type	FH-M825	✓	✓	✓
	O.L.D. 135 mm, E-THRU type	FH-M820	- *2	✓	✓
	O.L.D. 142 mm, E-THRU type	FH-M8010	- *2	✓	✓
		FH-M6010			
		FH-MT400	✓	✓	✓
		<a href="#">FH-TC500-HM</a>			
	O.L.D. 135 mm, Quick release type	<a href="#">FH-M9000</a>	- *2	✓	✓
		FH-M8000			
		FH-M6000			
		FH-M4050			
		FH-M3050			
		FH-RM35			
		FH-TX505-8			
		<a href="#">FH-M756-A</a>			
FH-M525					
FH-M475					
FH-TX506					
FH-T610					
FH-T3000					
FH-TX500-8-QR					
FH-TX500-8-NT					
<a href="#">FH-QC400-HM</a>	✓	✓	✓		
<a href="#">FH-QC300-HM</a>					
O.L.D. 130 mm, Quick release type	FH-RS300	- *2	✓	✓	
HG spline L (ROAD 12/11-speed)	O.L.D. 142 mm, E-THRU type	FH-R7070	✓ *1	✓ *1	✓ *1
		FH-RS770			
		FH-RS470			
	O.L.D. 135 mm, Quick release type	FH-UR600	✓ *1	✓ *1	✓ *1
	O.L.D. 130 mm, Quick release type	FH-R7000	- *2	✓ *1	✓ *1
FH-RS400					

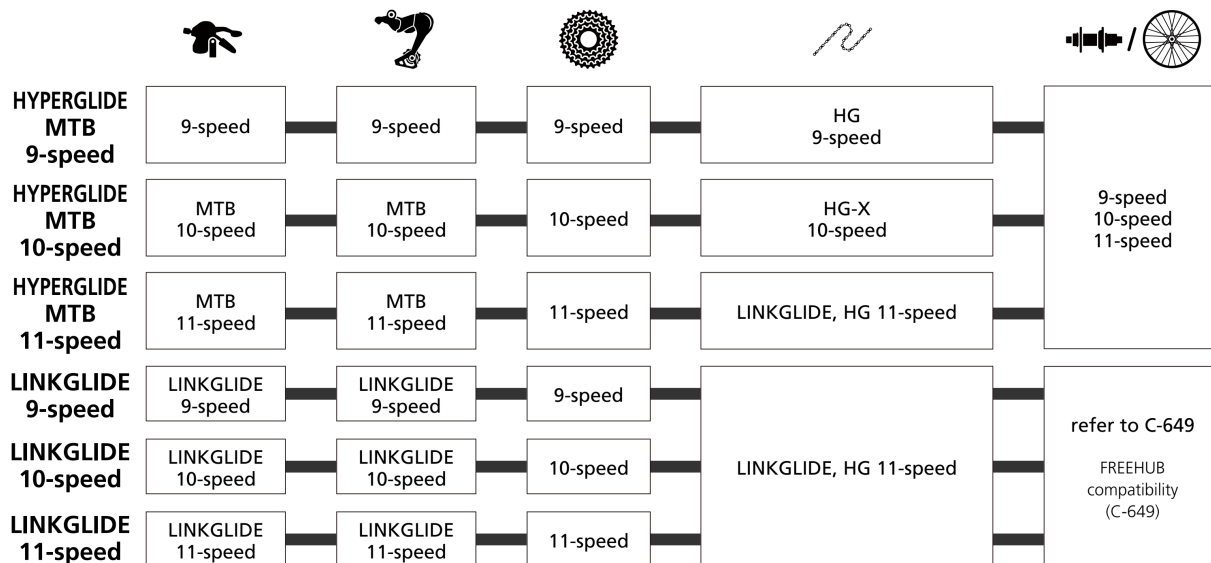
\*1 Need low spacer (1.85 mm.)

\*2 Interference may occur with the rear derailleur and spokes.

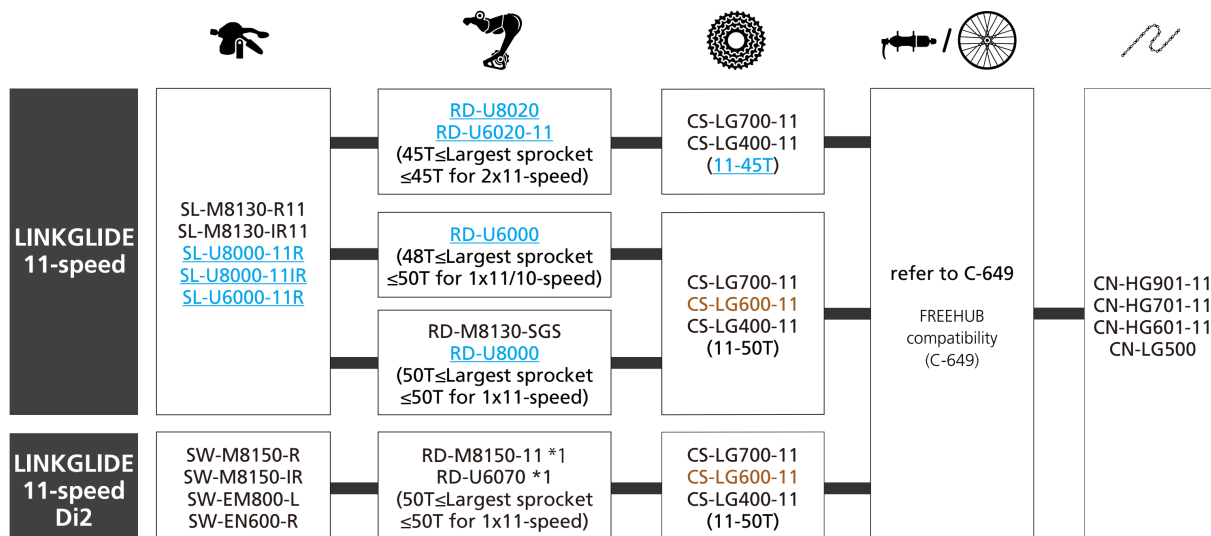
# Drivetrain for MTB, LIFESTYLE components

## Rear drivetrain compatibility

### 9,10,11-speed rear drivetrain compatibility

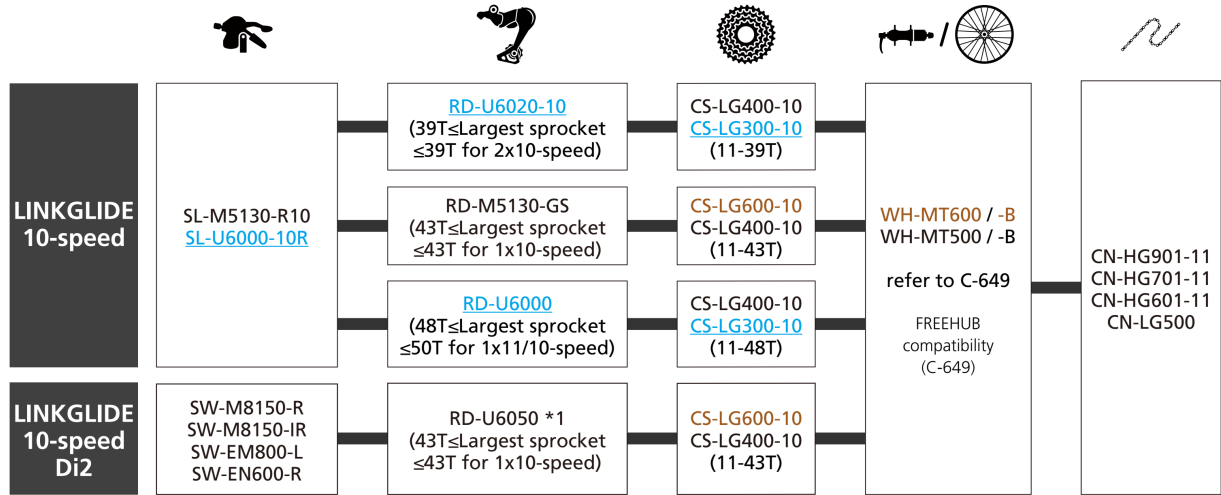


### 11-speed rear drivetrain



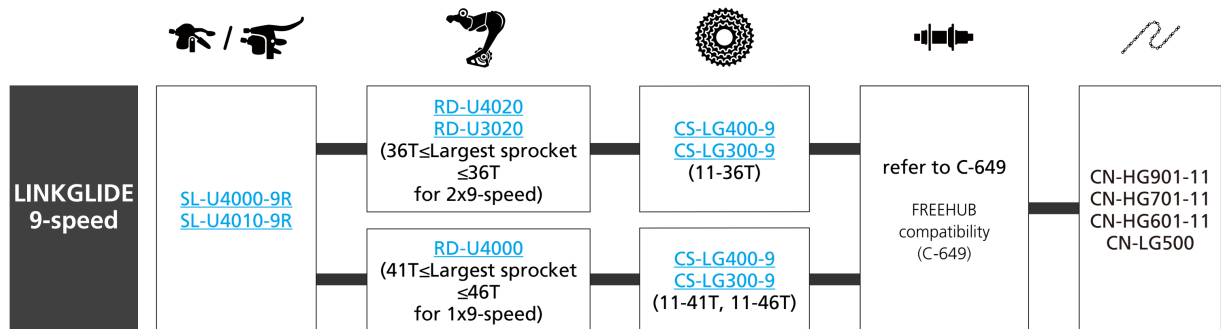
\*1 Only for E-BIKE

## 10-speed rear drivetrain



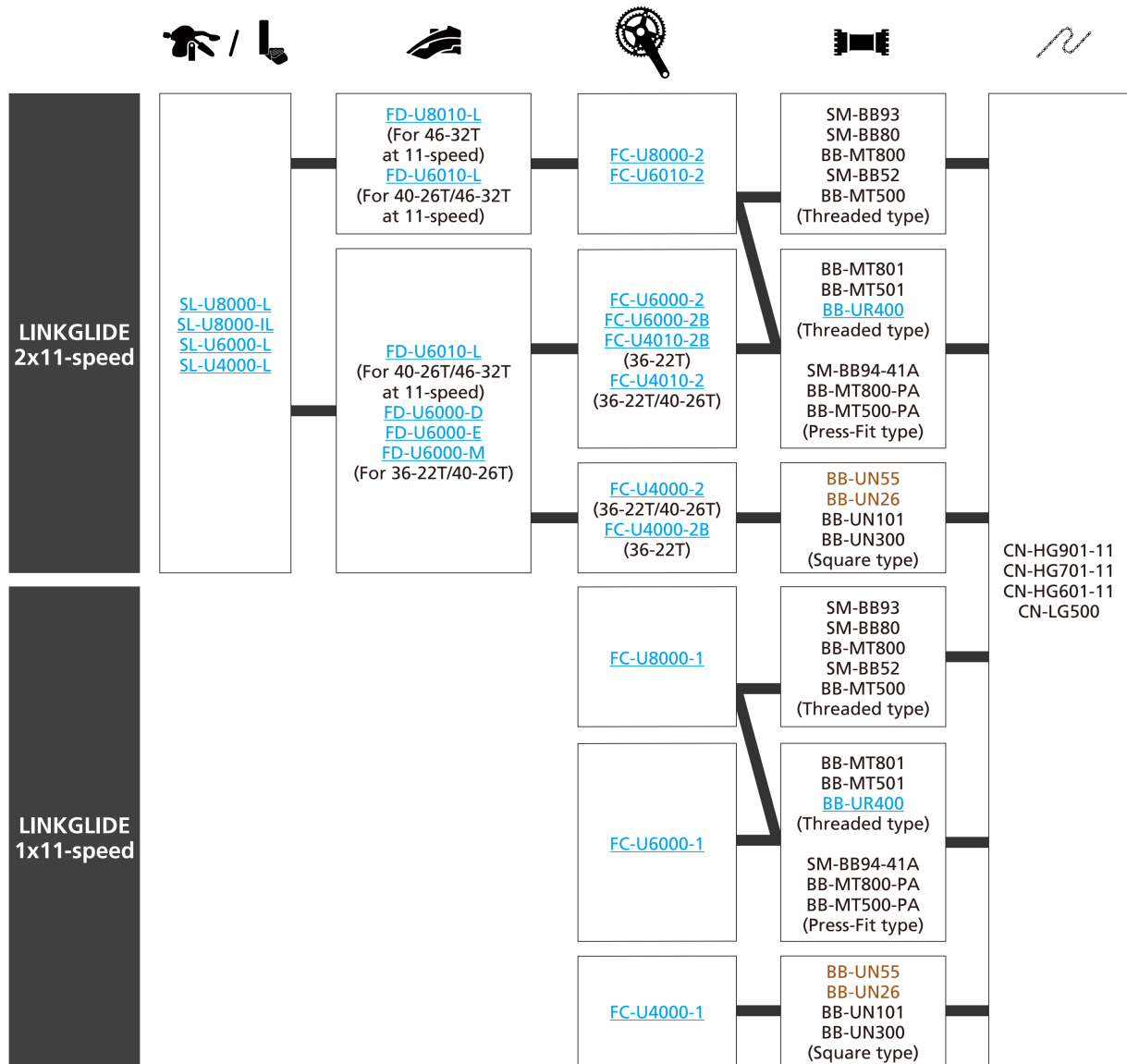
\*1 Only for E-BIKE

## 9-speed rear drivetrain

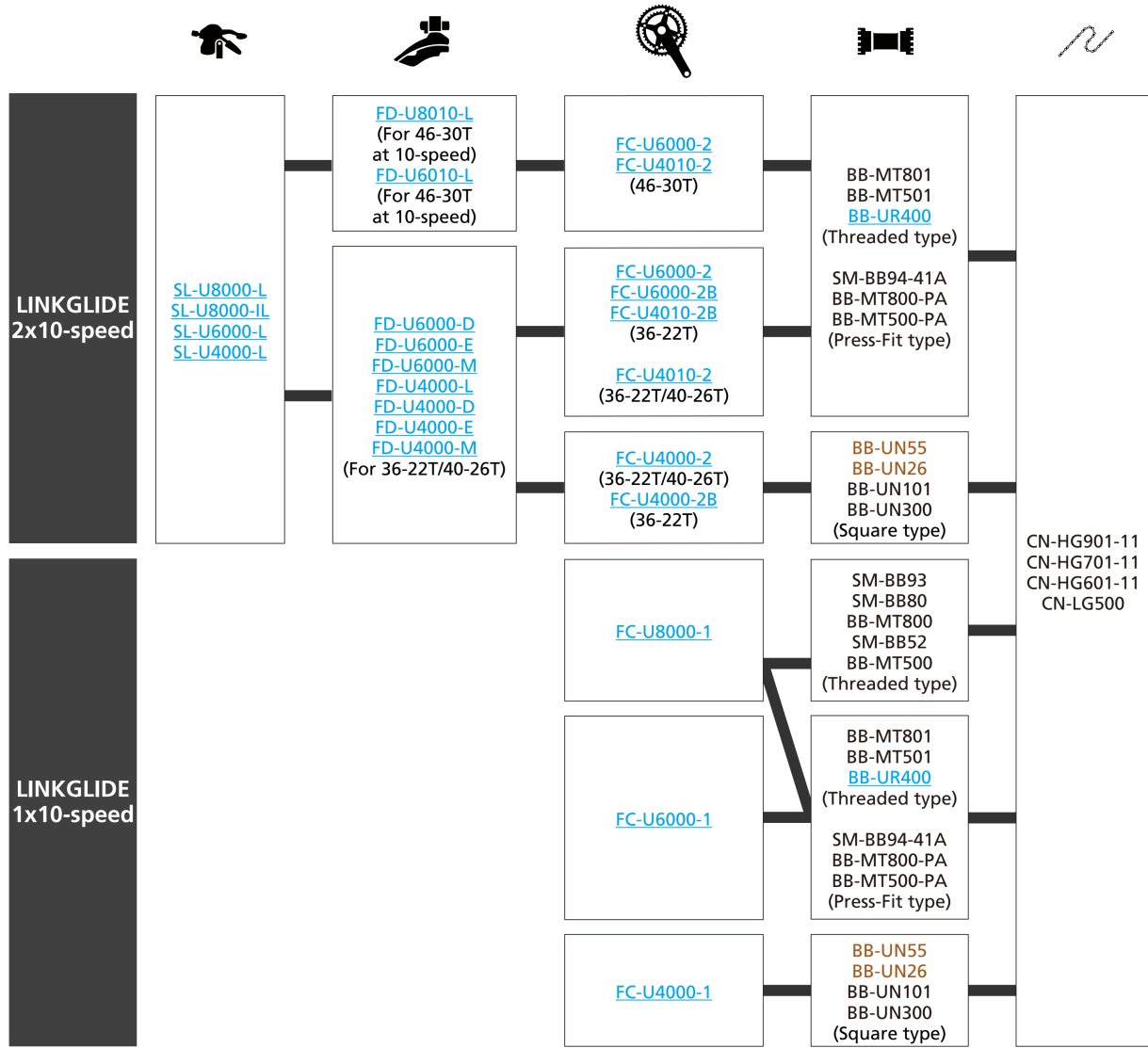


# Front drivetrain compatibility

## 11-speed front drivetrain



# 10-speed front drivetrain



# 9-speed front drivetrain

