

# SHIMANO®

## SHIMANO EUROPA

Industrieweg 24 NL-8071 CT Nunspeetâ Holland  
Phone 31-3412-72222

## SHIMANO AMERICAN CORPORATION

One Holland Irvine CA 92618 U.S.A.  
Phone 949-951-5003

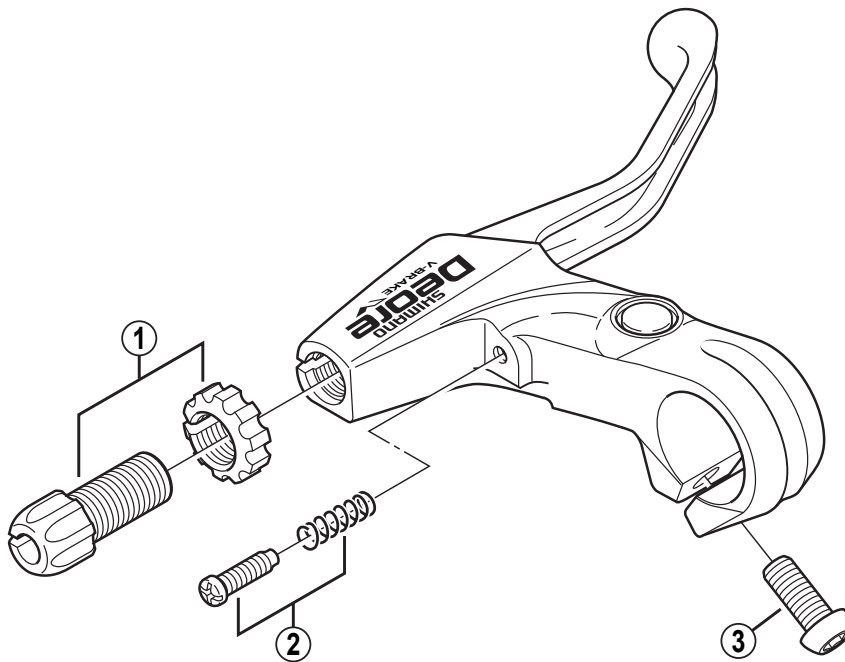
## Spare parts list for after market.

- You may photocopy this sheet and use it as an order form.
- Sie können dieses Blatt kopieren und als Bestellformular verwenden.
- Vous pouvez photocopier cette feuille et l'utiliser comme bon de commande.
- Dit blad kan gecopieerd en als bestelformulier gebruikt worden.
- Potete fotocopiare questo foglio e usarlo come modulo di commissione.

### SHIMANO DEORE V-Brake Lever (2-Finger)

**BL-M510-S** Silver Version

**BL-M510-L** Black Version



Q'TY	ITEM NO.	SHIMANO CODE NO.	DESCRIPTION
	1	Y-8XV98010	Cable Adjusting Bolt (M10 x 20) & Nut
	2	Y-8XV98020	Reach Adjusting Screw (M4 x 14.5) & Spring
	3	Y-89B 13500	Clamp Bolt (M6 x 14.8)

IL/BL Printed in Japan 9907-1900