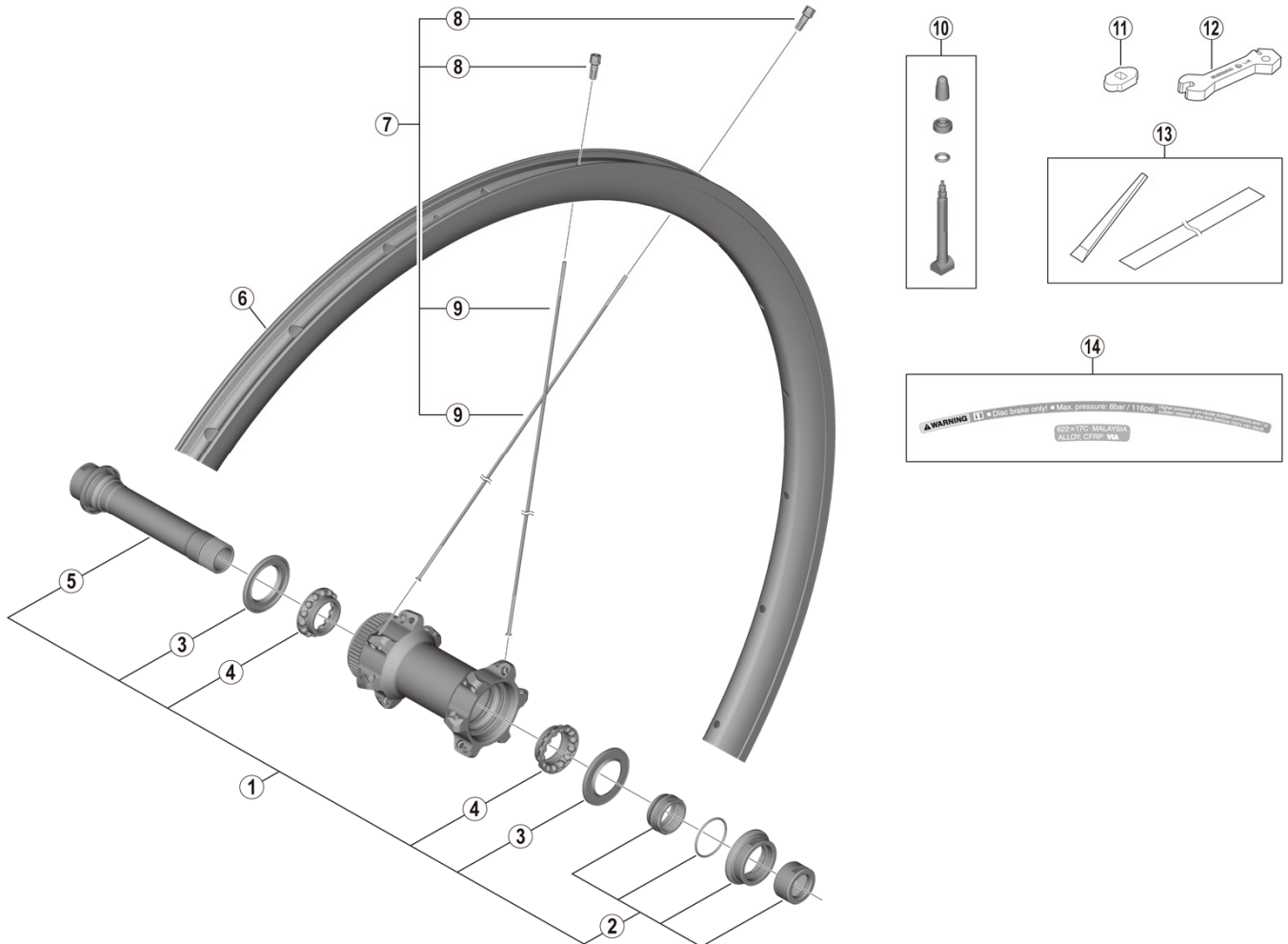


Front Wheel WH-RS770-C30-TL-F12



• Over Lock Nut Dimension: 100 mm

ITEM NO.	SHIMANO CODE NO.	DESCRIPTION	INTERCHANGE-ABILITY	
1	Y2BW98010	Complete hub axle	A	
2	Y2BW98020	Right hand lock nut unit	A	
3	Y26D10000	Seal ring	A	
4	Y0AY98030	Ball retainer (5/32")	A	
5	Y2BW98030	Hub axle unit	A	
6	EWHRIMZ2F5P	Rim {24H}		
7	EWHSPOKEY2739	Spoke unit {spoke (289.5 mm x 24 pcs.) / nipple (24 pcs.)}		
8	Y4SYN1000	Nipple		
9	Y0D4S1000	Spoke (289.5 mm)		
10	Y0D498010	Valve unit		
11	Y4RJ10000	Valve tool		
12	Y4SY11000	Nipple wrench 3.75		
* 13	Y0AN98040	Tubeless tape with spatula		
14	Y0D498020	Rim sticker unit		

A: Same parts.

B: Parts are usable, but differ in materials, appearance, finish, size, etc.

Absence of mark indicates non-interchangeability.

Specifications are subject to change without notice.

HB-RS770

Jun.-2021-4238C

© Shimano Inc. I

SHIMANO