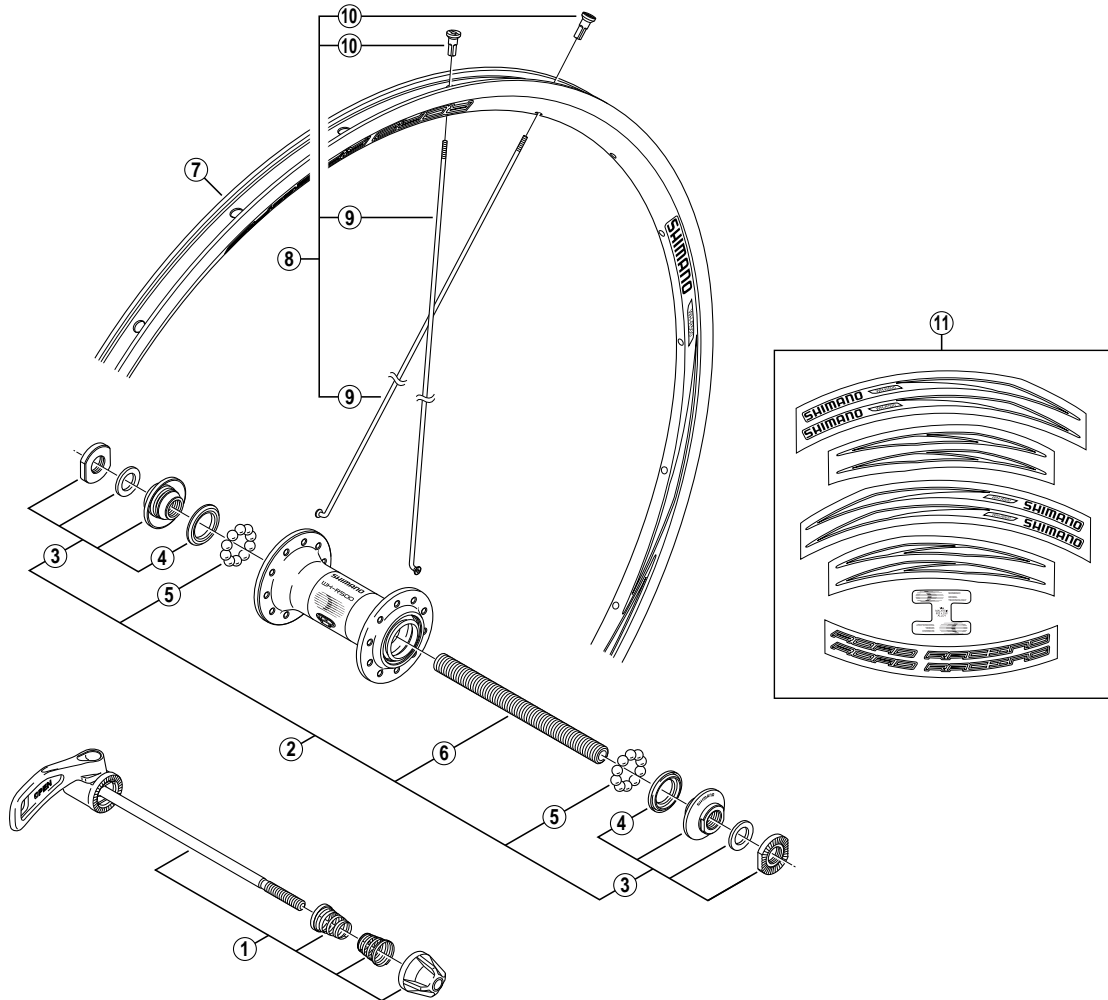


Front Wheel WH-R500-F (EU spec.)



• Over Lock Nut Dimension: 100 mm (3-15/16")

ITEM NO.	SHIMANO CODE NO.	DESCRIPTION	INTERCHANGEABILITY
1	Y-4BG98010	Complete Quick Release 133 mm (5-1/4")	A
2	Y-4BG98080	Complete Hub Axle 108 mm (4-1/4")	A
3	Y-4BG98090	Lock Nut Unit	A
4	Y-214 06000	Seal Ring	A
5	Y-000 91210	Steel Ball (3/16") 20 pcs.	A
6	Y-21C 03100	Hub Axle 108 mm (4-1/4")	A
7	E-WHRIMNFEBCE	Rim {20H / Anodized / Clincher}	
8	E-WHSPOKEPA1	Spoke Unit {Spoke (278 mm x 20 pcs.) / Nipple (20 pcs.)}	A
9	Y-012 3Z785	Spoke (278 mm)	A
10	Y-012 Y4341	Nipple	A
11	Y-4BG98110	Rim Sticker Unit	

A: Same parts.

B: Parts are usable, but differ in materials, appearance, finish, size, etc.

Absence of mark indicates non-interchangeability.

WH-R500

0610-2652

Specifications are subject to change without notice.

SHIMANO