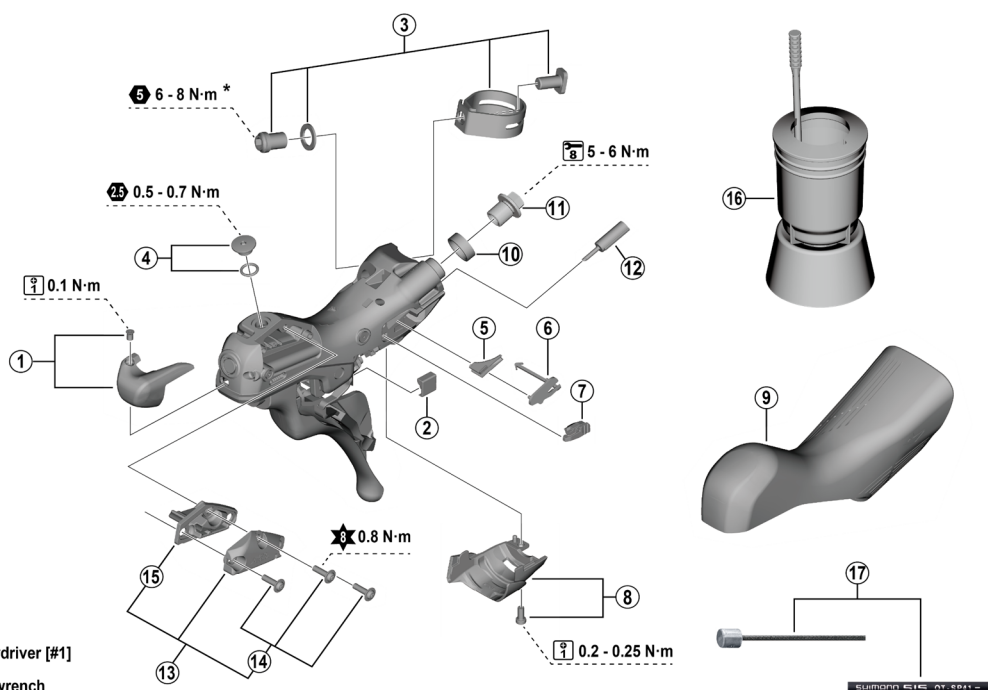


CUES DUAL CONTROL LEVER (For Disc Brake)

ST-U6030 (2x11/10-speed)



- 8 mm spanner
- Cross head screwdriver [#1]
- 2.5 mm hexagon wrench
- 5 mm hexagon wrench
- Hexalobular [#8]

* When installing parts onto a carbon frame/handlebar, confirm the recommended tightening torque with the carbon frame or handlebar manufacturer. This will prevent damage to the frame/handlebar due to over-torquing or inadequate securing of the components.

ST-R7120
ST-RX610

ITEM NO.	SHIMANO CODE NO.	DESCRIPTION	INTERCHANGEABILITY	
1	Y0TU98020	Name plate R and fixing screw		B
	Y0TV98010	Name plate L and fixing screw		B
2	Y05T00140	Main lever support R	A	A
	Y05U00100	Main lever support L	A	A
3	Y0E098030	Clamp band unit diameter (23.8 - 24.2 mm)	A	A
4	Y0F398030	Bleed screw and O-ring	A	A
5	Y0TU9801T	SL cable guide R		
	Y07V75000	SL cable guide L	A	A
6	Y0TU9802T	SL cable cover R		
	Y0C574000	SL cable cover L	A	A
7	Y0TU9803T	Speed selector		
8	Y0TU98030	Unit cover R and fixing screw		
	Y0TV98020	Unit cover L and fixing screw		
9	Y0TU98010	Bracket covers (pair)		
10	Y0RM9801T	Joint support ring	A	A
11	Y8RD02000	Flange flare nut (M9/black)	A	A
12	Y63Z27000	Outer cap with short tongue for ST	A	A
13	Y0SD98010	Right-hand lid unit for bracket with bosses	A	A
	Y0SE98010	Left-hand lid unit for bracket with bosses	A	A
14	Y0SD98020	Lid fixing screw (3 pcs.) for bracket with bosses	A	A
15	Y0C678000	Diaphragm R	A	A
	Y0C578000	Diaphragm L	A	A
16	Y13000090	TL-BR002 Funnel unit for M7 screw	A	A
17	Y60198090	OT-SP41 OPTISLICK shifting cable sets (Black) for front double bike • Inner cable (1.2 x 2100 mm / 1.2 x 1800 mm) • Sealed outer caps, plastic (9 pcs.) • Sealed outer cap nose (1 pc.) • Rubber shield (1 pc.) • Inner end caps (2 pcs.)	A	A
	Y60198092	OT-SP41 OPTISLICK shifting cable sets (Black) for front single bike • Inner cable (1.2 x 2100 mm) • Sealed outer caps, plastic (5 pcs.) • Sealed outer cap nose (1 pc.) • Rubber shield (1 pc.) • Inner end caps (1 pc.)	A	A

A: Same parts.

B: Parts are usable, but differ in materials, appearance, finish, size, etc.

Absence of mark indicates non-interchangeability.

Specifications are subject to change without notice.

Torque information is listed.

Jul.-2025-5092

© Shimano Inc. I

SHIMANO



quefairedemesdechets.fr