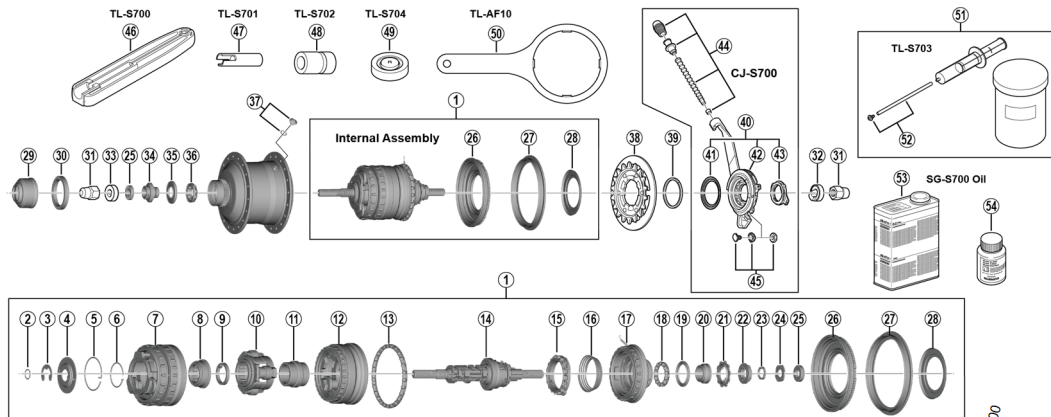


ALFINE 11-speed Internal Hub SG-S700-11



ITEM NO.	SHIMANO CODE NO.	DESCRIPTION	INTERCHANGE-ABILITY
1	Y3EN98010	Internal assembly (axle length 187 mm)	B
2	Y37E08000	O-ring	A
3	Y34R79000	Snap ring (diameter 12 mm / 1.0 mm)	A
4	Y37R78000	Carrier hold plate	A
5	Y37R80000	Carrier 3 slide spring	A
6	Y37R81000	Sun Gear 4 slide spring	A
7	Y37R98020	Carrier 3 unit	A
8	Y3EN09000	Sun gear 4	
9	Y37R56000	Sun gear 3 guide ring	A
10	Y3EN98020	Carrier 2 unit	
11	Y3EN07000	Sun gear 2	
12	Y3EN98030	Carrier 1 unit	
13	Y37R98050	Ball retainer S (3/16" x 26)	A
14	Y3EN98040	Hub axle unit (axle length 187 mm)	
15	Y3EN98050	Clutch unit	
16	Y34R21000	Return spring A	A
17	Y3EN98060	Driver unit	B
18	Y34R98070	Ball retainer P (3/16" x 13)	A
19	Y37R18000	Seal ring R	A
20	Y37R17000	Right-hand cone	A
21	Y37R16000	Drive plate seal	A
22	Y37R98090	Lock washer	A
23	Y37R15000	Lock washer seal	A
24	Y37R12000	Joint nut stop washer	A
25	Y37R11000	Serrated lock nut (4.4 mm)	A
26	Y37R98100	Right-hand dust cap A with seal	A
27	Y35Z20000	Chain guard	A
28	Y37R75000	Right-hand dust cap D	A
29	Y37R74000	Rotor mount cover	A
30	Y37R82000	Rotor spacer	A
31	Y72A01000	Cap nut (3/8")	A
*	Y33Z20500	Non-turn washer 5R (yellow)	A
*	Y33M39600	Non-turn washer 6R (silver)	A
* 32	Y33M39700	Non-turn washer 7R (black)	A
	Y34R85010	Non-turn washer 8R (dark blue)	A
*	Y33M9801T	Non-turn washer 9R (light green)	A
*	Y33M39510	Non-turn washer 5L (brown)	A
*	Y33M39610	Non-turn washer 6L (white)	A
* 33	Y33M39710	Non-turn washer 7L (gray)	A
	Y34R85000	Non-turn washer 8L (dark green)	A
*	Y33M9802T	Non-turn washer 9L (light brown)	A
34	Y37R98110	Left-hand cone with dust cap	A
35	Y37R73000	Seal ring L	A
36	Y36U98030	Ball retainer (7/32" x 9)	A
37	Y37R98120	Oil port screw (silver) and O-ring	A
	Y37R98130	Oil port screw (black) and O-ring	A
38	ICSS50018	Sprocket 18T with guard plate (CS-S500)	A
	ICSS50020	Sprocket 20T with guard plate (CS-S500)	A
39	Y32120100	Snap ring C	A
40	Y72A98010	CJ-S700 Cassette joint unit	A
	Y72A98030	CJ-S700 Cassette joint unit for belt drive system	
41	Y74Y18000	Driver cap	A
42	Y72A98020	CJ-S700 Cassette joint	A
	Y72A98040	CJ-S700 Cassette joint for belt drive system	
43	Y33Z98020	Cassette joint fixing ring	A
44	Y6TV98060	Outer receiver unit	A
45	Y6TV98070	Inner cable fixing bolt unit	A
46	Y13098024	TL-S700 Inner cable fixing bolt setting tool	A
47	Y13098021	TL-S701 Right-hand cone removal tool	A
48	Y13098022	TL-S702 Right-hand cone installation tool	A
49	Y70819000	TL-S704 Seal set tool	A
50	Y32010000	TL-AF10 Right-hand dust cap A installation tool	A
51	Y13098023	TL-S703 Oil kit	A
52	Y13098025	Tube set (tube and bleeding nipple)	A
53	Y13098480	SG-S700 Oil (1 L)	A
54	Y13098481	SG-S700 Oil (50 ml)	A

A: Same parts.

B: Parts are usable, but differ in materials, appearance, finish, size, etc.

Absence of mark indicates non-interchangeability.

Specifications are subject to change without notice.

Feb.-2024-4207C

© Shimano Inc. I

SHIMANO



quefairedemesdechets.fr