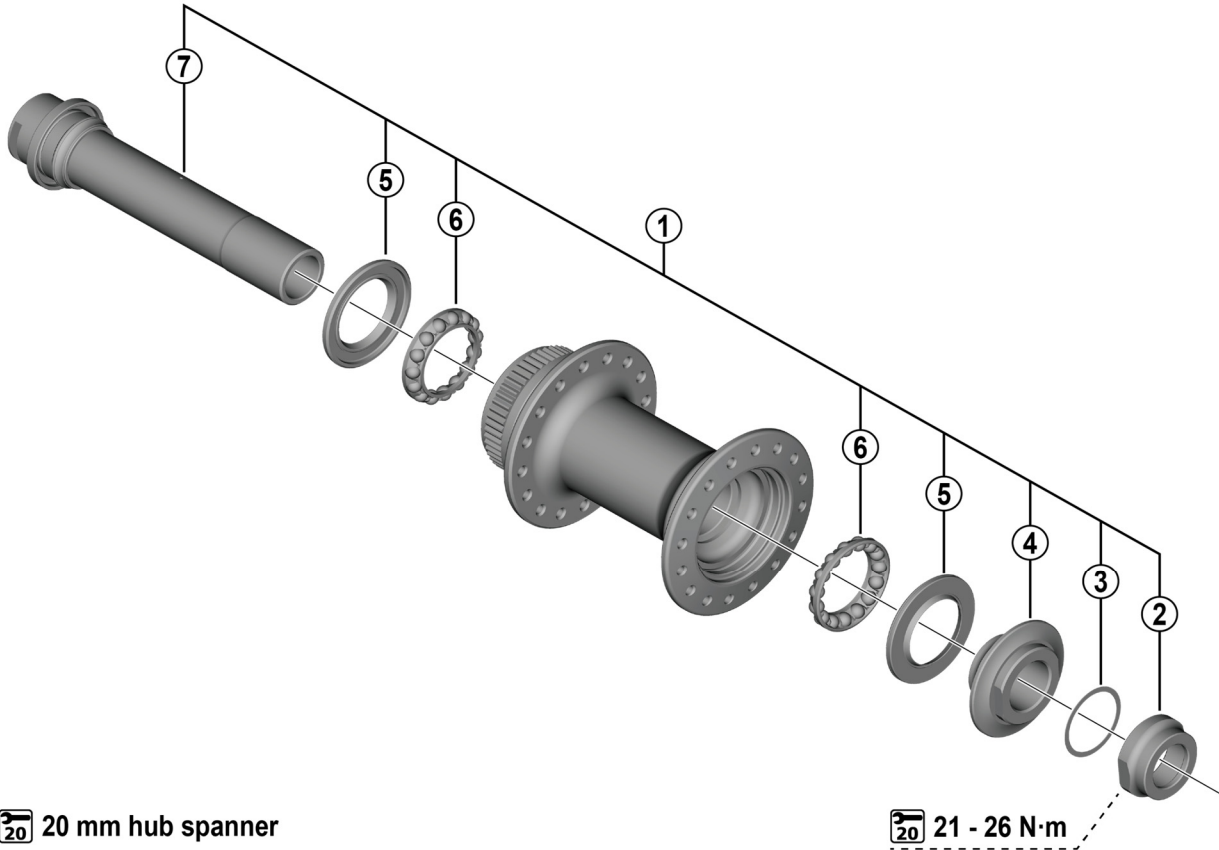


SHIMANO 105 Front Hub HB-R7070 for Disc Brake



20 mm hub spanner

21 - 26 N·m

WH-RS170-CL-F12

• O.L.D. 100 mm

ITEM NO.	SHIMANO CODE NO.	DESCRIPTION	INTERCHANGEABILITY		
1	Y2CG98010	Complete hub axle			
2	Y2CG09000	Right-hand lock nut	B		
3	Y38Z26000	Shim ring	A		
* 4	Y2CG98020	Right-hand cone with dust cap			
5	Y26D10000	Seal ring	A		
6	Y0CJ98030	Ball retainer (5/32" x 15)	A		
7	Y2CG98030	Hub axle unit			

A: Same parts.

B: Parts are usable, but differ in materials, appearance, finish, size, etc.

Absence of mark indicates non-interchangeability.

Specifications are subject to change without notice.

Torque information is listed.

Dec.-2023-4336C

© Shimano Inc. I

SHIMANO



quefairedemesdechets.fr