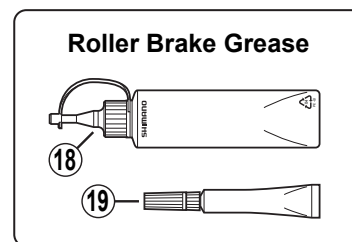
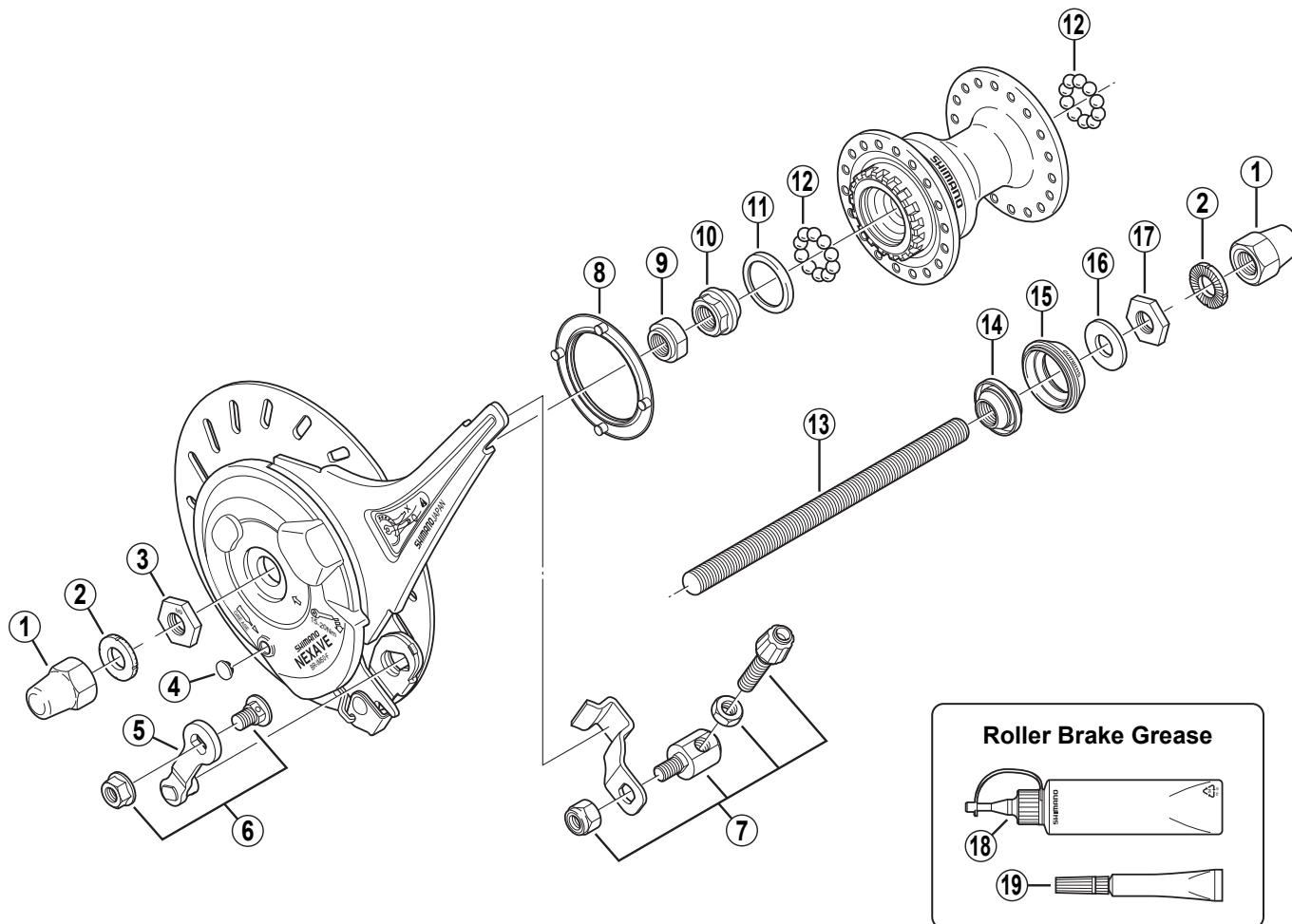


SHIMANO NEXAVE FRONT HUB w/Hi-Power Roller Brake

**HB-IM45** Front Hub

**BR-IM50-F** Inter-M Brake



Q'TY	ITEM NO.	SHIMANO CODE NO.	DESCRIPTION
	1	Y-314 14210	Cap Nut (M9)
	2	Y-21D 03000	Washer (1.8 mm)
	* 3	Y-22V 05020	Brake Unit Fixing Nut (M9 x 3.5 mm)
	4	Y-75P 16000	Grease Hole Cap
	5	Y-75H 98030	Link Arm
	6	Y-75H 98040	Inner Cable Fixing Bolt & Nut
	7	Y-75H 98050	Brake Cable Adjusting Bolt Unit
	* 8	Y-75P 17000	Seal Ring for Brake
	* 9	Y-22V 04000	Left Hand Cone Lock Nut (M9 x 7.1 mm)
	* 10	Y-22V 03000	Left Hand Cone (M9 x 11.94 mm)
	* 11	Y-22V 06000	Left Hand Dust Cap
	* 12	Y-000 91210	Steel Ball (3/16") 20 pcs.
	* 13	Y-21D 05200	Hub Axle (M9 x 140 mm)
	* 14	Y-21H 98080	Right Hand Cone (M9 x 10.4 mm) w/Dust Cover
	* 15	Y-21H 04000	Rubber Seal
	* 16	Y-21H 10200	Right Hand Washer (2 mm)
	* 17	Y-21D 04010	Right Hand Lock Nut (M9 x 3 mm)
	18	Y-041 20400	Roller Brake Grease (Net. 100g)
	* 19	Y-041 40020	Roller Brake Grease (Net. 10g)