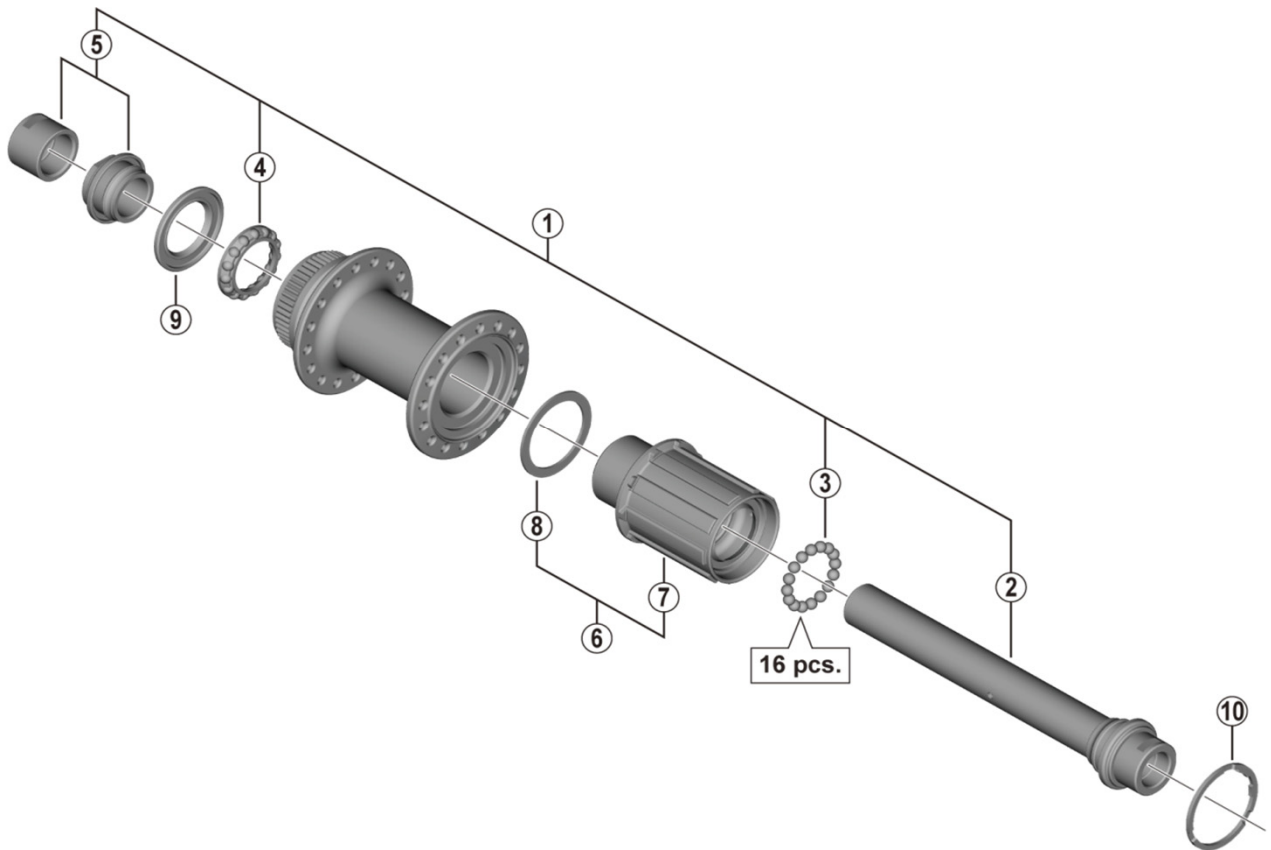


FH-R7070 for Disc Brake



WH-RS170-CL-R12

• Over Lock Nut Dimension: 142 mm

ITEM NO.	SHIMANO CODE NO.	DESCRIPTION	INTERCHANGEABILITY		
1	Y3F598010	Complete Hub Axle			
2	Y3F598020	Hub Axle Unit			
3	Y4FE98030	Steel Ball (5/32") 34 pcs.	A		
4	Y0CJ98030	Ball Retainer (5/32")	A		
5	Y3F598030	Left Hand Lock Nut & Cone w/Dust Cover			
6	Y0CK98040	Complete Freewheel Body	A		
7	Y0CK98050	Freewheel Body Unit	A		
8	Y3CZ12000	Freewheel Body Washer	A		
9	Y26D10000	Seal Ring	A		
* 10	Y4T724000	Low Spacer (1.85 mm)	A		

A: Same parts.

B: Parts are usable, but differ in materials, appearance, finish, size, etc.

Absence of mark indicates non-interchangeability.

Jul.-2019-4334A

© Shimano Inc. I

Specifications are subject to change without notice.