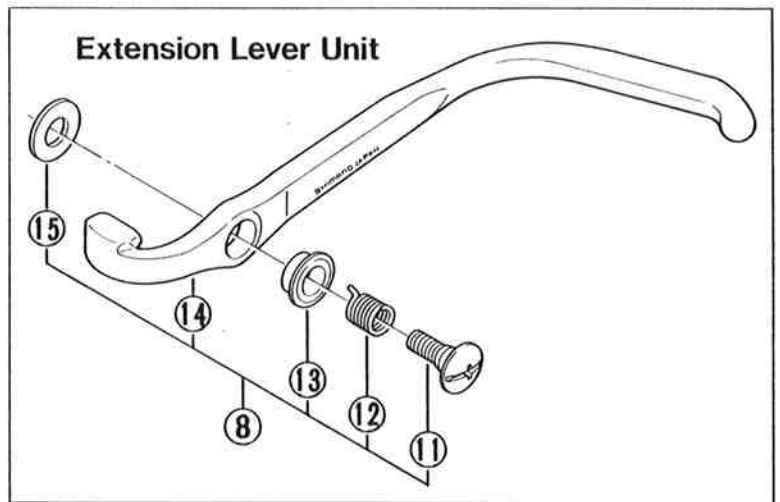
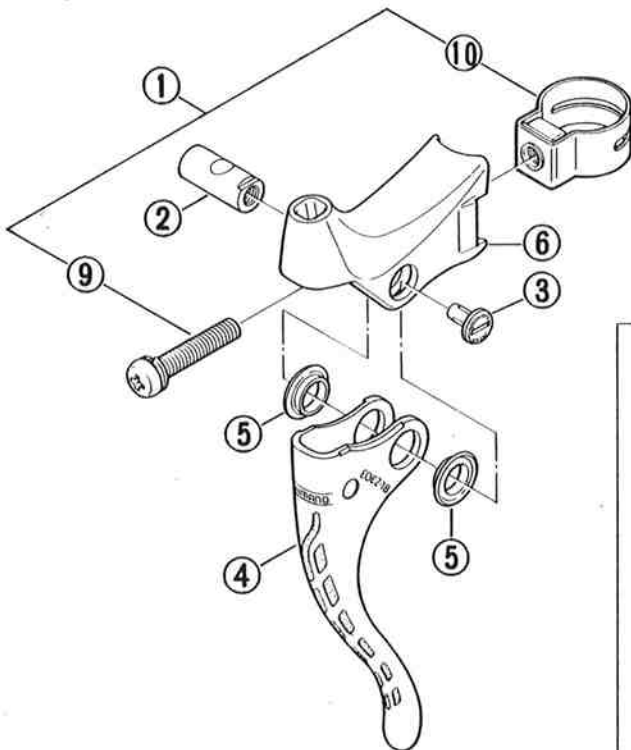


- You may photocopy this sheet and use it as an order form.
- Sie können dieses Blatt kopieren und als Bestellformular verwenden.
- Vous pouvez photocopier cette feuille et l'utiliser comme bon de commande.
- Dit blad kan gecopieerd en als bestelformulier gebruikt worden.
- Potete fotocopiare questo foglio e usarlo come modulo di commissione.

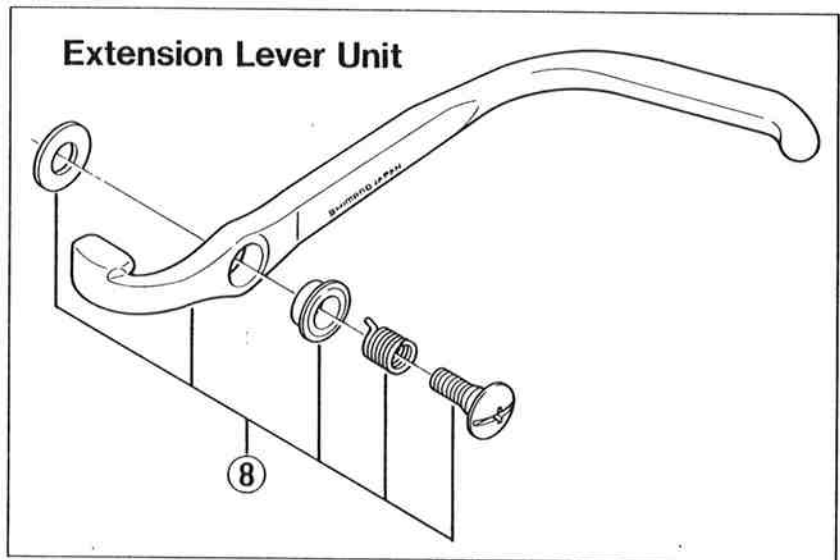
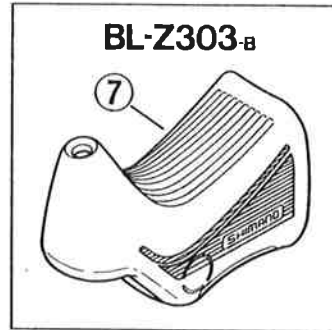
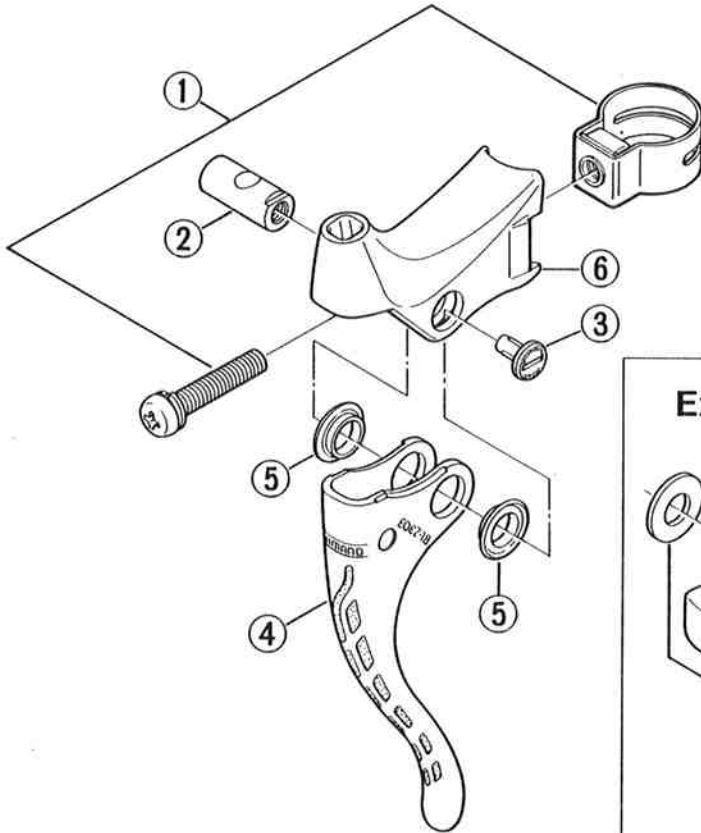
BL-Z303-A Brake Lever w/o Bracket Cover
BL-Z303-B Brake Lever w/ Bracket Cover



ITEM NO.	PART NO.	DESCRIPTION	Q'TY
1	3-894 9821	Clamp Band (∅23.8mm) & Screw	
2	894 0600	Pull-Up Stud for BL-Z303-A	
	894 0601	Pull-Up Stud for BL-Z303-B	
* 3	895 0100	LD Cap for BL-Z303-A	
4	3-894 9811	Main Lever Assembly (Right)	
	3-894 9812	Main Lever Assembly (Left)	
5	847 3600	Bushing A	
6	894 0100	Lever Bracket	
* 7	898 0212	Bracket Cover (Right) for BL-Z303-B	
	898 0222	Bracket Cover (Left) for BL-Z303-B	
8	3-894 9801	Right Extension Lever Unit	
	3-894 9802	Left Extension Lever Unit	
9	894 1200	Clamp Screw	
10	3-849 9110-1	Clamp Band (∅23.8mm)	
11	894 0900	Extension Lever Fixing Screw	
12	894 1000	Coil Spring	
13	894 0800	Bushing B	
14	894 0400	Right Extension Lever	
	894 0500	Left Extension Lever	
15	894 0700	Washer	

You may photocopy this sheet and use it as an order form.

BL-Z303-A Brake Lever
 w/o Bracket Cover
BL-Z303-B Brake Lever
 w/ Bracket Cover



ITEM NO.	PART NO.	DESCRIPTION	Q'TY
1	894 9821	Clamp Band (Ø23.8mm) & Screw	
2	894 0600	Pull-Up Stud for BL-Z303-A	
	894 0601	Pull-Up Stud for BL-Z303-B	
* 3	895 0100	ID Cap for BL-Z303-A	
4	894 9811	Main Lever Assembly (Right)	
	894 9812	Main Lever Assembly (Left)	
5	847 3600	Bushing A	
6	894 0100	Lever Bracket	
* 7	898 0212	Bracket Cover (Right) for BL-Z303-B	
	898 0222	Bracket Cover (Left) for BL-Z303-B	
8	894 9801	Right Extension Lever Unit	
	894 9802	Left Extension Lever Unit	

Printed in Japan 8509-U624A