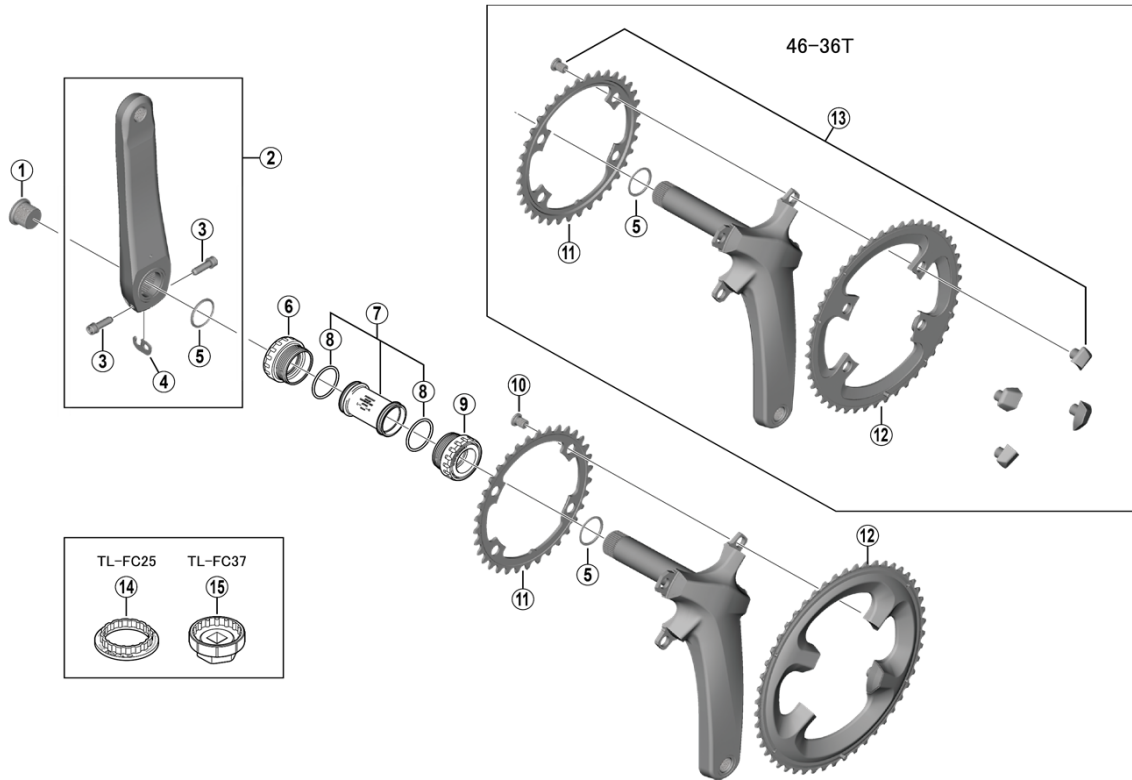


# ULTEGRA Crankset FC-R8000 SM-BBR60



- Chaining teeth combinations: 46-36T/50-34T/52-36T/53-39T
- Bolt circle diameter: 110 mm

ITEM NO.	SHIMANO CODE NO.	DESCRIPTION
1	Y1P417000	Crank Arm Fixing Screw
2	Y1W898050	Left Hand Crank Arm Unit 165 mm
	Y1W898060	Left Hand Crank Arm Unit 170 mm
	Y1W898070	Left Hand Crank Arm Unit 172.5 mm
	Y1W898080	Left Hand Crank Arm Unit 175 mm
* 3	Y1GS22000	Clamp Screw with Washer (M6 x 19)
4	Y1GE98050	Plate
5	Y1F316000	Ring
6	Y1P598010	Left Hand Adapter (B.C.1.37" x 24T) English Thread (SM-BBR60)
	Y1P598020	Left Hand Adapter (M36 x 24T) Italian Thread (SM-BBR60)
7	Y1G398150	Inner Cover & O-Ring
8	Y1TF21000	O-Ring
9	Y1P598030	Right Hand Adapter (B.C.1.37" x 24T) English Thread (SM-BBR60)
	Y1P598040	Right Hand Adapter (M36 x 24T) Italian Thread (SM-BBR60)
10	Y1H598160	Gear Fixing Screw (M8 x 10.1 / 1 Unit = 4 pcs.)
11	Y1W834000	Chainring 34T-MS for 50-34T
	Y1W836000	Chainring 36T-MT for 46-36T/52-36T
	Y1W839000	Chainring 39T-MW for 53-39T
	Y1W898010	Chainring 46T-MT for 46-36T
12	Y1W898020	Chainring 50T-MS for 50-34T
	Y1W898030	Chainring 52T-MT for 52-36T
	Y1W898040	Chainring 53T-MW for 53-39T
	Y1W898090	46-36T Gear Fixing Bolt (M8 x 10.1 / 1 Unit = 4 pcs.) & Nut (1 Unit = 4 sets)
14	Y13009260	TL-FC25 Adapter Installation Tool
15	Y13009270	TL-FC37 Adapter Installation Tool

Mar.-2020-4256B  
© Shimano Inc. I

Specifications are subject to change without notice.

# SHIMANO