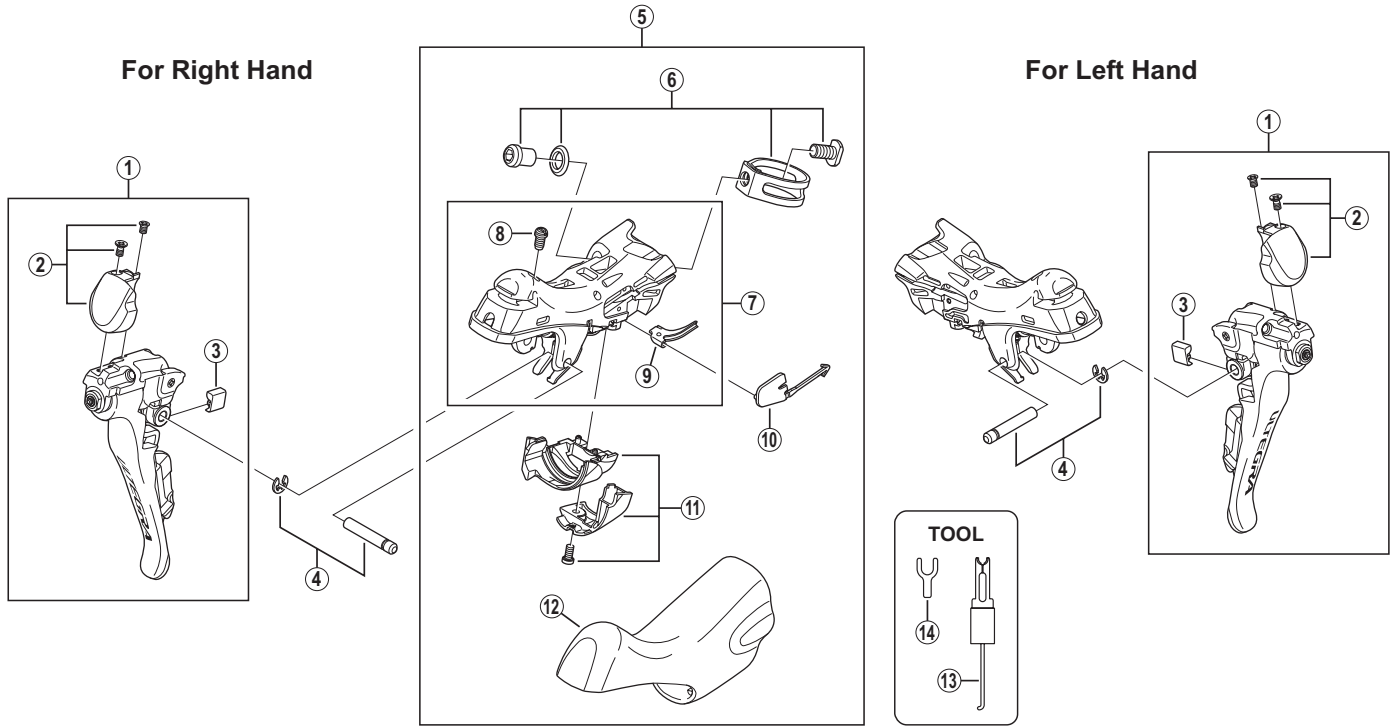


# ULTEGRA Dual Control Lever ST-6800



ST-9000

ITEM NO.	SHIMANO CODE NO.	DESCRIPTION	INTERCHANGEABILITY
1	Y00E98010	R.H. Main Lever Assembly	
	Y00F98010	L.H. Main Lever Assembly	
2	Y00E98020	R.H. Name Plate R & Fixing Screws	
	Y00F98020	L.H. Name Plate L & Fixing Screws	
3	Y63X80000	R.H. Main Lever Support R	A
	Y63X80010	L.H. Main Lever Support L	A
4	Y00E98030	Lever Axle & E-ring	
5	Y00E98040	R.H. Bracket Unit	
	Y00F98030	L.H. Bracket Unit	
6	Y00E98050	Clamp Band Unit (ø23.8 mm - ø24.2 mm)	
7	Y00E98060	R.H. Bracket	
	Y00F98040	L.H. Bracket	
8	Y63X53000	Grip Adjusting Screw	A
9	Y63X63000	R.H. SL Cable Guide R	A
	Y63X55000	L.H. SL Cable Guide L	A
10	Y00E75000	R.H. SL Cable Cover R	
	Y00F75000	L.H. SL Cable Cover L	
11	Y00E98070	R.H. Cover Unit	
	Y00F98050	L.H. Cover Unit	
12	Y00E98080	Bracket Covers (Black/Pair)	
	Y00E98090	Bracket Covers (White/Pair)	
13	Y6RT68000	Tool A for E-ring	A
14	Y6RT66000	Tool B for E-ring	A

A: Same parts.

B: Parts are usable, but differ in materials, appearance, finish, size, etc.

Absence of mark indicates non-interchangeability.

Apr.-2013-3603  
© Shimano Inc. I

Specifications are subject to change without notice.

# SHIMANO