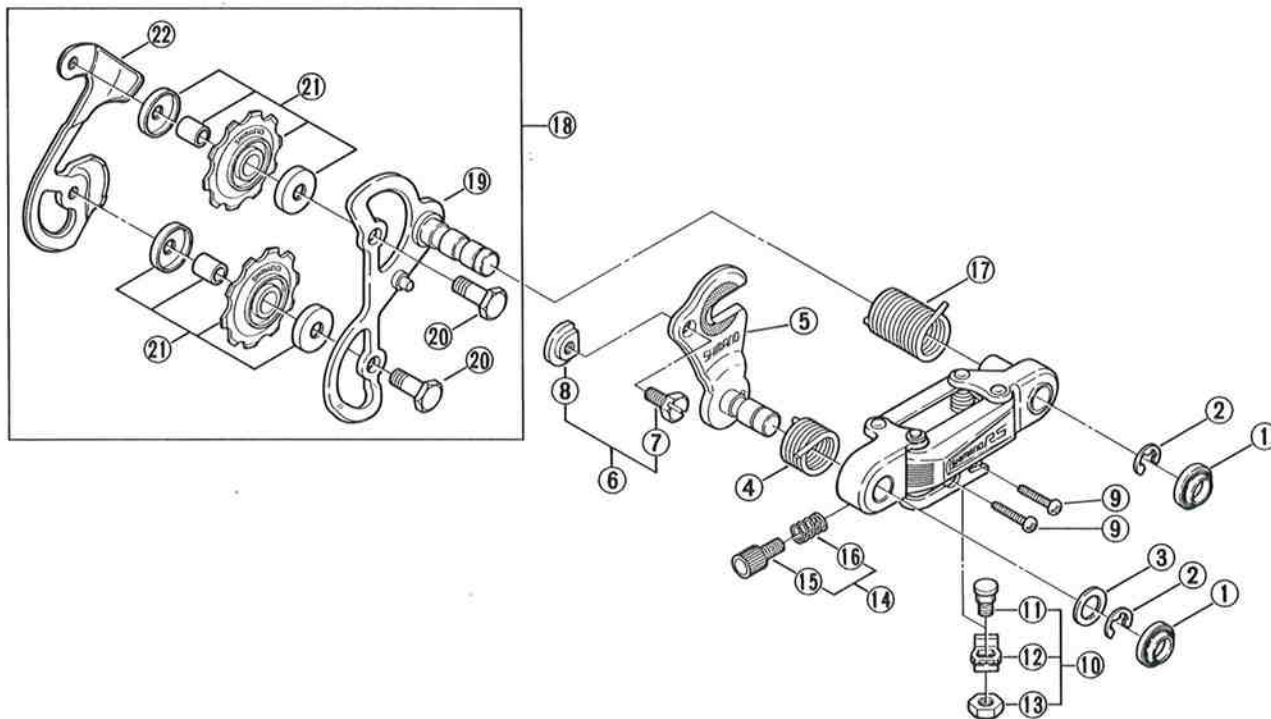




- You may photocopy this sheet and use it as an order form.
- Sie können dieses Blatt kopieren und als Bestellformular verwenden.
- Vous pouvez photocopier cette feuille et l'utiliser comme bon de commande.
- Dit blad kan gecopieerd en als bestelformulier gebruikt worden.
- Potete fotocopiare questo foglio e usarlo come modulo di commissione.

**RD-RS12** Rear Derailleur  
SHIMANO-RS (Chrome Finish)

**RD-RS11** Rear Derailleur  
SHIMANO-RS (Zinc Finish)



ITEM NO.	PART NO.	DESCRIPTION	Q'TY
1	526 4500	Cap	
2	521 3001	Stop Ring (φ6mm)	
3	521 3500	Spacer	
4	521 2601	B-Tension Spring	
5	3-521 9822	Adapter w/Mounting Shaft	
6	3-525 9069	Adapter Screw & Nut	
7	000 1104-1	Adapter Screw	
8	511 3500-1	Adapter Nut	
9	000 1003	Stroke Adjusting Screw	
10	3-522 9079	Cable Fixing Bolt Unit	
11	541 3400	Cable Fixing Bolt	
12	541 2300	Cable Fixing Plate	
13	541 2401	Cable Fixing Nut	
14	3-521 9824	Cable Adjusting Barrel & Spring for RD-RS12	
	3-551 9802	Cable Adjusting Barrel & Spring for RD-RS11	
15	522 2500	Cable Adjusting Barrel for RD-RS12	
	522 2501	Cable Adjusting Barrel for RD-RS11	
16	532 2100	Cable Adjusting Spring	
17	521 1400-1	P-Tension Spring	
18	3-551 9003	Pulley Plate Assembly	
19	3-521 9821	Outer Plate w/Mounting Shaft	
20	551 0400	Pulley Bolt	
21	3-551 9801	Pulley Unit	
*22	551 0300-1	Inner Plate	

Printed in Japan 8706-349C

発行 62.6.16