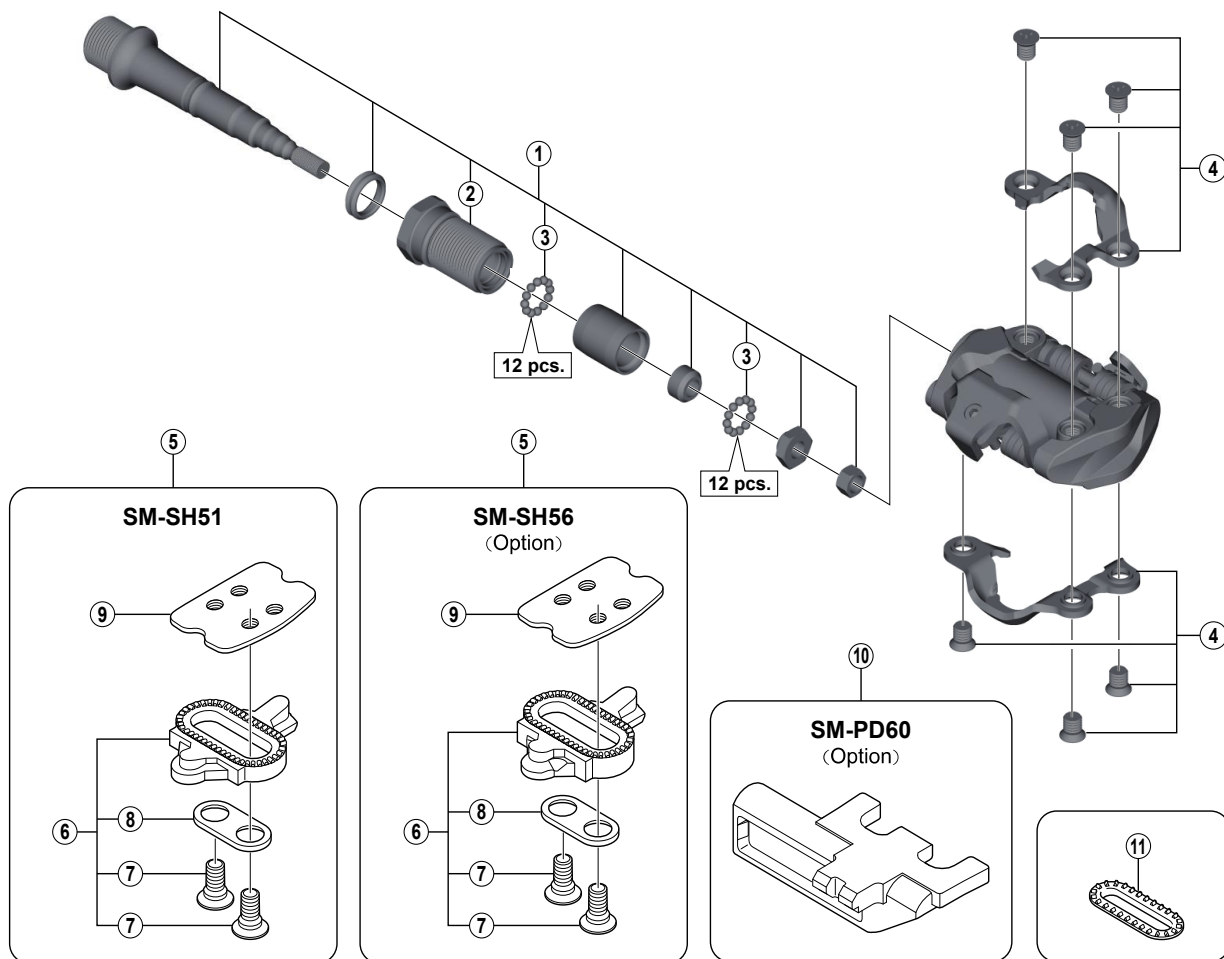


DEORE XT SPD Pedals PD-M8000



ITEM NO.	SHIMANO CODE NO.	DESCRIPTION	INTERCHANGEABILITY		
			PD-M9000	PD-M8020	PD-M540
1	Y46L98030	Pedal Axle Assembly (Right / B.C.9/16" x 20T.P.I.)		A	
	Y46L98020	Pedal Axle Assembly (Left / B.C.9/16" x 20T.P.I.)		A	
2	Y45E98030	Lock Bolt (Right)		A	A
	Y45E98040	Lock Bolt (Left)		A	A
3	Y41N98030	Steel Ball (3/32") 62 pcs.	A	A	A
	Y46K98030	Body Cover (Right) & Fixing Bolts (M5)		A	
4	Y46K98040	Body Cover (Left) & Fixing Bolts (M5)		A	
	Y42498220	SM-SH51 Cleat Set (Single Release Mode / Pair)	A	A	A
5	Y41S98092	SM-SH56 Cleat Set (Multiple Release Mode / Pair)	A	A	A
	Y42498201	SM-SH51 Cleat Set w/o Cleat Nut (Single Release Mode / Pair)	A	A	A
6	Y41S98100	SM-SH56 Cleat Set w/o Cleat Nut (Multiple Release Mode / Pair)	A	A	A
	Y41704030	Cleat Fixing Bolt (1 pc.)	A	A	A
7	Y42423000	Cleat Adapter (1 pc.)	A	A	A
	YL0E04000	Cleat Nut (1 pc.)	A	A	A
10	Y40Z98010	SM-PD60 Reflector Unit (Pair/Option)	A	A	A
	Y40Z98020	SM-PD60 Reflector Unit (AS/Pair/Option)	A	A	A
11	YL8098030	SPD Cleat Spacer (2 pcs.)	A	A	A

A: Same parts.

B: Parts are usable, but differ in materials, appearance, finish, size, etc.

Absence of mark indicates non-interchangeability.

Specifications are subject to change without notice.

May-2015-3892

© Shimano Inc. I

SHIMANO