

## User's Manual

# Crankset / Bottom Bracket



---

## Contents




<b>IMPORTANT NOTICE.....</b>	<b>3</b>
<b>Important safety information .....</b>	<b>4</b>
<b>Notice.....</b>	<b>5</b>
<b>Regular inspections before riding the bicycle .....</b>	<b>6</b>
<b>Names of parts.....</b>	<b>7</b>

# IMPORTANT NOTICE

- Contact the place of purchase or a distributor for information on installation, adjustment, and replacement of the products which are not found in the user's manual. A dealer's manual for professional and experienced bicycle mechanics is available on our website ( <https://si.shimano.com> ).

For safety, be sure to read this user's manual thoroughly before use, follow it for correct use, and store it so that it can be referenced at any time.

The following instructions must be observed at all times in order to prevent personal injury and physical damage to equipment and surroundings. The instructions are classified according to the degree of danger or damage which may occur if the product is used incorrectly.

	<b>DANGER</b>	Failure to follow the instructions will result in death or serious injury.
	<b>WARNING</b>	Failure to follow the instructions could result in death or serious injury.
	<b>CAUTION</b>	Failure to follow the instructions could cause personal injury or physical damage to equipment and surroundings.

# Important safety information

## **WARNING**

- Do not disassemble or modify the product. This may cause the product to not operate correctly, and you may suddenly fall and be seriously injured.
- Check that there are no cracks in the crank arms before riding the bicycle. If there are any cracks, the crank arm may break and you may fall off the bicycle.
- Be careful not to let the hemming of your clothes get caught in the chain while riding. Otherwise, you may fall off the bicycle.

## **CAUTION**

- Be careful not to touch the teeth of chainrings. There is a danger of injury.

# Notice

- Use a neutral detergent to clean the crank arms and the bottom bracket. Using alkaline or acidic detergents may cause discoloration.
- If pedaling performance does not feel normal, perform an inspection again.
- Do not wash the surrounding area of the bottom bracket with a high-pressure wash.
- The chainrings should be periodically washed with a neutral detergent. In addition, cleaning the chain with neutral detergent and lubricating it can be an effective way of extending the life of the chainrings and the chain.
- The cuffs of your clothing may get dirty from the chain while riding.
- Products are not guaranteed against natural wear and deterioration from normal use and aging.
- For maximum performance we highly recommend SHIMANO lubricants and maintenance products.

# Regular inspections before riding the bicycle

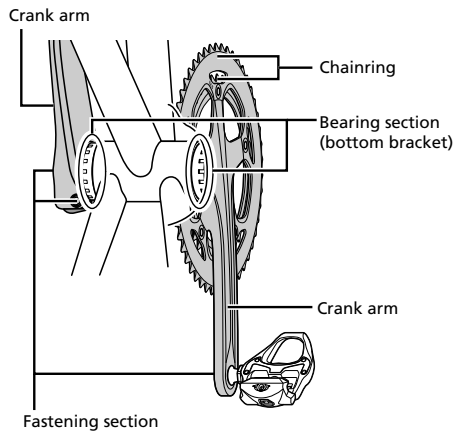
Before riding the bicycle, check the following items. If any problems are found, consult your place of purchase or a distributor.

- Are there any cracks in the crank arms?
- Is the pedaling performance smooth?
- Does the drivetrain perform gear shifting smoothly?
- Is there looseness in the component parts?
- Are the components securely installed to the frame/handlebar?
- Do any abnormal noises occur while riding?

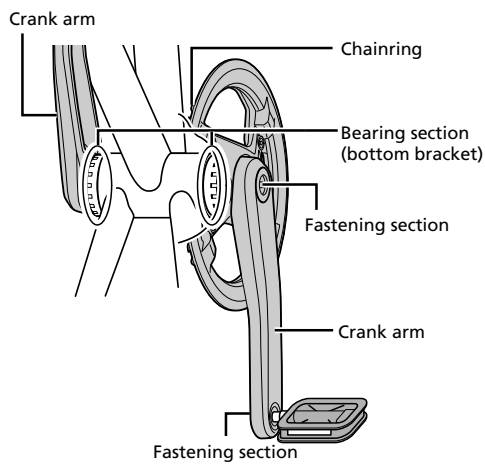
# Names of parts

## Unit bearing types

### Models with an axle on the right crank arm unit



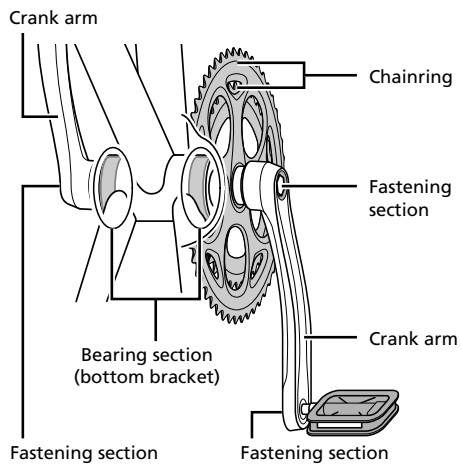
### Models with an axle on the left crank arm



## Non-unit bearing types

# Names of parts

---





---

# SHIMANO

**SHIMANO NORTH AMERICA BICYCLE, INC.**  
One Holland, Irvine, California 92618, U.S.A. Phone: +1-949-951-5003

**SHIMANO EUROPE B.V.**  
High Tech Campus 92, 5656 AG Eindhoven, The Netherlands Phone: +31-402-612222

**SHIMANO INC.**  
3-77 Oimatsu-cho, Sakai-ku, Sakai City, Osaka 590-8577, Japan

Please note: specifications are subject to change for improvement without notice. (English)  
© Jan. 2022 by SHIMANO INC. ITP