

# User's Manual

# Satellite Shifter



---

## Contents




<b>IMPORTANT NOTICE.....</b>	<b>3</b>
<b>Important safety information .....</b>	<b>4</b>
<b>Notice.....</b>	<b>5</b>
<b>FCC .....</b>	<b>6</b>
<b>Regular inspections before riding the bicycle .....</b>	<b>7</b>
<b>Names of parts.....</b>	<b>8</b>
<b>How to operate.....</b>	<b>9</b>

# IMPORTANT NOTICE

- Contact the place of purchase or a distributor for information on installation, adjustment, and replacement of the products which are not found in the user's manual. A dealer's manual for professional and experienced bicycle mechanics is available on our website ( <https://si.shimano.com> ).

For safety, be sure to read this user's manual thoroughly before use, follow it for correct use, and store it so that it can be referenced at any time.

The following instructions must be observed at all times in order to prevent personal injury and physical damage to equipment and surroundings. The instructions are classified according to the degree of danger or damage which may occur if the product is used incorrectly.

	<b>DANGER</b>	Failure to follow the instructions will result in death or serious injury.
	<b>WARNING</b>	Failure to follow the instructions could result in death or serious injury.
	<b>CAUTION</b>	Failure to follow the instructions could cause personal injury or physical damage to equipment and surroundings.

# Important safety information

## **WARNING**

- Do not disassemble or modify the product. This may cause the product to not operate correctly, and you may suddenly fall and be seriously injured.
- When operating the satellite shifter, be careful not to allow your fingers to be caught in the derailleur. The powerful motor which drives the electronic gear shifting derailleur will operate without stopping until the shifting position is reached.

# Notice

- Be sure to rotate the crank while performing all switch operations related to gear shifting.
- Be careful not to get water into the terminal section.
- The components are designed to be fully waterproofed to withstand wet weather riding conditions; however, do not deliberately place them into water.
- Do not clean the bicycle in a high-pressure wash. If water gets into any of the components, operating problems or rusting may result.
- Handle the components carefully, and avoid subjecting them to strong shock.
- Do not use thinner or other solvents to clean the products. Such solvents may damage the surface.
- Use neutral detergent for cleaning. Using alkaline or acidic detergents may cause discoloration.
- Products are not guaranteed against natural wear and deterioration from normal use and aging.
- For maximum performance we highly recommend SHIMANO lubricants and maintenance products.



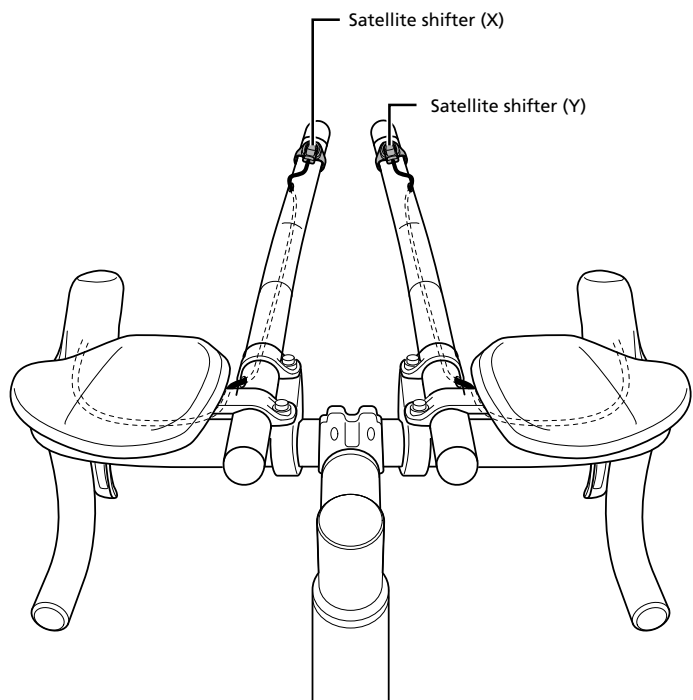
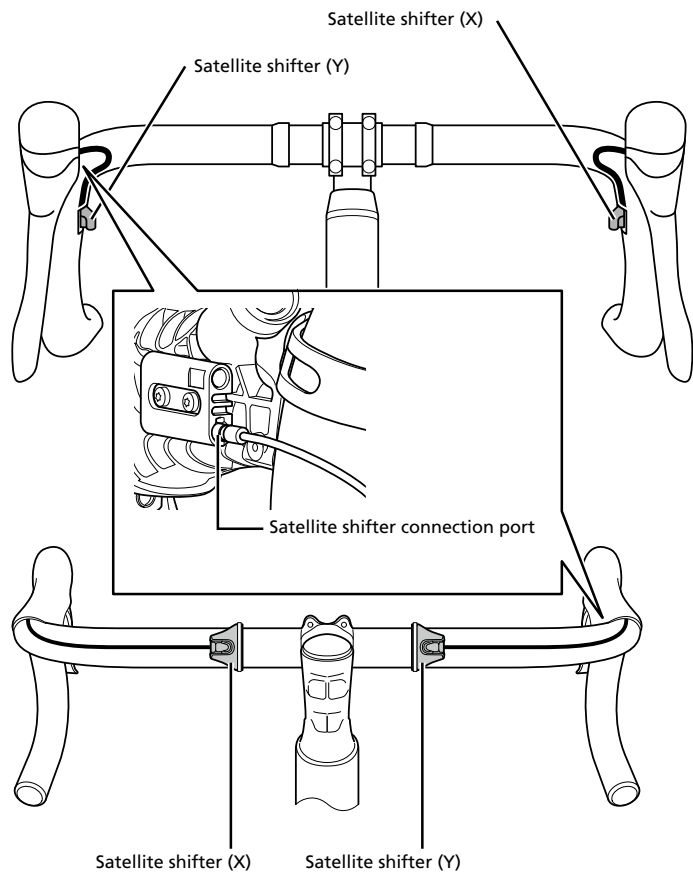
This device complies with part 15 of the FCC Rules. Operation is subject to the following two conditions:  
(1) This device may not cause harmful interference, and (2) this device must accept any interference received, including interference that may cause undesired operation.

# Regular inspections before riding the bicycle

Before riding the bicycle, check the following items. If any problems are found, consult your place of purchase or a distributor.

- Is gear shifting carried out smoothly?
- Are the satellite shifters securely installed to the handlebar?
- Do any abnormal noises occur during operation?

# Names of parts



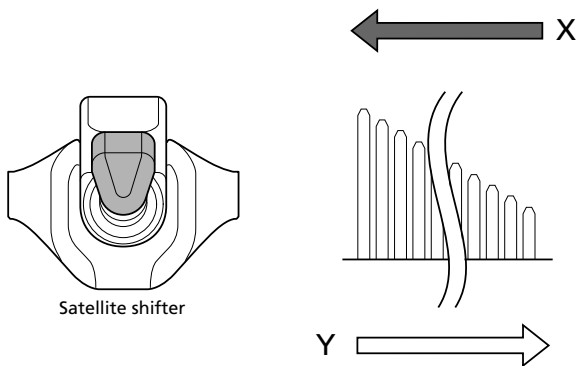


# How to operate

## Gear shifting operation

Be sure to rotate the crank while performing all switch operations related to gear shifting.

- Satellite shifter (X): Shifts to a larger sprocket
- Satellite shifter (Y): Shifts to a smaller sprocket



Actual behavior may differ depending on the connected components and software version.

Satellite shifters (X) and (Y) can be switched between shifting up or down. The satellite shifters can also be switched to serve as the rear satellite shifter or front satellite shifter.

\* To switch the satellite shifters, contact the place of purchase.



This symbol on your product, literature, or packaging reminds you that this product must be taken to separate collection at the end of its working life. Do not dispose of this product as unsorted municipal waste but instead take it for recycling. By ensuring the product is disposed correctly, you will help to prevent potential negative consequences for the environment and human health. For info on your nearest recycling point, check with your local waste authority.

---

**SHIMANO**



**SHIMANO NORTH AMERICA BICYCLE, INC.**  
One Holland, Irvine, California 92618, U.S.A. Phone: +1-949-951-5003

**SHIMANO EUROPE B.V.**  
High Tech Campus 92, 5656 AG Eindhoven, The Netherlands Phone: +31-402-612222

**MADISON (A DIVISION OF H.YOUNG (OPERATIONS) LTD)**  
Roebuck Way, Knowlhill, Milton Keynes, Buckinghamshire, MK5 8HL, United Kingdom

**SHIMANO INC.**  
3-77 Oimatsu-cho, Sakai-ku, Sakai City, Osaka 590-8577, Japan

Please note: specifications are subject to change for improvement without notice. (English)  
© Oct. 2022 by SHIMANO INC. ITP