



Shift Lever (REVOSHIFT)

IMPORTANT NOTICE

- Contact the place of purchase or a distributor for information on installation, adjustment, and replacement of the products which are not found in the user's manual. A dealer's manual for professional and experienced bicycle mechanics is available on our website (<https://si.shimano.com>).

For safety, be sure to read this "user's manual" thoroughly before use, follow it for correct use, and store it so that it can be referenced at any time.

The following instructions must be observed at all times in order to prevent personal injury and physical damage to equipment and surroundings. The instructions are classified according to the degree of danger or damage which may occur if the product is used incorrectly.

DANGER	Failure to follow the instructions will result in death or serious injury.
WARNING	Failure to follow the instructions could result in death or serious injury.
CAUTION	Failure to follow the instructions could cause personal injury or physical damage to equipment and surroundings.

Important safety information

WARNING

- Do not disassemble or modify the product. This may cause the product to not operate correctly, and you may suddenly fall and be seriously injured.

CAUTION

- Be sure to shift the shift lever one gear at a time. During shifting, reduce the force being applied to the pedals. If you try to force operation of the shift lever or perform multi-shifting while the pedals are being turned strongly, your feet may come off the pedals and the bicycle may topple over, which could result in serious injury.
Operating the shift lever to multi-shift to a light gear may also cause the outer casing to spring out of the shift lever. This does not affect the capabilities of the shift lever because the outer casing returns to the original position after shifting.

Notice

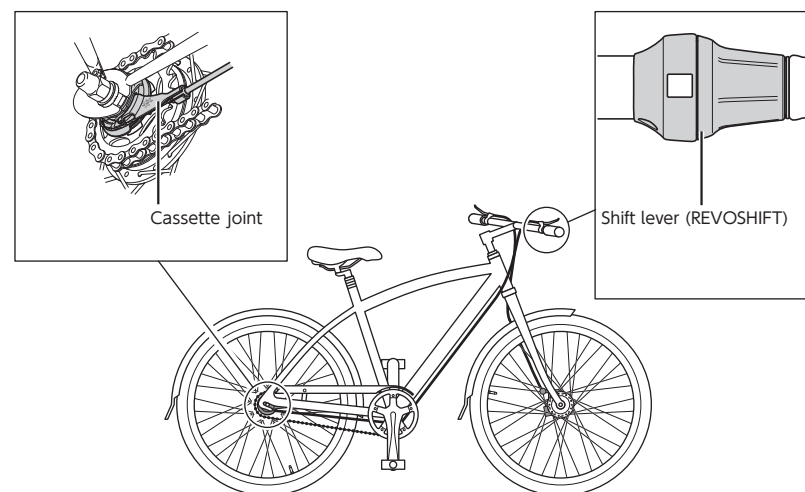
- Products are not guaranteed against natural wear and deterioration from normal use and aging.
- For maximum performance we highly recommend SHIMANO lubricants and maintenance products.

Regular inspections before riding the bicycle

Before riding the bicycle, check the following items. If any problems are found, consult your place of purchase or a distributor.

- Is gear shifting carried out smoothly?
- Are the setting lines of the cassette joint in the correct position?
- Do any abnormal noises occur during operation?

Names of parts



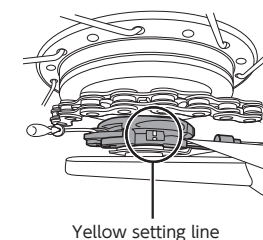
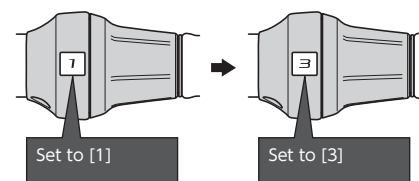
Inspection method for cable adjustment

Change the setting of the shift lever from [1] to [3]. To avoid over-shifting, change the setting gradually and with minimal force.

After changing the setting, check that the yellow setting lines on the cassette joint bracket and pulley overlap. If the overlapping area falls short of two thirds of each setting line, consult your place of purchase or a distributor.

If you over-shift, the setting line will not return to the proper position, and the setting lines may not be aligned at the correct position.

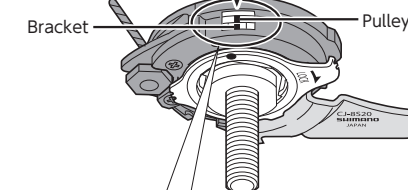
Riding the bicycle with the setting lines misaligned may cause the gears to not engage properly during pedaling, causing abnormal noise or free spinning of the pedals.



The yellow setting lines on the cassette joint are located in two places. Use the one that is easier to see.

When the bicycle is upright

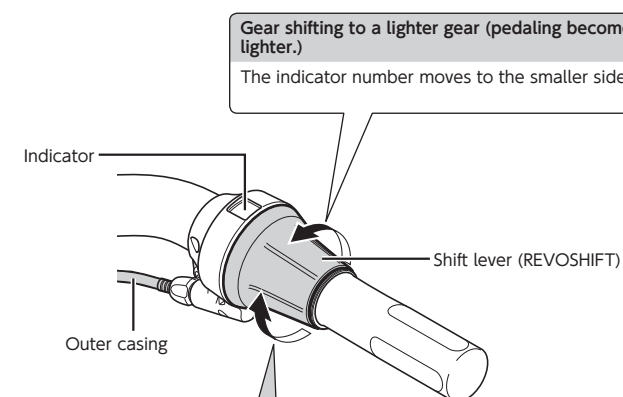
Should be aligned



The overlapping area falls short of two thirds of each setting line

How to operate

Turn the nearby shift lever (REVOSHIFT) to shift one gear at a time.



Gear shifting to a lighter gear (pedaling becomes lighter.)
The indicator number moves to the smaller side.

Gear shifting to a heavier gear (pedaling becomes heavier.)

The indicator number moves to the larger side.

SHIMANO

SHIMANO NORTH AMERICA BICYCLE, INC.
One Holland, Irvine, California 92618, U.S.A. Phone: +1-949-951-5003

SHIMANO EUROPE B.V.
High Tech Campus 92, 5656 AG Eindhoven, The Netherlands Phone: +31-402-612222

SHIMANO INC.
3-77 Oimatsu-cho, Sakai-ku, Sakai City, Osaka 590-8577, Japan

Please note: specifications are subject to change for improvement without notice. (English)
© Aug. 2021 by SHIMANO INC. ITP