

Seat Post Lever

IMPORTANT NOTICE

- Contact the place of purchase or a distributor for information on installation, adjustment, and replacement of the products which are not found in the user's manual. A dealer's manual for professional and experienced bicycle mechanics is available on our website (<https://si.shimano.com>).

For safety, be sure to read this "user's manual" thoroughly before use, follow it for correct use, and store it so that it can be referenced at any time.

The following instructions must be observed at all times in order to prevent personal injury and physical damage to equipment and surroundings. The instructions are classified according to the degree of danger or damage which may occur if the product is used incorrectly.

⚠ DANGER	Failure to follow the instructions will result in death or serious injury.
⚠ WARNING	Failure to follow the instructions could result in death or serious injury.
⚠ CAUTION	Failure to follow the instructions could cause personal injury or physical damage to equipment and surroundings.

Important Safety Information

⚠ WARNING

- Do not disassemble or modify the product. This may cause the product to not operate correctly, and you may suddenly fall and be seriously injured.
- Refer to this information in conjunction with your seat post manual, and be sure that you understand the seat height adjustment mechanism. Careless operation of the lever may make the seat suddenly descend, causing you to fall and be seriously injured.
- Make sure you are fully familiar with the adjustment mechanism before attempting to adjust the seat height while riding. Otherwise, your feet may come off the pedals, causing you to fall and be seriously injured. At first, you should ride slowly on safe, level ground and thoroughly practice adjusting the seat height until you can do it safely, without your feet coming off the pedals.

Notice

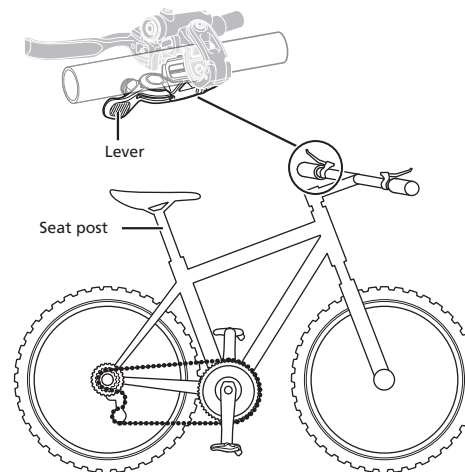
- Products are not guaranteed against natural wear and deterioration from normal use and aging.
- Before riding the bicycle, confirm that the seat height will not impair the operation of the bicycle (even if the seat height has been adjusted within the adjustment range).
- For maximum performance we highly recommend Shimano lubricants and maintenance products.

Regular Inspections Before Riding the Bicycle

Before riding the bicycle, check the following items. If any problems are found, consult your place of purchase or a distributor.

- Can the seat post height be adjusted smoothly?
- Is the lever securely attached to the brake band?
- Do any abnormal noises occur during operation?

Names of parts

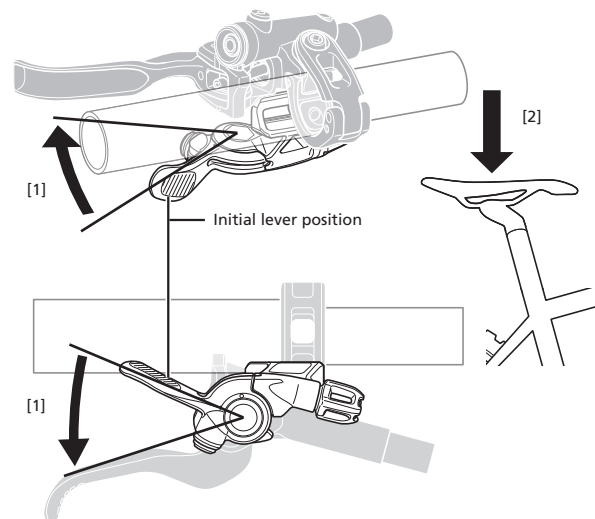


How to operate

■ Seat post height adjustment method

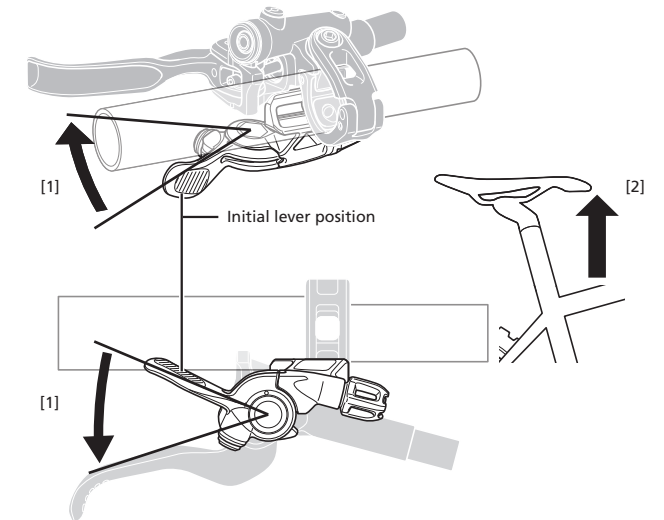
To lower the seat

1. Operate the lever in the direction indicated with the arrow.
2. Apply a load to the seat, and push the seat downward.
3. Release the lever once the seat is at your desired height.



To raise the seat

1. Operate the lever in the direction indicated with the arrow.
2. Remove the load from the seat.
3. Release the lever once the seat is at your desired height.



SHIMANO

SHIMANO NORTH AMERICA BICYCLE, INC.
One Holland, Irvine, California 92618, U.S.A. Phone: +1-949-951-5003

SHIMANO EUROPE B.V.
High Tech Campus 92, 5656 AG Eindhoven, The Netherlands Phone: +31-402-612222

SHIMANO INC.
3-77 Oimatsu-cho, Sakai-ku, Sakai City, Osaka 590-8577, Japan