

SERVICE INSTRUCTIONS

Before use, read these instructions carefully, and follow them for correct use.

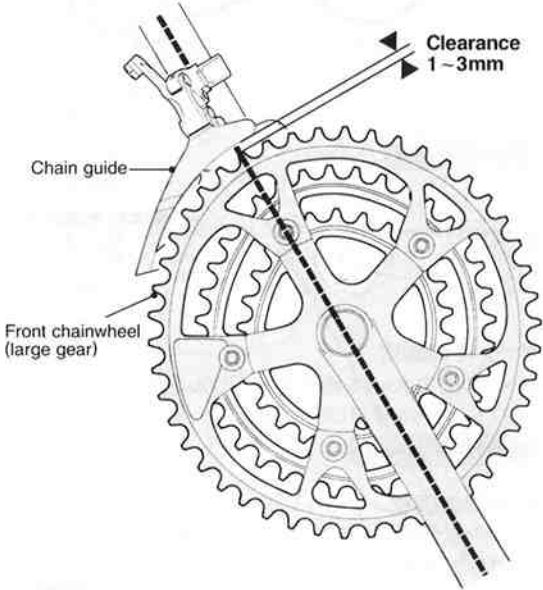
Front Derailleur FD-M351



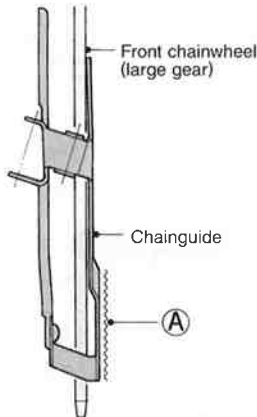
EXAGE

Assembly to Frame

1. Set the front derailleur while the Biopace crank is in a direct line with the seat tube.



2. The outside surface (A) of the chain guide should be directly above and parallel to the large gear.



3. Secure by using a 5mm Allen key.

**Tightening torque:
50kgfcm (43 in.lbs)**

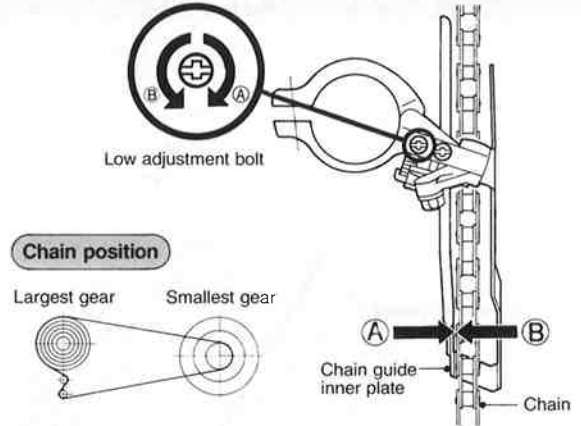
Specifications

Installation band diameter	Band type..... $\varnothing 28.00 \sim \varnothing 28.60\text{mm}$ (1-3/32" ~ 1-1/8")	
	EC-type (End-less clamp type) $\varnothing 31.8\text{mm}$ (1-1/4")	
Stoke (A - A')	Band type.....34 ~ 54mm (1-11/32" ~ 2-1/8")	
	EC-type.....35 ~ 55mm (1-3/8" ~ 2-5/32")	
Application	For use with front chain-wheel triple gear only.	

Adjustment and Cable Attachment

1. Low adjustment

Adjust the clearance between the chain guide's inner plate and the chain to 1 mm—1.5 mm.



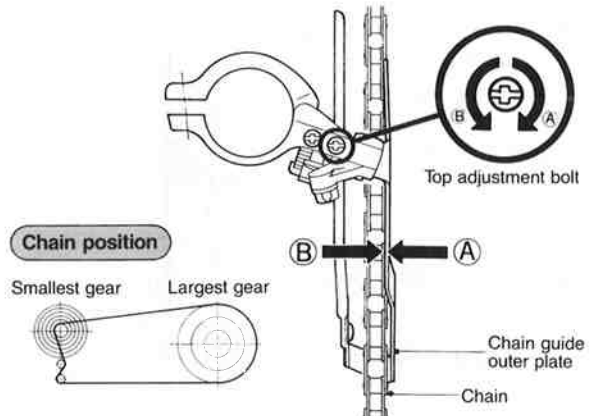
2. Cable attachment

Tighten the cable fixing bolt to fix the cable. Secure by using a 5mm allen key.

Tightening Torque: 50kgfcm (43 in.lbs)

3. Top adjustment

Set the chain guide outer plate to the smallest gap at which the chain guide does not contact the chain.



Please note: specifications are subject to change for improvement without notice. (English)

SHIMANO

SHIMANO AMERICAN CORPORATION
One Shimano Drive, Irvine, California, U.S.A. 92719 Tel. (714) 951-5003

SHIMANO (SINGAPORE) PTE. LTD.
No. 20, Benoi Sector, Jurong Town, Singapore 2262 Tel. 2654777

SHIMANO (EUROPA) GmbH.
Kleinbuisen 1-3 4010 Hilden, West Germany Tel. 02103-5005-0

SHIMANO INDUSTRIAL CO., LTD.
3-77 Omatsucho, Sakai, Osaka, Japan Tel. (0722) 23-3243

© Jul. 1988 by Shimano Co., Ltd. R-67 XBC SHS Printed in Japan