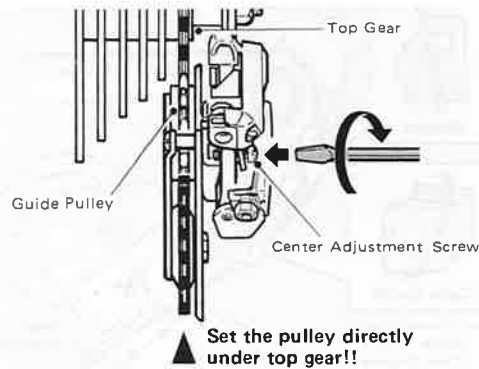


Stroke Adjustment

Top-Side

Turn the center adjustment screw to move the derailleur guide pulley directly under top gear. Then give a half turn in a clockwise direction to complete adjustment.

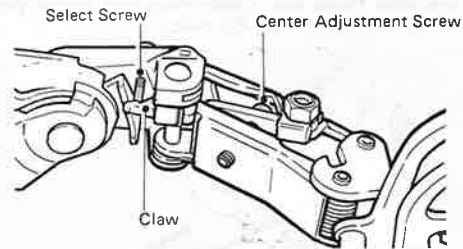


Low-Side

Turn the select screw, in low gear position, until contact is made with claw.

Note:

Stop turning the select screw immediately contact is made with the claw.

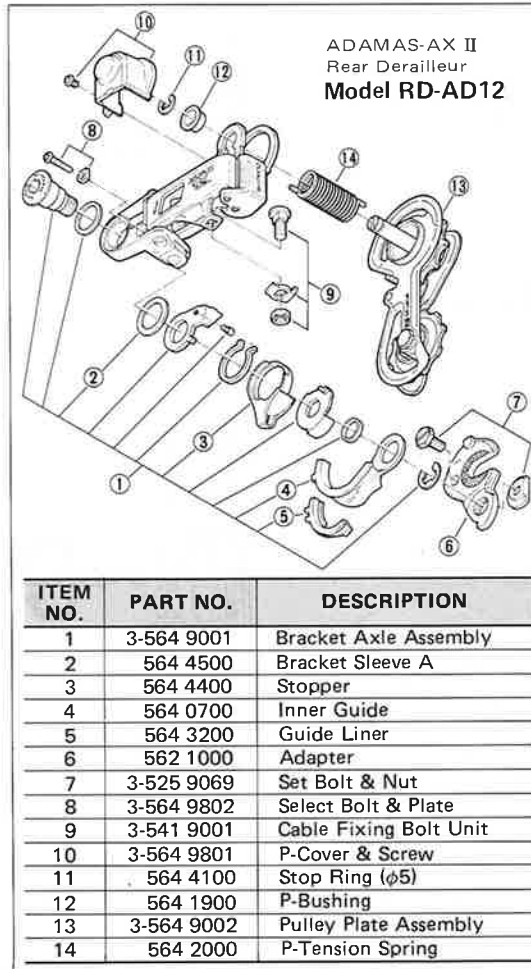


Confirm

Check shifting response while spinning the wheel. If noise occurs or the chain drops off, readjust according to stroke adjustment procedure.

NOTE

- Make sure that the Adamas AX Rear Derailleur is used together with a Shimano Freehub, Shifting Lever and UG Chain.



ITEM NO.	PART NO.	DESCRIPTION
1	3-564 9001	Bracket Axle Assembly
2	564 4500	Bracket Sleeve A
3	564 4400	Stopper
4	564 0700	Inner Guide
5	564 3200	Guide Liner
6	562 1000	Adapter
7	3-525 9069	Set Bolt & Nut
8	3-564 9802	Select Bolt & Plate
9	3-541 9001	Cable Fixing Bolt Unit
10	3-564 9801	P-Cover & Screw
11	564 4100	Stop Ring (φ5)
12	564 1900	P-Bushing
13	3-564 9002	Pulley Plate Assembly
14	564 2000	P-Tension Spring

Specifications are subject to change for improvement without notice.

SHIMANO SALES CORPORATION
9259 San Fernando Road, Sun Valley, California 91352 Tel. (213) 767-7777

SHIMANO AMERICAN CORPORATION
205 Jefferson Road, Parsippany, New Jersey 07054 U.S.A. Tel. (201) 884-2300

SHIMANO (EUROPA) GmbH.
Professor Oehler Str. 9, 4000 Düsseldorf 13, West Germany Tel. 793097/99

SHIMANO (SINGAPORE) PTE. LTD.
No. 20, Beni Sector, Jurong Town, Singapore 2262 Tel. 654777

SHIMANO INDUSTRIAL CO. LTD.
3-77 Oimatsucho, Sakai, Osaka, Japan Tel. (0722) 23-3243

© Jun 1982 by Shimano UP SZK M 66 Printed in Japan.

SERVICE INSTRUCTION

adamas AX II

REAR DERAILLEUR



FEATURES

- Aerodynamic design has reduced frontal surface area for improved streamlining.
- The Direct Cable Mechanism prevents the cable being caught up for extra safety. Finally, the new design enhances the appearance of the rear derailleur.
- The special spoke protector cap helps prevent the derailleur from damaging the spokes. A great safety feature.

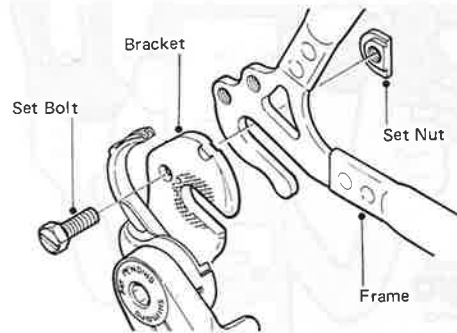
SPECIFICATIONS

- Capacity: Front Difference/13 Teeth or Less
Rear Largest Sprocket/28·26·24 Teeth
- Weight: 268g (Direct Attachment Type)
305g (Bracket Attachment Type)
- Material: Light Alloy, Steel

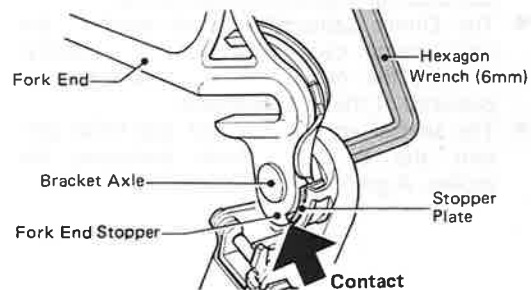
ASSEMBLY PROCEDURE

■ Assembly to Frame

- (1) Assemble the derailleur bracket to the frame by means of the set bolt and nut. Then assemble the wheel to the frame.



- (2) When using direct attachment type, make sure contact is made between the derailleur stopper plate and fork end stopper. At that time, torque of bracket axle should be 80–100 kgfcm. (70–85 in-lbs.)

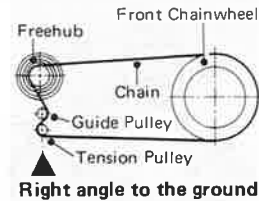


■ Chain Assembly

Note:

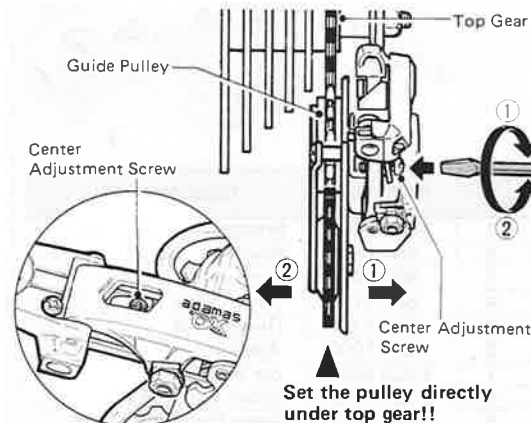
Adamas-AX rear derailleur should be used with a 28 teeth or less freehub low sprocket.

- Put the chain on the smallest sprocket of the freehub and on the largest sprocket of the front chainwheel. Adjust the length of the chain by checking that the center line connecting the rear derailleur guide pulley and the tension pulley is at right angles to the ground.

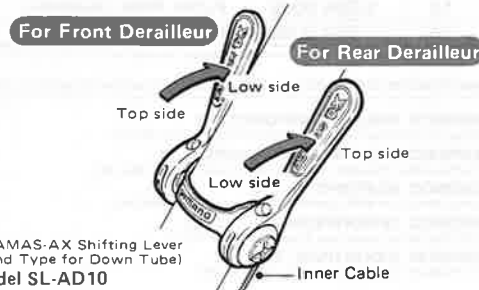


■ Cable Assembly

- (1) Turn the center adjustment screw to move the derailleur guide pulley directly under top gear. Then give a half turn in a clockwise direction to complete adjustment.

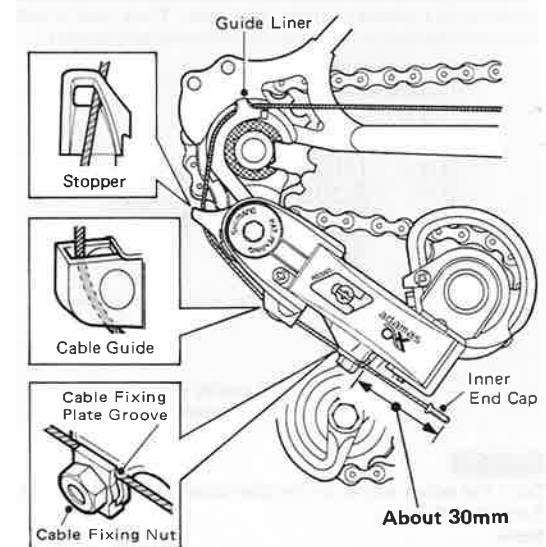


- (2) Before attaching the cable, be sure to push the shifting lever to the top side position.

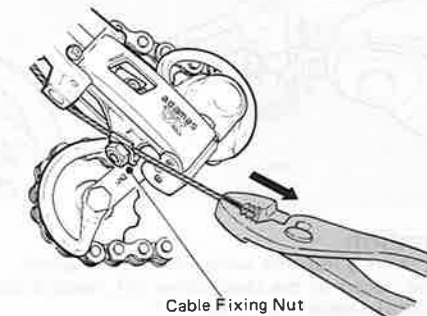


ADAMAS-AX Shifting Lever
(Band Type for Down Tube)
Model SL-AD10

- (3) Next, thread the inner cable into the guide liner hole, the stopper hole, the cable guide hole and cable fixing plate groove in that order.



- (4) Absorb cable slack with a pair of pliers. Then tighten the cable fixing nut. Cable fixing nut torque should be 40–60 kgfcm. (35–53 in-lbs.)



- (5) On completion of cable assembly, cut it about 30mm from cable fixing plate and then fit inner end cap.