

WARNING

- It is important to completely understand the operation of your bicycle's brake system. Improper use of your bicycle's brake system may result in a loss of control or an accident, which could lead to severe injury. Because each bicycle may handle differently, be sure to learn the proper braking technique (including brake lever pressure and bicycle control characteristics) and operation of your bicycle. This can be done by consulting your professional bicycle dealer and the bicycle's owners manual, and by practicing your riding and braking technique.
- Securely tighten the caliper brake mounting nuts to the specified tightening torque.
 - Use lock nuts with nylon inserts (self-locking nuts) for nut-type brakes.
 - For sunken nut type brakes, use sunken nuts of the appropriate length which can be turned six times or more; when re-installing, apply sealant (locking adhesive) to the nut threads.
 If the nuts become loose and the brakes fall off, they may get caught up in the bicycle and the bicycle may fall over. Particularly if this happens with the front wheel, the bicycle may be thrown forward and serious injury could result.
- Obtain, read and carefully service instructions when installing parts. A loose, worn, or damaged parts may cause injury to the rider. We strongly recommend that only genuine Shimano replacement parts be used.

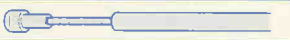
SERVICE INSTRUCTIONS

SI-8BZ0A

BR-3300 Caliper Brake

Before use, read these instructions carefully, and follow them for correct use.

In order to realize the best performance, we recommend that the following combination be used.

Series	SORA
Brake lever	ST-3300 / BL-R400
Caliper Brake	BR-3300
Brake cable	

Please note: Specifications are subject to change for improvement without notice. (English)

SHIMANO
SHIMANO AMERICAN CORPORATION
One Holladay Irvine, CA 92618 U.S.A. Phone 949-951-5003
SHIMANO EUROPA
Industrieweg 25 NL-8071 GT Nunspeet, Holland Phone 31-43412-72222
SHIMANO INC.
3-77 Oimatsubo, Sakai, Osaka, Japan Phone 0722-23-9243



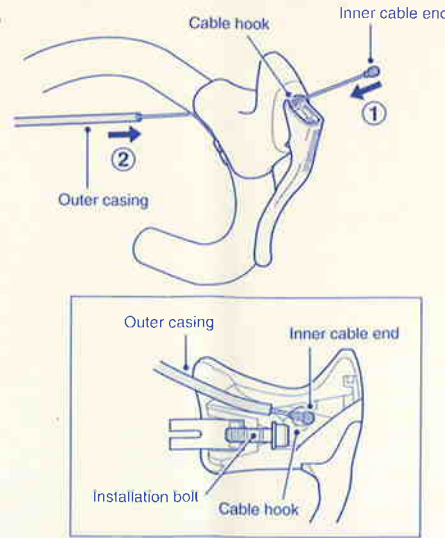
© Apr. 1999 by Shimano Inc. PIT. SZK. Printed in Malaysia

Installation of the brake lever

1.



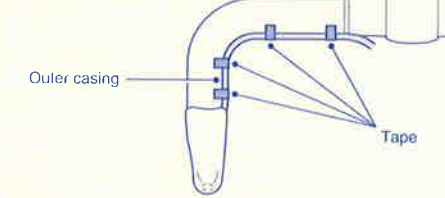
2.



Checking the outer casing

Check to be sure that the outer casing has been completely and correctly inserted.

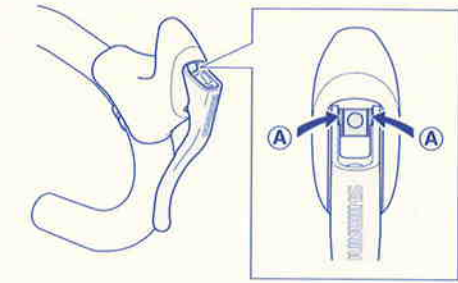
3. Temporarily secure the outer casing to the handlebar (by using tape or similar material).



4. Then wrap the handlebar with handlebar tape.

Note:

- Cut the cable at the length at which it is not pulled tight when the handlebar is turned all the way to the left and right.
- If a squeaking noise occurs after a long period of use, lubricate the (A) parts.

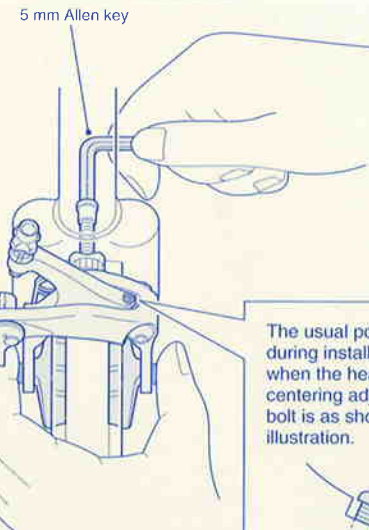


Installation of the brake

1. Installation of the brake itself

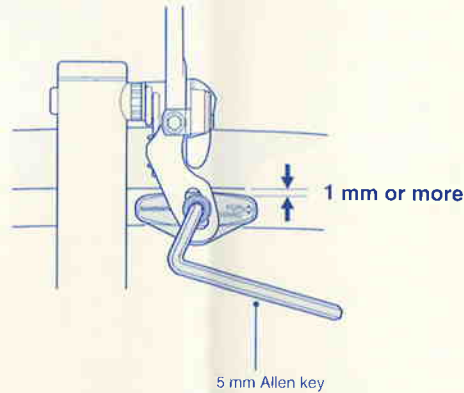
Compress the arch, and set while the shoe is in firm contact with the rim.

Tightening torque:
8 - 10 Nm
{69 - 87 in. lbs.}

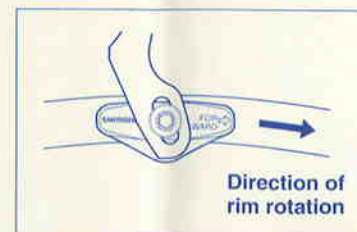


The usual position during installation is when the head of the centering adjustment bolt is as shown in the illustration.

2. Brake shoe setting position



Tightening torque:
5 - 7 Nm
{43 - 61 in. lbs.}



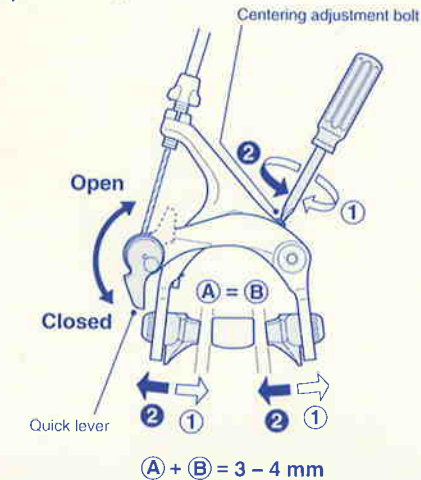
3. Cable connection

Set the quick lever to the closed position; then adjust the shoe clearance (as shown in the illustration below) and secure the cable.

Cable bolt tightening torque:
6 - 8 Nm {52 - 69 in. lbs.}

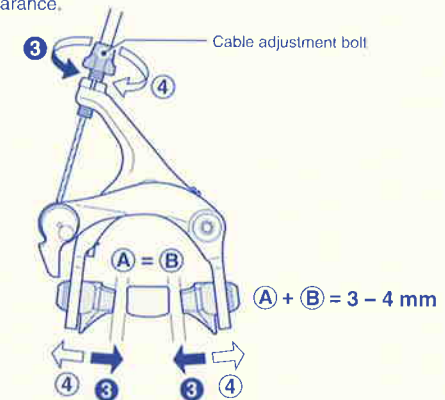
4. Centering of the brake shoe

Make a minor adjustment by using the centering adjustment bolt.



5. Readjustment of the shoe clearance

Turn the cable adjustment bolt to readjust the shoe clearance.



6. Check

Depress the brake lever about 10 times as far as the grip and check that everything is operating correctly and that the shoe clearance is correct before using the brakes.

