

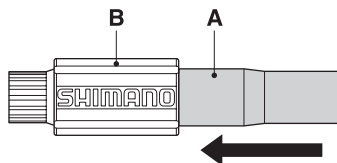
SM-CA70 SM-CA50

Cable adjuster

Recommended outer casing combination: OT-SP41 (SIS-SP41)

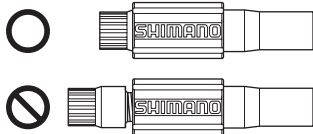
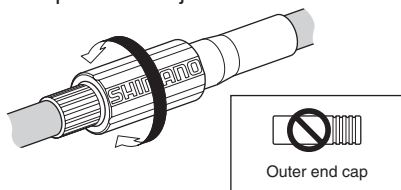
■ Installation to the bicycle

First, push (A) in the direction of the arrow as shown in the illustration, and then install to the cable.

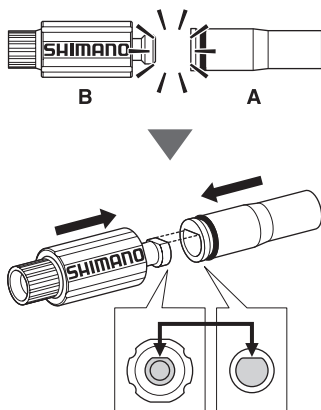


■ Adjustment method

Turn part B to adjust.



If A and B are separated



Make sure the B logo is facing the right way.



SHIMANO

SHIMANO AMERICAN CORPORATION

One Holland, Irvine, California 92618, U.S.A. Phone: +1-949-951-5003

SHIMANO EUROPE B.V.

Industrieweg 24, 8071 CT Nunspeet, The Netherlands Phone: +31-341-272222

* Service Instructions in further languages are available at :
<http://techdocs.shimano.com>

SHIMANO INC.

3-77 Oimatsu-cho, Sakai-ku, Sakai-shi, Osaka 590-8577, Japan

Please note: specifications are subject to change for improvement without notice. (English)

© May 2010 by Shimano Inc. XBC SZK Printed in Japan.