

## General Safety Information

### ⚠ WARNING

- Obtain, read and carefully service instructions when installing parts. A loose, worn, or damaged parts may cause injury to the rider. We strongly recommend that only genuine Shimano replacement parts be used.
- Read these Technical Service Instructions carefully, and keep them in a safe place for later reference.

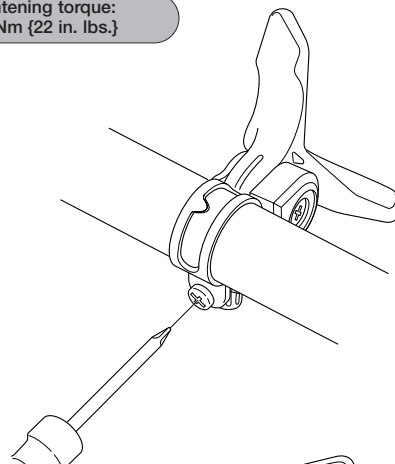
### Note

- Grease the inner cable and the inside of the outer casing before use to ensure that they slide properly.
- Because the high cable resistance of a frame with internal cable routing would impair the SIS function, this type of frame should not be used.
- Operation of the levers related to gear shifting should be made only when the front chainwheel is turning.
- Use an outer casing which still has some length to spare even when the handlebars are turned all the way to both sides. Furthermore, check that the shifting lever does not touch the bicycle frame when the handlebars are turned all the way.
- Parts are not guaranteed against natural wear or deterioration resulting from normal use.
- For maximum performance we highly recommend Shimano lubricants and maintenance products.
- For any questions regarding methods of installation, adjustment, maintenance or operation, please contact a professional bicycle dealer.

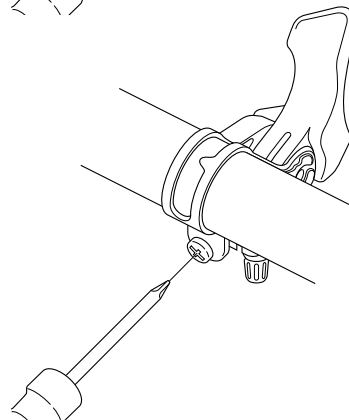
## Mounting the shifting lever

Tightening torque:  
2.5 Nm {22 in. lbs.}

< Front >



< Rear >



## Technical Service Instructions

SI-6DE0B

**SL-A050**

Shifting lever

In order to realize the best performance, we recommend that the following combination be used.

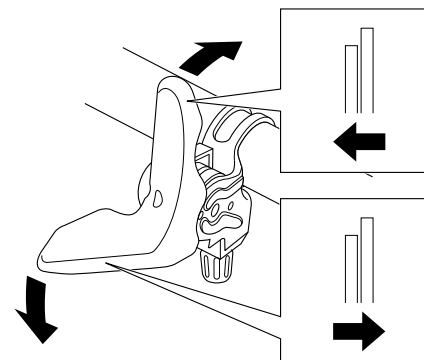
Shifting lever	SL-A050
Outer casing	SIS
Front derailleur	FD-A050
Front chainwheel	FC-A050
Bottom bracket	BB-UN25
Rear derailleur	RD-A050
Multiple Freewheel	MF-HG37
Chain	CN-HG50

## Specifications

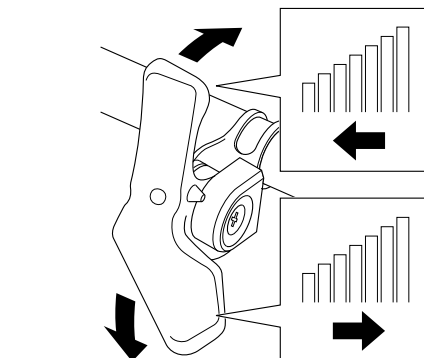
SL-A050	Front	Friction
	Rear	SIS 7-gears

## Gear shifting operation

< Front >



< Rear >



**SHIMANO®**

**SHIMANO AMERICAN CORPORATION**  
One Holland Irvine CA 92618 U.S.A. Phone 949-951-5003

**SHIMANO EUROPA**  
Industrieweg 24 NL-8071 CT Nunspeet Holland Phone 31-341-272222

Please note: specifications are subject to change for improvement without notice. (English)  
© Mar. 2003 by Shimano Inc. XBC SZK Printed in China