

General Safety Information

⚠ WARNING – To avoid serious injuries:

- Be sure to attach reflectors to the bicycle when riding at night. Do not continue riding the bicycle if the reflectors are dirty or damaged, otherwise it becomes more difficult for oncoming vehicles to see you.
- If you have any questions concerning your pedals, contact a professional dealer.
- Read these Technical Service Instructions carefully, and keep them in a safe place for later reference.

NOTE:

Parts are not guaranteed against natural wear or deterioration resulting from normal use.

SI-45Z0A-001

SM-PD61

Reflector

Technical Service Instructions

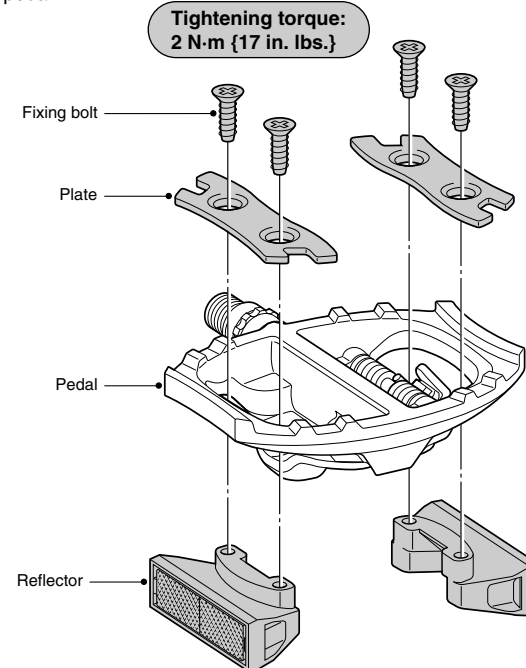
Note:

- These reflectors (SM-PD61) are for use with the PD-A530 pedals only.
- The reflectors can be installed to either the front or back of either a left or right pedal.

Installation

Position the reflectors on the pedal as shown in the illustration. Secure the reflectors with the fixing bolts and plates provided.

- * The illustration shows how to install the reflectors to the right pedal.



Please note: Specifications are subject to change for improvement without notice. (English)

SHIMANO

SHIMANO AMERICAN CORPORATION

One Holland, Irvine, California 92618, U.S.A. Phone: +1-949-951-5003

SHIMANO EUROPE B.V.

Industrieweg 24, 8071 CT Nunspeet, The Netherlands Phone: +31-341-272222

SHIMANO INC.

3-77 Oimatsu-cho, Sakai-ku, Sakai, Osaka 590-8577, Japan