
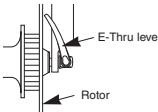


General Safety Information

⚠ WARNING

- The HB-M988 front hub is not designed for downhill bicycle riding and freeriding. However, depending on the riding condition, The hub axle could develop a crack, which may result in failure of the hub axle. This can lead to an accident that could result in serious injury or even death. Before riding, you should carefully check your hubs to make sure that there are no cracks in the axles, and if you find any sign of a crack or any other unusual condition, do NOT use the bicycle.
- The HB-M988 can be used in combination with a special front fork and the E-Thru. If it is used in combination with any other front fork or fixed axle, it may cause the wheel to become detached from the bicycle while you are riding and result in serious bodily injury.
- The securing method and tightening torque for the front wheel both vary depending on the type of front suspension fork being used. When installing the front wheel to the front suspension fork, always be sure to follow the directions given in the Service Instructions for the front suspension fork. If the directions are not followed, the front wheel may fall out of the front suspension fork and serious injury may result.
- Please use extra caution to keep your fingers away from the rotating disc brake rotor during installing or servicing the wheel. The rotor is sharp enough to inflict severe injury to your fingers if caught within the openings of moving rotor. 
- The calipers and rotor will become hot when the brakes are operated, so do not touch them while riding or immediately after dismounting from the bicycle, otherwise you may get burned. Check that the brake components have cooled down sufficiently before attempting to adjust the brakes.
- Always make sure that the front and rear brakes are working correctly before you ride the bicycle.
- Be careful not to allow any oil or grease to get onto the rotor and brake pads, otherwise the brakes may not work correctly.
- If any oil or grease do get on the pads, you should replace the pads. If any oil or grease gets on the rotor, you should clean the rotor. If this is not done, the brakes may not work correctly.
- If the E-Thru lever is on the same side as the rotor, there is the danger that it may interfere with the rotor, so check that it does not interfere. 
- Check that the wheels are fastened securely before riding the bicycle. If the wheels are loose in any way, they may come off the bicycle and serious injury may result.
- Obtain and read the service instructions carefully prior to installing the parts. Loose, worn or damaged parts may cause the bicycle to fall over and serious injury may occur as a result. We strongly recommend only using genuine Shimano replacement parts.
- Read these Technical Service Instructions carefully, and keep them in a safe place for later reference.
- Be sure to carefully read the Service Instructions for the disc brakes also.

⚠ NOTICE

- When using the special tool (TL-FC36) to remove and install the rotor mounting ring, be careful not to touch the outside of the rotor with your hands. Wear gloves to protect your hands from getting cut.

■ Burn-in period

- Disc brakes have a burn-in period, and the braking force will gradually increase as the burn-in period progresses. Make sure that you are aware of any such increases in braking force when using the brakes during the burn-in period. The same thing will happen when the brake pads or rotor are replaced.

Note

- If the brake caliper mounting boss and the dropout are not parallel, the rotor and caliper may touch.
- If the rotor is worn, cracked or warped, it should be replaced.
- Parts are not guaranteed against natural wear or deterioration resulting from normal use.
- For maximum performance we highly recommend Shimano lubricants and maintenance products.

Technical Service Instructions

SI-27X0A-002

HB-M988

Front hub

In order to realize the best performance, we recommend that the following combination be used.

Series	XTR
Caliper	BR-M985
Brake Lever	BL-M985
Rotor	SM-RT98

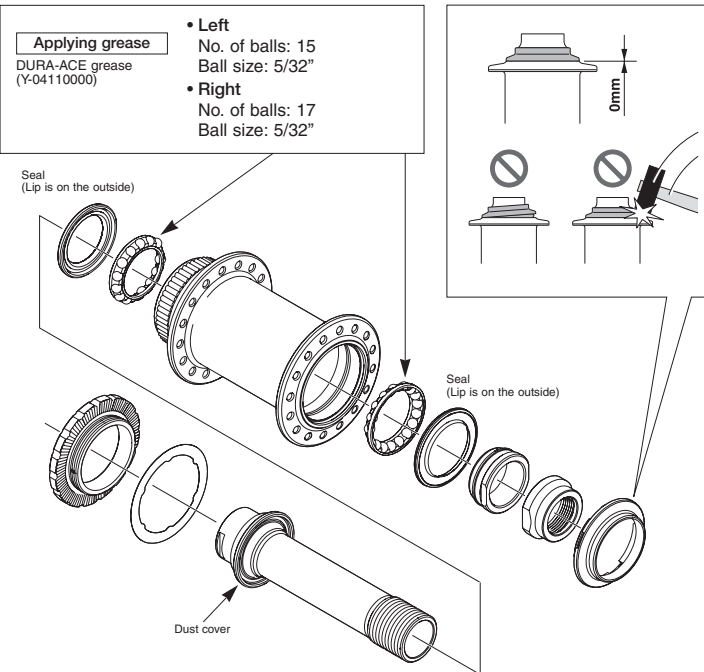
Specifications

Front hub

Model No.	HB-M988
No. of spoke holes	32

Maintenance

These units can be disassembled as shown in the illustrations. Grease should be applied to each part at periodic intervals.

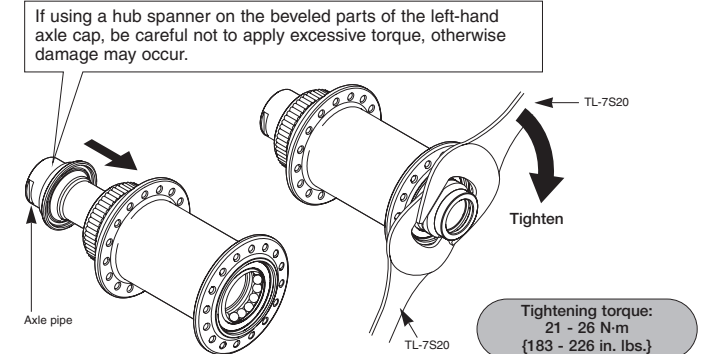


Note:

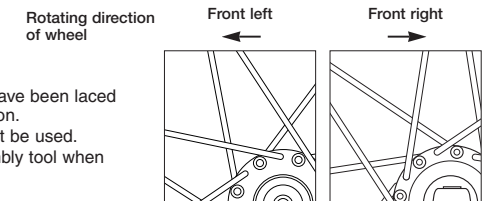
- It cannot be disassembled from the left side of the hub (the side with the fixed rotor serrations).
- When removing and installing the seal, do it very carefully so that the seal does not become bent. When reinstalling the seal, make sure that it is facing the right way, and insert it as far as it will go.
- Do not disassemble the dust cover which is crimped onto the Left hand axle cap.

< Assembly >

Install the axle pipe, and then use the special tools to tighten the lock nut so as to double-lock the mechanism as shown in the illustration.



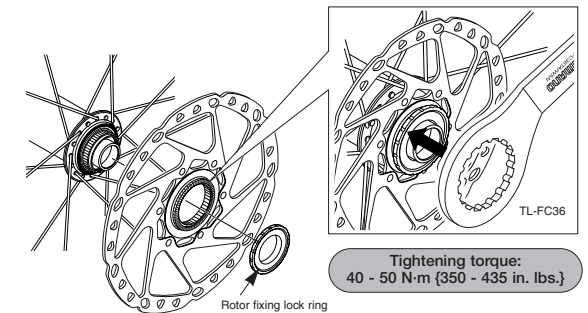
Wheel spoke lacing



Installation of the rotor

⚠ NOTICE

When using the special tool (TL-FC36) to remove and install the rotor mounting ring, be careful not to touch the outside of the rotor with your hands. Wear gloves to protect your hands from getting cut.



SHIMANO

SHIMANO AMERICAN CORPORATION
One Holland, Irvine, California 92618, U.S.A. Phone: +1-949-951-5003

SHIMANO EUROPE B.V.
Industrieweg 24, 8071 CT Nunspeet, The Netherlands Phone: +31-341-272222

SHIMANO INC.
3-77 Oimatsu-cho, Sakai-shi, Osaka 590-8577, Japan

* Service Instructions in further languages are available at :
<http://techdocs.shimano.com>

Please note: specifications are subject to change for improvement without notice. (English)
© Nov. 2010 by Shimano Inc. XBC SZK Printed in Japan.