

FC-1056
FC-1057
FC-A551
FC-A415

Front Chainwheel

Before use, read these instructions carefully, and follow them for correct use.

Product specifications

Model number	FC-1056 / FC-A551	FC-A415	FC-1057
Bolt circle diameter	130 mm		130 mm / 74 mm
Applicable chain	CN-HG50 / CN-HG70		
Chainwheel teeth	A 52/42 B 53/39	52 - 42	A 52/42/30
Crank length	165 mm, 170 mm, 175 mm		
Pedal threads	BC 9/16" X 20T.P.I. (English thread)		
Bottom bracket	BB-UN52		
Bottom bracket cup thread dimensions (Shell width)	BC 1.37" X 24 T.P.I. (68 mm), M36 X 24 T.P.I. (70 mm)		
Chain line	43.5 mm	45.0 mm	
B.B. spindle	107 mm (MM107)	118 mm (XL118)	

Note

- Apply grease to the bottom bracket before installing it.
- To ensure the best performance, be sure to use only the specified type of chain. The wide type of chain cannot be used.
- For any questions regarding methods of installation, adjustment, maintenance or operation, please contact a professional bicycle dealer.



These service instructions are printed on recycled paper and can be recycled again.

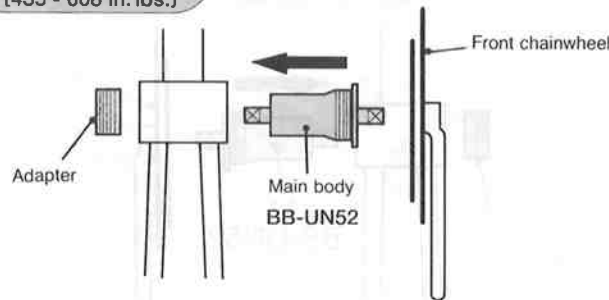


SHIMANO AMERICAN CORPORATION
 One Shimano Drive P.O. Box 19915 Irvine, California U.S.A. 92620-9915 Phone 714-951-5003
 SHIMANO EUROPA
 Industrieweg 24 NL-5271 CT Hunsbeek Holland Phone 31-3412-72222 77 Omatsu-cho 3-cho Sakai Osaka 590-77 Japan Phone 0722-23-5243
 SHIMANO INC.
 Please note: specifications are subject to change for improvement without notice, (English)
 © Jul. 1997 by Shimano Inc. XBC SZK Printed in Japan.

Installation of the bottom bracket

Install using the special tool TL-UN74. First install the main body, then the adapter.

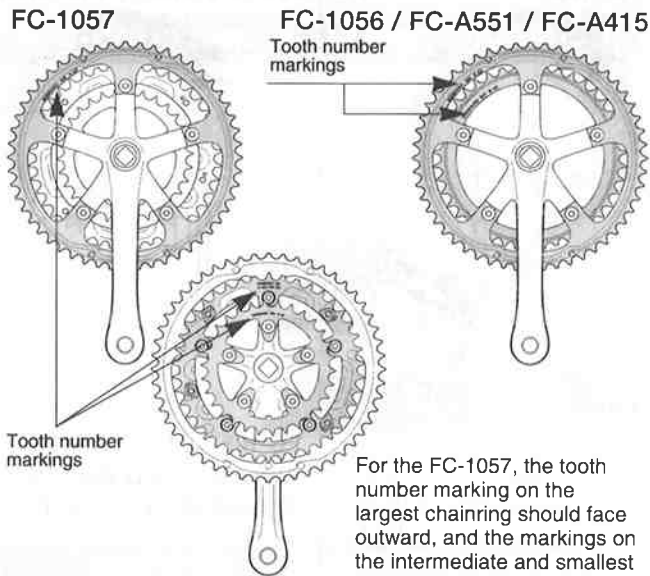
Tightening torque:
 50 - 70 Nm
 {435 - 608 in. lbs.}



Installation of the chain rings

Smooth shifting will not be possible if the chain rings are incorrectly installed, so be sure to install them in the correct positions.

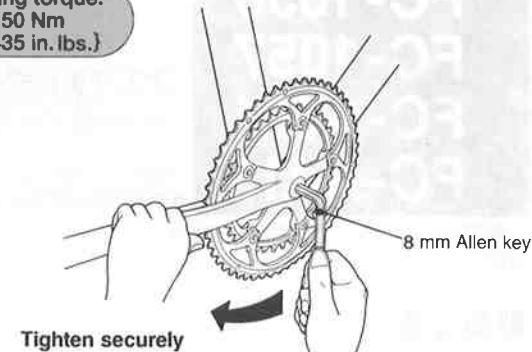
For both the large and small chainrings, the surfaces that have the tooth number markings should face outward. Install so that the markings are in the positions shown in the illustration.



For the FC-1057, the tooth number marking on the largest chainring should face outward, and the markings on the intermediate and smallest chainrings should face inward.

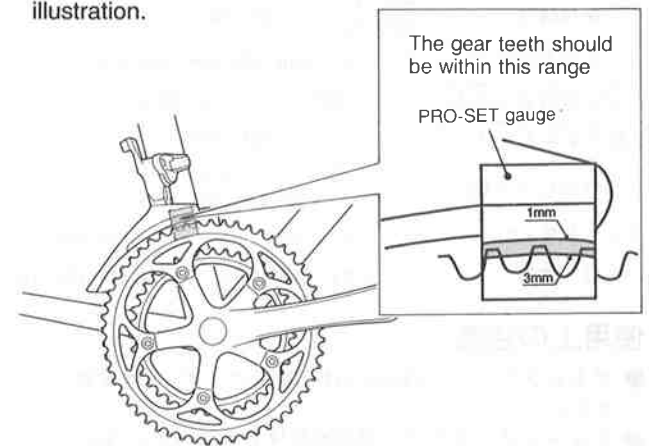
Installation of the front chainwheel

Tightening torque:
 35 - 50 Nm
 {305 - 435 in. lbs.}



Installation to the frame

1. Install and then adjust the front derailleur as shown in the illustration.



2. The level section of the chain guide outer plate should be directly above and parallel to the largest chainring.
3. Adjust the derailleur using a 5 mm Allen key.

Tightening torque:
 5 - 7 Nm
 {44 - 60 in. lbs.}

