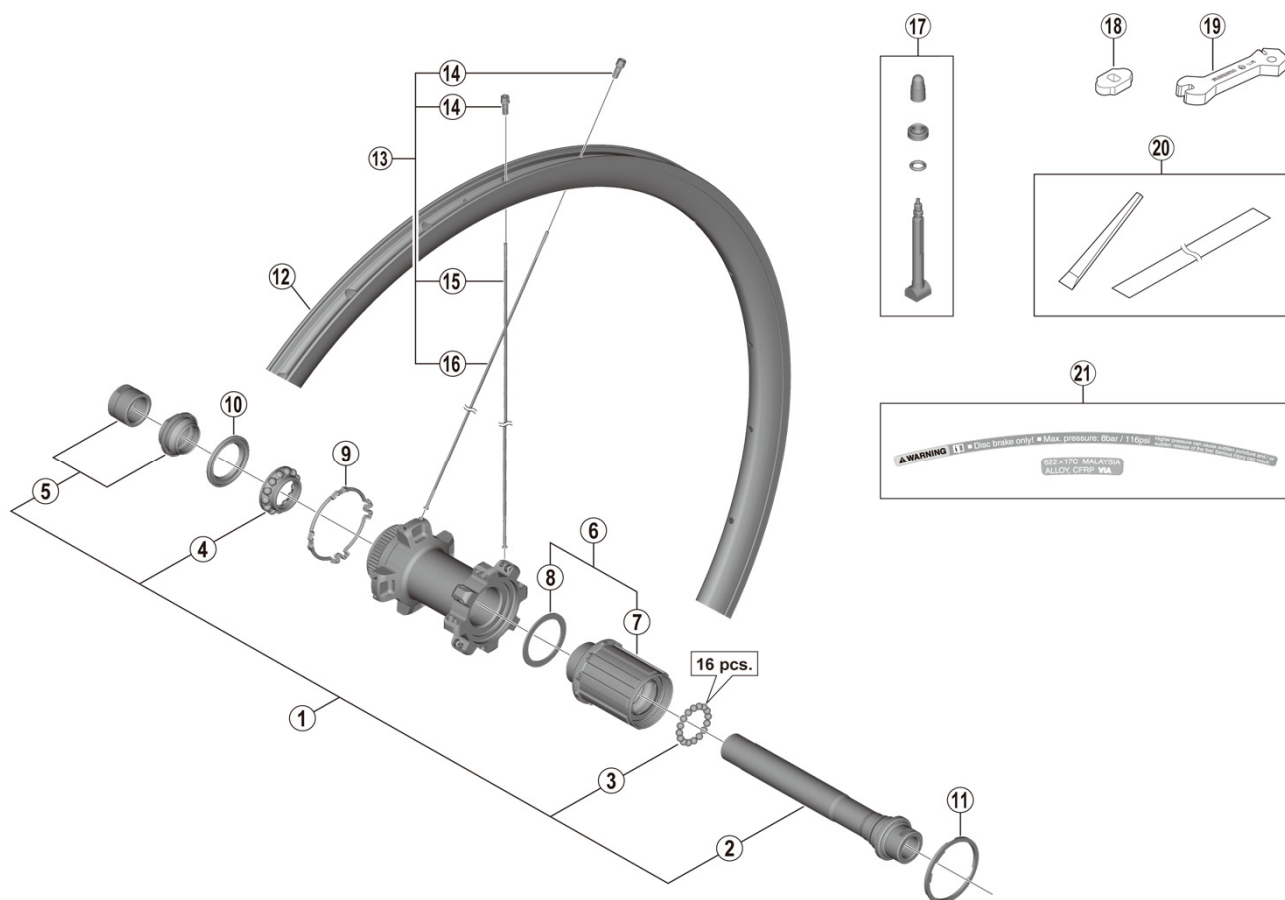


# Rear Wheel WH-RS770-C30-TL-R12



• Over Lock Nut Dimension: 142 mm

FH-RS770

ITEM NO.	SHIMANO CODE NO.	DESCRIPTION	INTERCHANGEABILITY	
1	Y3EX98010	Complete hub axle	A	
2	Y0AZ98020	Hub axle unit	A	
3	Y4BR98130	Steel ball (5/32") 34 pcs.	A	
4	Y0AZ98030	Ball retainer (3/16")	A	
5	Y3EX98020	Left hand lock nut and cone with dust cover	A	
6	Y3EX98030	Complete freewheel body	A	
7	Y3EX98040	Freewheel body unit	A	
8	Y3CZ12000	Freewheel body washer	A	
9	Y0AZ09000	Left hand spoke cover		
10	Y27X14000	Left hand seal ring	A	
11	Y4T724000	Low spacer (1.85 mm)		
12	EWHRIMZ2F5R	Rim {24H}		
13	EWHSPOKEY273A	Spoke unit {spoke (289.5 mm x 16 pcs. / 270 mm x 8 pcs.) / nipple (24 pcs.)}		
14	Y4SYN1000	Nipple		
15	Y0D4S1000	Right hand spoke (289.5 mm)		
16	Y0D5S1000	Left hand spoke (270 mm)		
17	Y0D498010	Valve unit		
18	Y4RJ10000	Valve tool		
19	Y4SY11000	Nipple wrench 3.75		
* 20	Y0AN98040	Tubeless tape with spatula		
21	Y0D498020	Rim sticker unit		

A: Same parts.

B: Parts are usable, but differ in materials, appearance, finish, size, etc.

Absence of mark indicates non-interchangeability.

Specifications are subject to change without notice.

Jun.-2021-4239C

© Shimano Inc. I

# SHIMANO