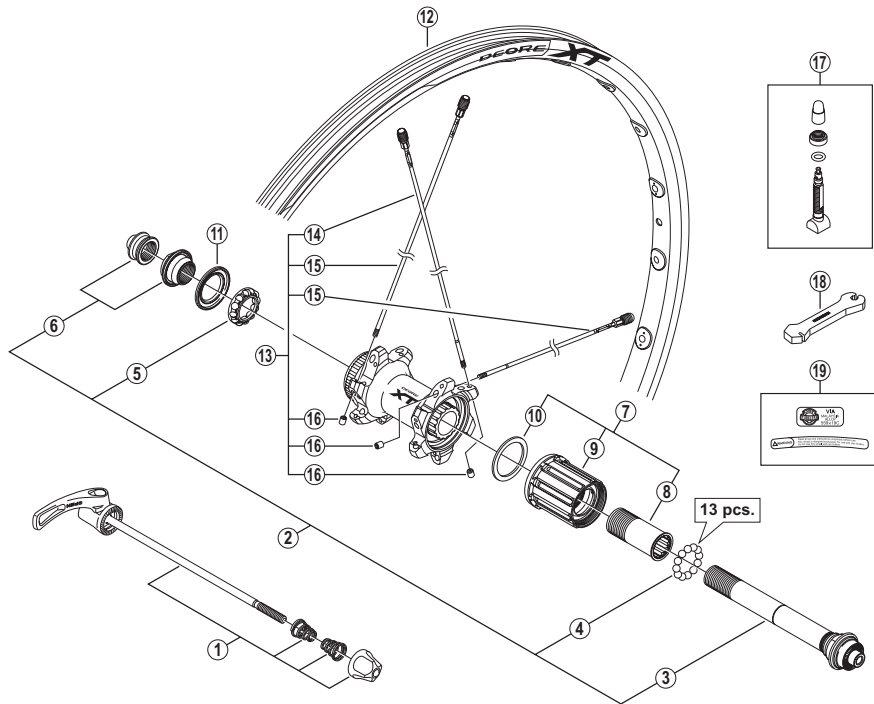


DEORE XT Rear Wheel (9/10-Speed)
WH-M785-R / R-275 / R-29



WH-M785-R

ITEM NO.	SHIMANO CODE NO.	DESCRIPTION	INTERCHANGEABILITY
1	Y3TG98010	Complete Quick Release 168 mm (6-5/8")	B
	Y3TG98020	Complete Quick Release 173 mm (6-13/16")	B
2	Y3TG98030	Complete Hub Axle	
3	Y3CZ98020	Hub Axle Unit	
4	Y00091210	Steel Ball (3/16") 20 pcs.	B
5	Y26J98030	Ball Retainer (3/16")	
6	Y3TG98040	Left Hand Lock Nut (M14) & Cone (M14) w/Dust Cover	
7	Y3CZ98040	Complete Freewheel Body w/Body Fixing Bolt	B
8	Y3CZ18000	Body Fixing Bolt	B
9	Y3CZ98050	Freewheel Body Unit	B
10	Y3CZ12000	Freewheel Body Washer	B
11	Y26D10000	Seal Ring	A
* 12	EWHRIM2UDBC	Rim for WH-M785-R {24H}	
	EWHRIM3VDBC	Rim for WH-M785-R-275 {24H}	
	EWHRIM3ADBC	Rim for WH-M785-R-29 {24H}	
* 13	EWHSPOKE2UB1	Spoke Unit for WH-M785-R {Spoke (270 mm x 6 pcs. & 272 mm x 18 pcs.) / Spoke Plug (24 pcs.) / Washer (24 pcs.) / Hub Nut (24 pcs.)}	
	EWHSPOKE2EB1	Spoke Unit for WH-M785-R-275 {Spoke (282 mm x 6 pcs. & 285 mm x 18 pcs.) / Spoke Plug (24 pcs.) / Washer (24 pcs.) / Hub Nut (24 pcs.)}	
	EWHSPOKE2XB1	Spoke Unit for WH-M785-R-29 {Spoke (299 mm x 6 pcs. & 301 mm x 18 pcs.) / Spoke Plug (24 pcs.) / Washer (24 pcs.) / Hub Nut (24 pcs.)}	
* 14	Y4S198040	Spoke (270 mm) w/Plug & Washer for WH-M785-R	
	Y43L98020	Spoke (282 mm) w/Plug & Washer for WH-M785-R-275	
	Y4RD98020	Spoke (299 mm) w/Plug & Washer for WH-M785-R-29	
* 15	Y4S198030	Spoke (272 mm) w/Plug & Washer for WH-M785-R	
	Y43N98010	Spoke (285 mm) w/Plug & Washer for WH-M785-R-275	
	Y4RD98040	Spoke (301 mm) w/Plug & Washer for WH-M785-R-29	
16	Y4G308100	Hub Nut	A
17	Y4G398030	Valve Unit	A
18	Y4DA09000	Spoke Plug Wrench	A
* 19	Y4S198050	Rim Sticker Unit for WH-M785-R	
	Y43L98030	Rim Sticker Unit for WH-M785-R-275	
	Y4RD98030	Rim Sticker Unit for WH-M785-R-29	

A: Same parts.

B: Parts are usable, but differ in materials, appearance, finish, size, etc.
 Absence of mark indicates non-interchangeability.

Sep.-2013-3188C
 © Shimano Inc. I

Specifications are subject to change without notice.

SHIMANO