

SHIMANO®

SHIMANO EUROPA
 Industrieweg 24 NL-8071 CT Nunspeetâ Holland
 Phone 31-3412-72222

SHIMANO AMERICAN CORPORATION
 One Holland Irvine CA 92618 U.S.A.
 Phone 949-951-5003

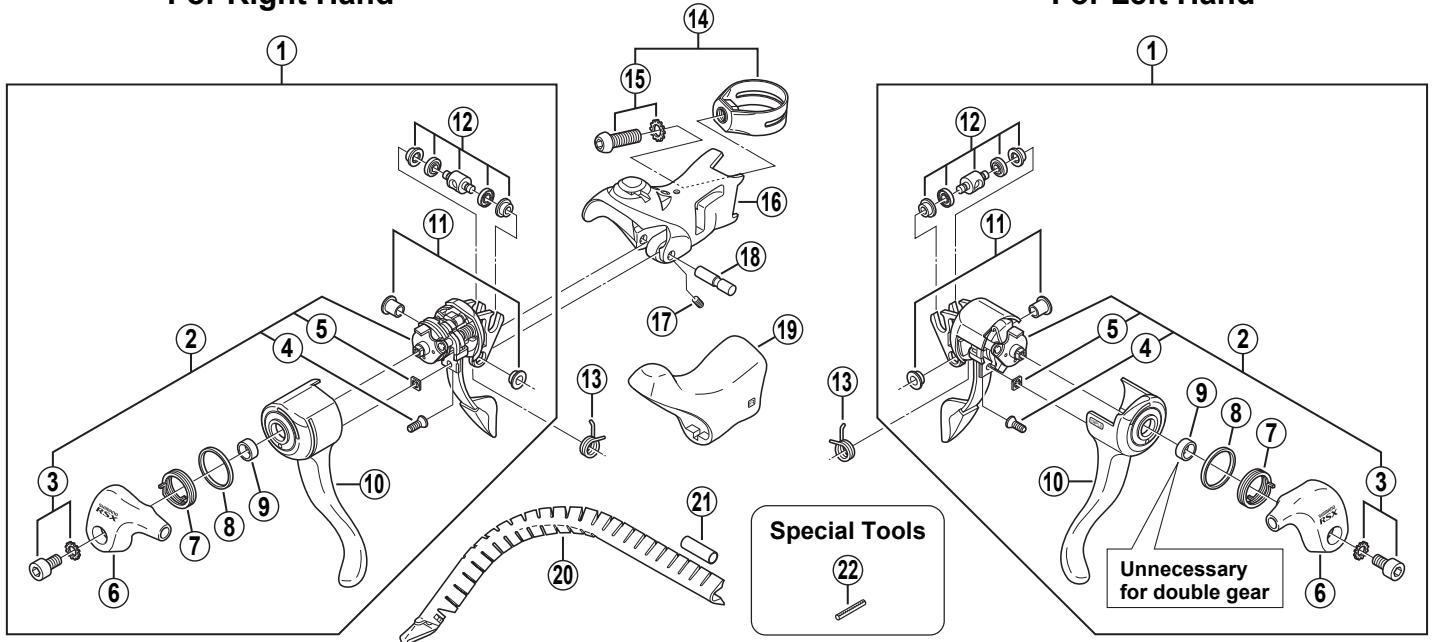
Spare parts list for after market.

- You may photocopy this sheet and use it as an order form.
- Sie können dieses Blatt kopieren und als Bestellformular verwenden.
- Vous pouvez photocopier cette feuille et l'utiliser comme bon de commande.
- Dit blad kan gecopieerd en als bestelformulier gebruikt worden.
- Potete fotocopiare questo foglio e usarlo come modulo di commissione.

SHIMANO RSX Dual Control Lever **ST-A416** **ST-A417** Double Gear Triple Gear

For Right Hand

For Left Hand



Q'TY	ITEM NO.	SHIMANO CODE NO.	DESCRIPTION
	1	Y-6CB98010	R.H. Main Lever Assembly
		Y-6CB98020	L.H. Main Lever Assembly for Double Gear
		Y-6CC98010	L.H. Main Lever Assembly for Triple Gear
	2	Y-6CB98030	R.H. Release Lever Unit & Small Parts
		Y-6CB98040	L.H. Release Lever Unit & Small Parts for Double Gear
		Y-6CC98020	L.H. Release Lever Unit & Small Parts for Triple Gear
	3	Y-65E 98050	Cap Fixing Bolt (M5 x 10) & Teethed Washer
	4	Y-66E 32000	Release Lever Fixing Screw
	5	Y-66E 46000	Non-Turn Washer
	6	Y-65F 56200	R.H. Outer Support Cap
		Y-65F 02200	L.H. Outer Support Cap for Double Gear
		Y-65F 08100	L.H. Outer Support Cap for Triple Gear
	7	Y-66E 73000	R.H. Main Lever Return Spring
		Y-66E 40000	L.H. Main Lever Return Spring for Double Gear
		Y-6AE16000	L.H. Main Lever Return Spring for Triple Gear
	8	Y-66E 75000	Main Lever Ring for R.H./L.H. Triple Gear
		Y-66E 16000	Main Lever Ring for L.H. Double Gear
	9	Y-66E 88000	Main Lever Spacer for R.H./L.H. Triple Gear
	10	Y-6CB98050	R.H. Main Lever
		Y-6CB98060	L.H. Main Lever for Double Gear
		Y-6CC98030	L.H. Main Lever for Triple Gear
	11	Y-85Z 98010	Lever Axle Bush Unit
	12	Y-85Z 98020	Cable Hook Unit
	13	Y-87G09000	R.H. Return Spring
		Y-87G10000	L.H. Return Spring
	14	Y-8TK98010	Clamp Band Unit (φ23.8 mm -- φ24.2 mm)
	15	Y-67D 98190	Clamp Bolt (M6 x 18) & Teethed Washer
	16	Y-8TK98030	R.H. Bracket
		Y-8TK98040	L.H. Bracket
	17	Y-884 14000	Lever Axle Fixing Screw
	18	Y-87G05000	Lever Axle
	19	Y-85Z 98050	Bracket Covers (Pair)
	20	Y-86B 90010	Outer Cable Guide
	21	Y-877 11000	Outer Cable Joint (Option)
	22	Y-130 03100	Return Spring Installation Tool (TL-ST02)