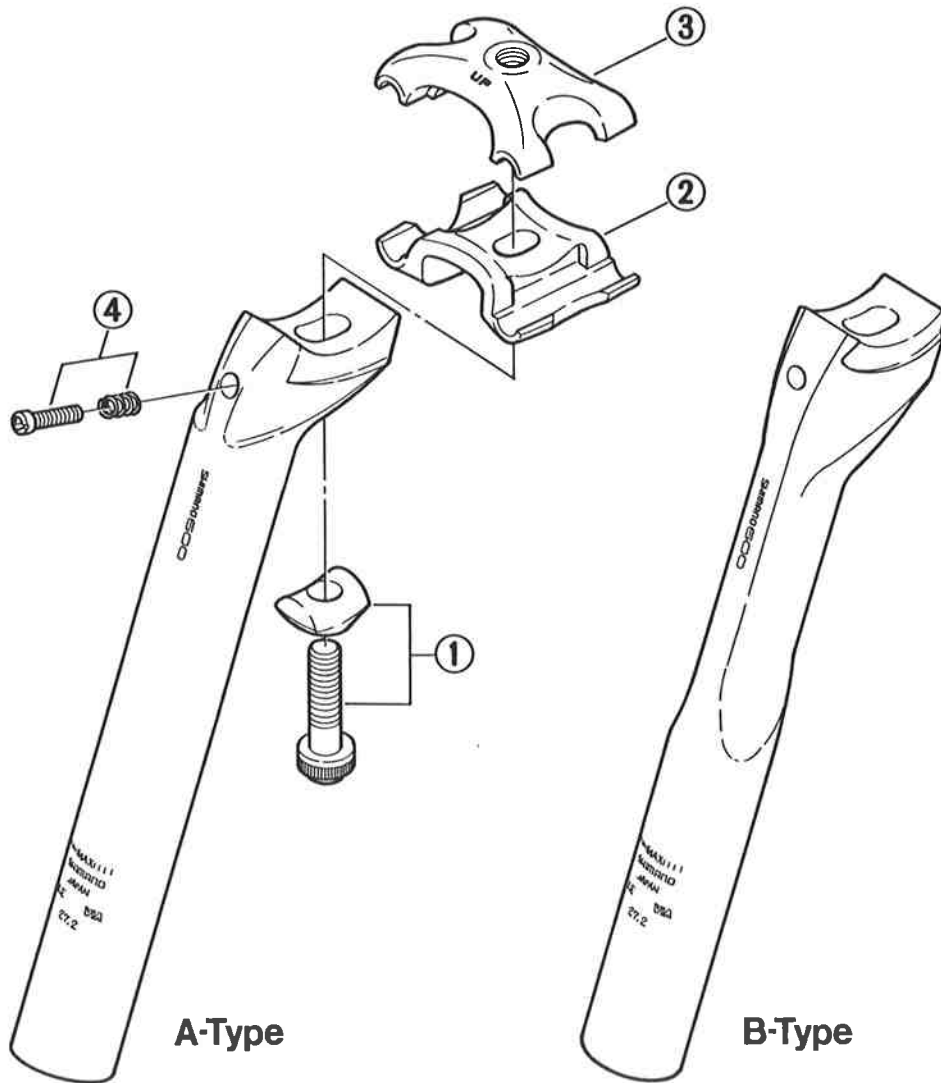


- You may photocopy this sheet and use it as an order form.
- Sie können dieses Blatt kopieren und als Bestellformular verwenden.
- Vous pouvez photocopier cette feuille et l'utiliser comme bon de commande.
- Dit blad kan gecopieerd en als bestelformulier gebruikt worden.
- Potete fotocopiare questo foglio e usarlo come modulo di commissione.

**SP-6400-A** Seat Pillar SHIMANO 600 Ultegra (A-Type)  
**SP-6400-B** Seat Pillar SHIMANO 600 Ultegra (B-Type)



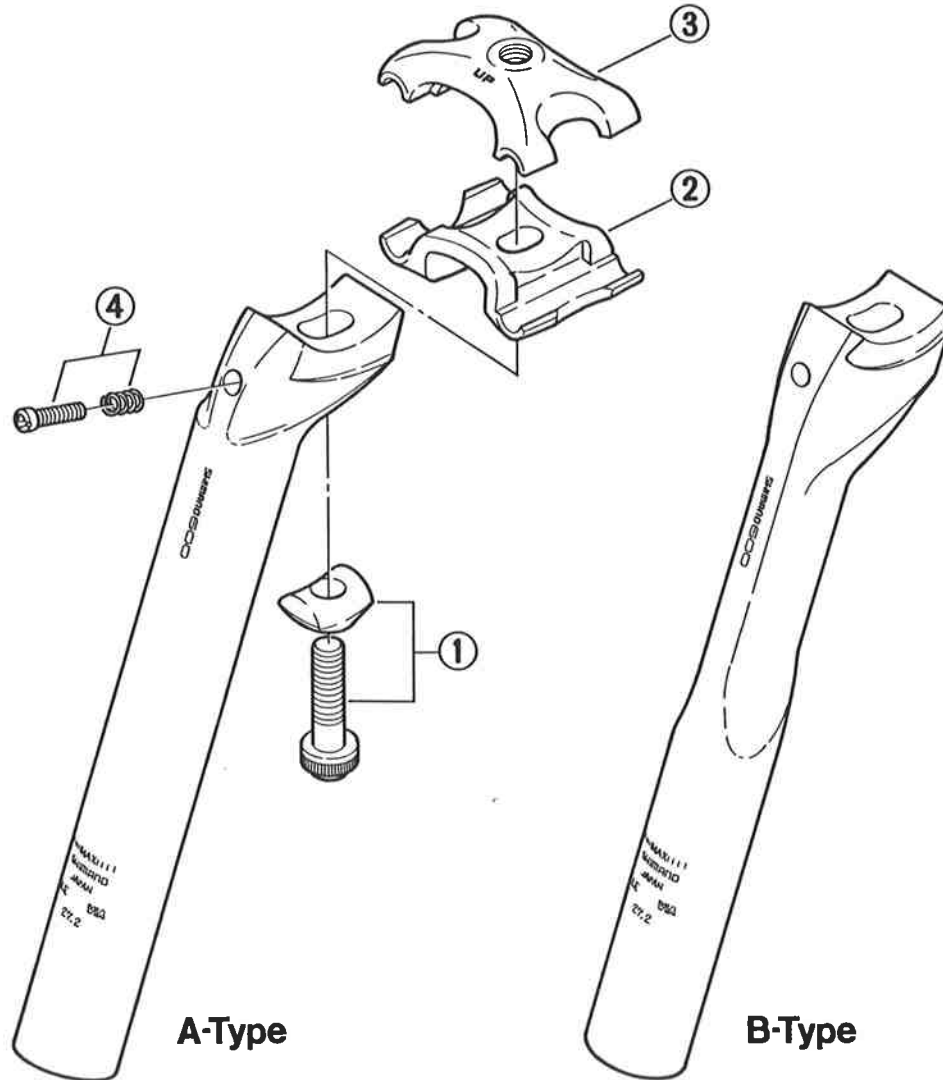
ITEM NO.	PART NO.	DESCRIPTION	Q'TY
1	3-482 9801	Fixing Bolt & Washer	
2	483 0300	Lower Plate	
3	483 0400	Upper Plate	
4	3-482 9001	Adjusting Bolt (M4) & Spring	

Printed in Japan 8708-E842

You may photocopy this sheet and use it as an order form.

**SP-6400-A** Seat Pillar SHIMANO 600 Ultegra (A-Type)

**SP-6400-B** Seat Pillar SHIMANO 600 Ultegra (B-Type)



ITEM NO.	PART NO.	DESCRIPTION	Q'TY
1	482 9801	Fixing Bolt & Washer	
2	483 0300	Lower Plate	
3	483 0400	Upper Plate	
4	482 9001	Adjusting Bolt (M4) & Spring	

Printed in Japan 8708-U842